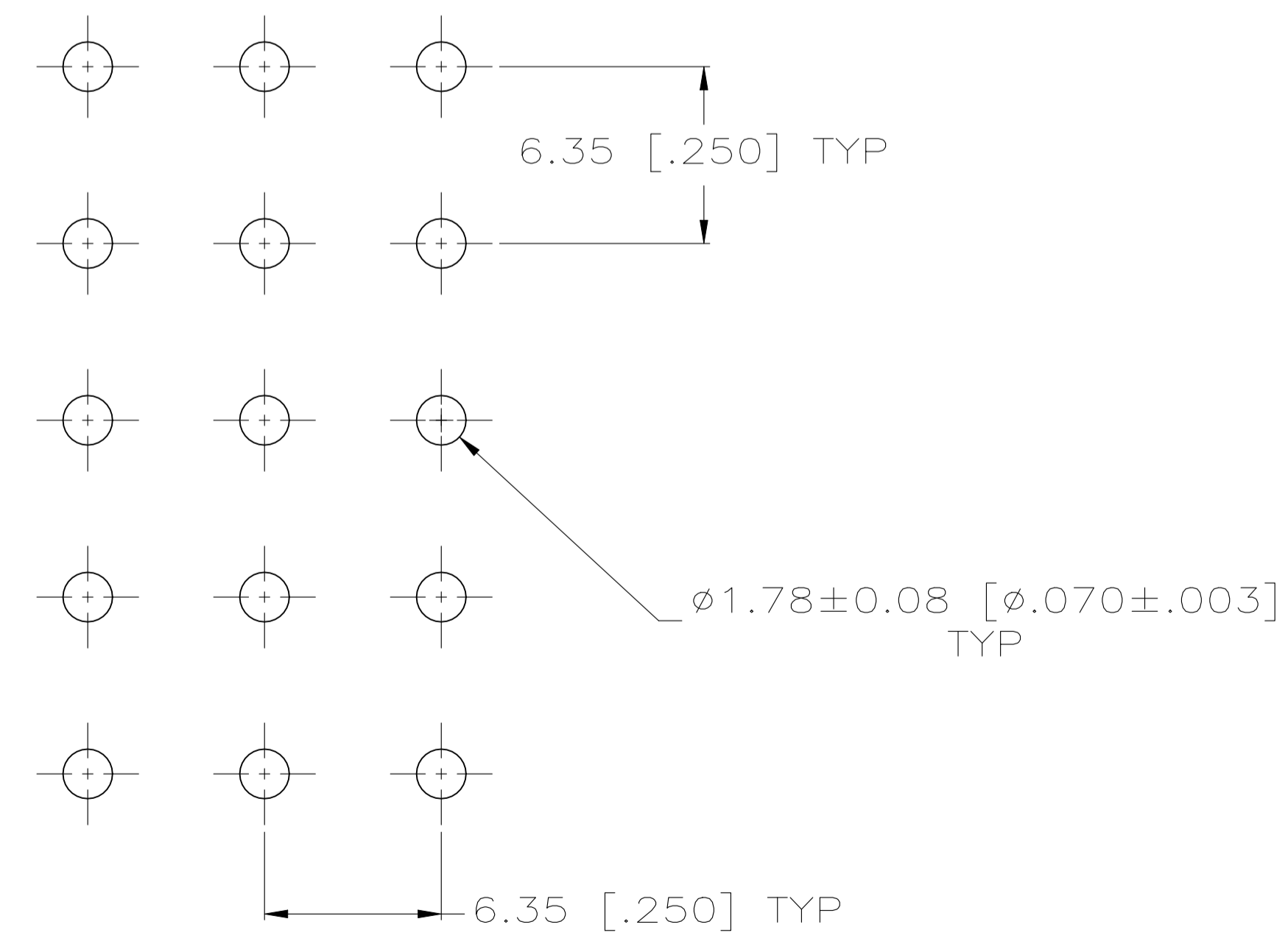
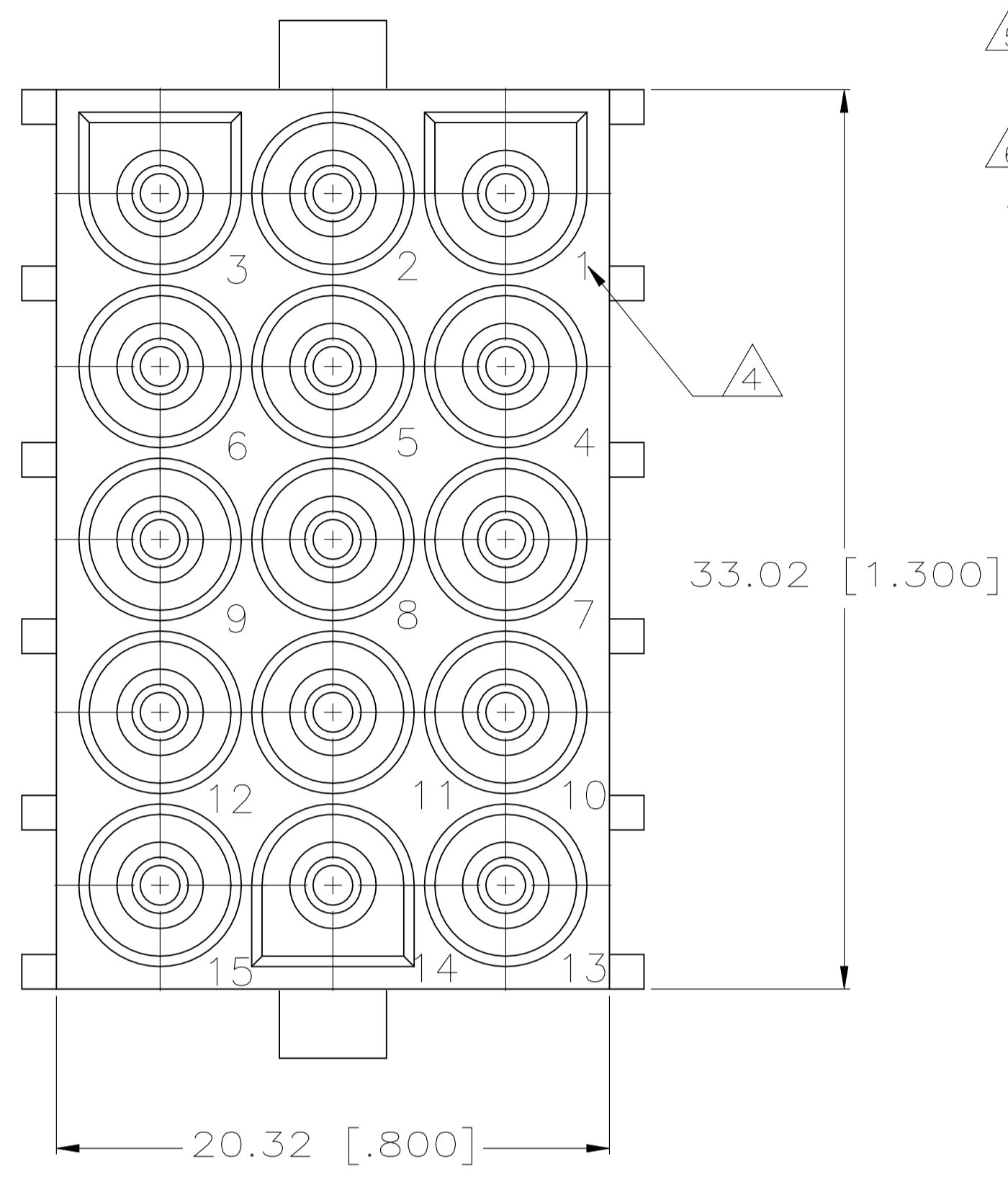
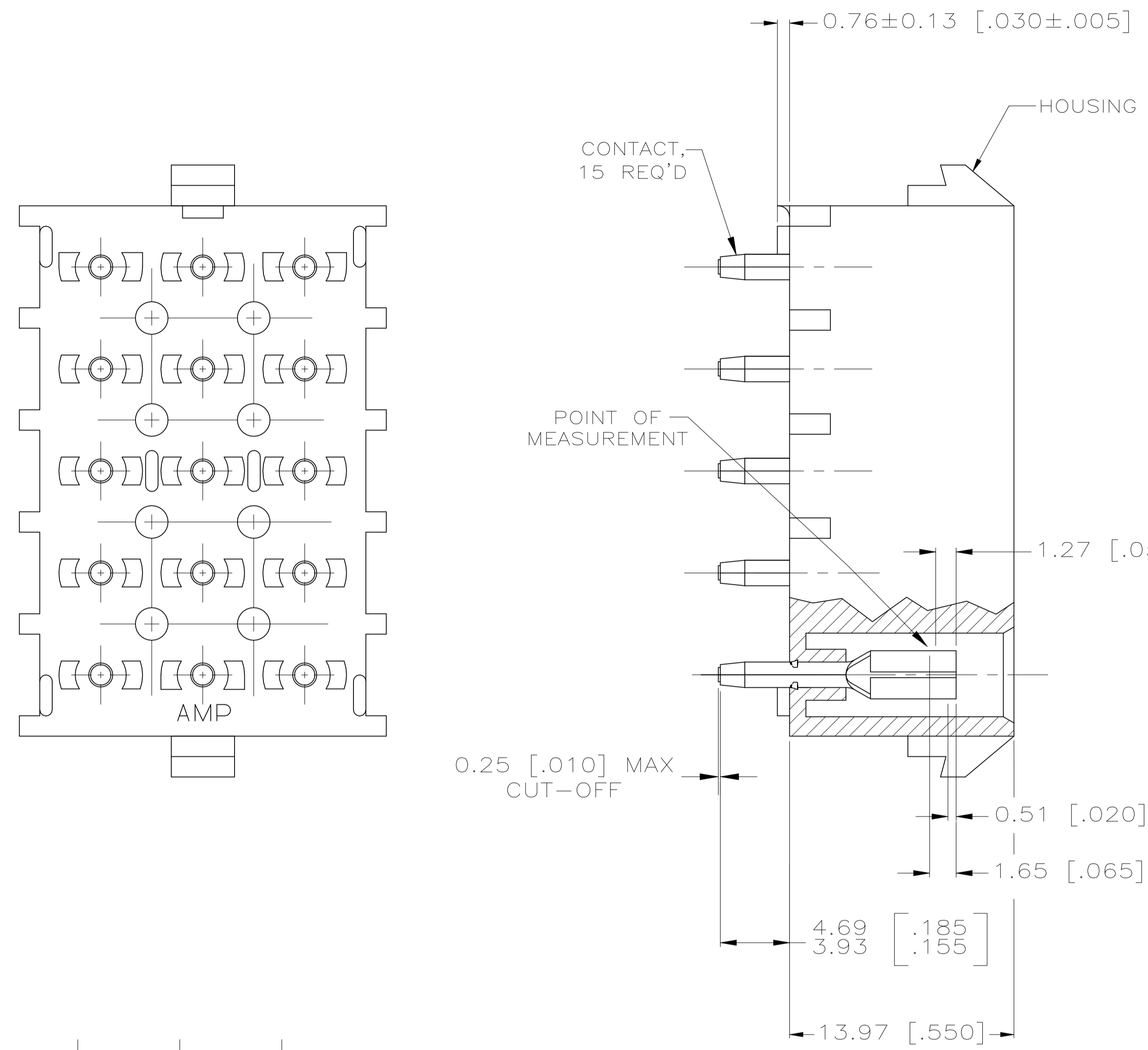


REVISIONS					
REV	DATE	DESCRIPTION	BY	CHK	APP'D
P2	28JUL2022	REVISED PER ECR-21-118795	SK	VS	

- 1 PARTS MUST COMPLY WITH AMP SOLDERABILITY SPEC 109-11-3.
- 2 CONTACT IS STAMPED FROM PRE-PLATED STOCK WHICH IS PLATED OVERALL WITH 0.00127 [.000050] NICKEL, THEN STRIPED WITH 0.00076 [.000030] GOLD IN CONTACT AREA INDICATED AND TIN-LEAD ON SOLDER TAIL END.
- 4 CIRCUIT IDENTIFICATION CHARACTERS ARE ADJACENT TO THE INDICATED CAVITIES, BUT LOCATION AND ORIENTATION MAY DIFFER FROM PRINT.
- 5 CONTACT IS PLATED OVERALL WITH 0.00127 [.000050] NICKEL, THEN 0.00076 [.000030] GOLD OVER CONTACT LENGTH INDICATED AND MATTE TIN ON SOLDER TAIL END.
- 6 SUPERSEDED BY 350830-4
- 7 DIMENSIONS WITH REPRESENT PRODUCT IN DRY CONDITION. ADDITIONAL 2% GROWTH DUE TO END USE LOCATION MOISTURE ABSORPTION MAY OCCUR AND SHOULD BE ACCOUNTED FOR.



RECOMMENDED LAYOUT FOR 1.58 [.062] THICK PC BOARD

PH BRZ GOLD $\triangle 5$	NYLON, UL94V-0	350830-4
PH BRZ GOLD $\triangle 2$	NYLON, UL94V-0	350830-2
PH BRZ TIN	NYLON, UL94V-0	350830-1
CONTACT	HOUSING	PART NO

THIS DRAWING IS A CONTROLLED DOCUMENT.		DIN K. WHITAKER 11OCT2005	TE Connectivity	
		CHK S. RIDGILL 11OCT2005		
DIMENSIONS:	TOLERANCES UNLESS OTHERWISE SPECIFIED:	APP'D S. RIDGILL 11OCT2005	NAME	
mm [INCHES]	0. PLC ± 1. PLC ± 2. PLC ± 3. PLC ± 0.13 [.005] 4. PLC ± ANGLES ±	PRODUCT SPEC	15 CIRCUIT UNIVERSAL MATE-N-LOK (TM) P.C. BOARD SOCKET HEADER ASSEMBLY	
MATERIAL SEE TABLE	FINISH SEE TABLE	APPLICATION SPEC	SIZE A1	RESTRICTED TO
		WEIGHT 0.000000	CAGE CODE 00779	DRAWING NO 350830
		CUSTOMER DRAWING	SCALE 5:1	SHEET 1 of 1
			REV P2	