

THIS DRAWING IS UNPUBLISHED. RELEASED FOR PUBLICATION  
 © COPYRIGHT - By - ALL RIGHTS RESERVED.

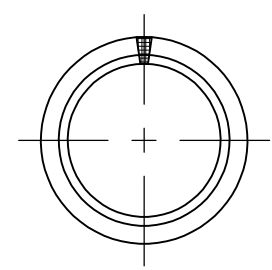
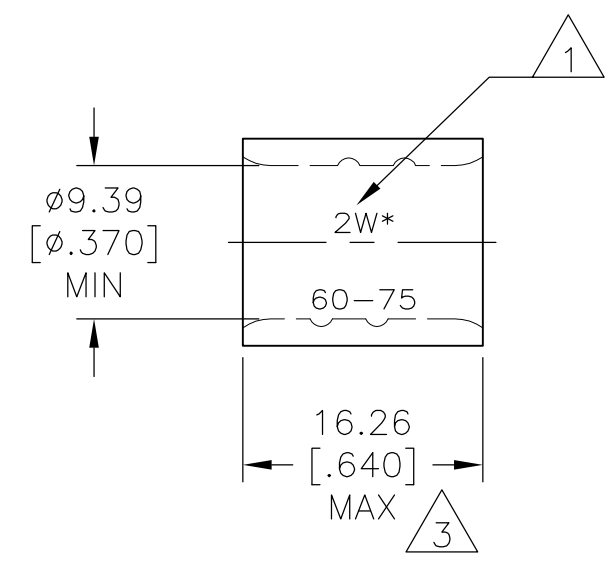
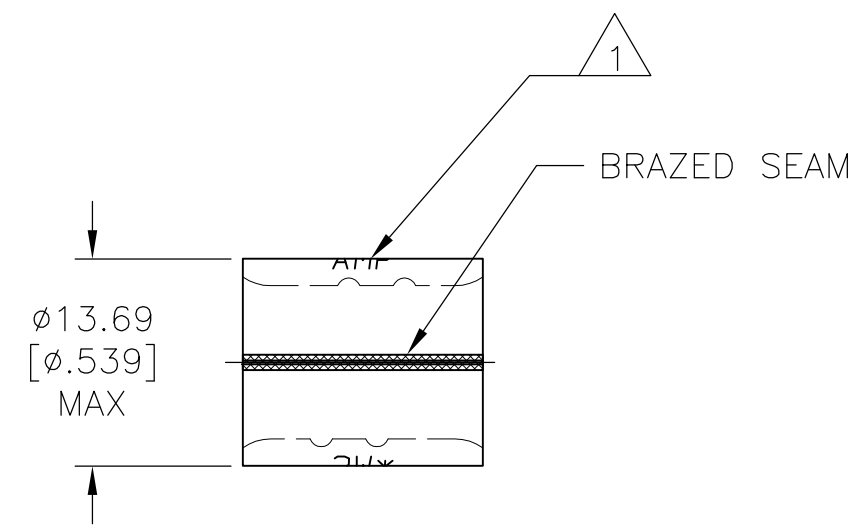
REVISIONS				
P	LTR	DESCRIPTION	DATE	APVD
	F5	REVISED PER ECR-17-000959	24FEB2017	RS DR

**AMP**  
WIRE RANGE

---

2 AWG  
SOLID OR STRANDED

- 1 STAMP AMP 2W\* 60-75 APPROX AS SHOWN.
- 2 MATERIAL THK: 1.78<sup>±0.08</sup> [.070<sup>±.003</sup>].
- 3 MAX LENGTH DOES NOT INCLUDE MANUFACTURING TABS.
- 4 TIN PLATE 0.00254 [.000100] MIN. EXT. THK. PER ASTM B545.
- 5 TIN/LEAD (60/40) PLATE, 0.00254 [.000100] MIN. EXT. THK. PER SAE-AMS-P-81728.
- 6 UL LISTED E13288, 2 AWG STRANDED.
- 7 NOTE DELETED.
- 8 CSA CERTIFIED LR7189, 2 AWG SOLID OR STRANDED.
- 9 NICKEL PLATE 0.00762 [.000300] MIN. EXT. THK. PER SAE AMS QQ-N-290.



PRELIMINARY

MAX. OPERATING TEMPERATURE	QTY.	PACKAGE TYPE	APPROVALS	FINISH	PART NO.
170°C [338°F]	25	LOOSE PIECE	6 8	4	8-35187-3
343°C [650°F]	50		---	9	35187-3
170°C [338°F]	50		---	5	35187-1
	50		6 8	4	35187

**AMP INCORPORATED**  
CUSTOMER SERVICE SYSTEMS

FOR ADDITIONAL PRODUCT INFORMATION OR COPIES OF DRAWINGS AND TECHNICAL DOCUMENTS  
 PRODUCT INFORMATION CENTER  
 1-800-522-6752

FOR APPLICATION TOOLING INFORMATION  
 TOOLING ASSISTANCE CENTER  
 1-800-722-1111

FOR ORDER ENTRY  
 1-800-526-5142

MAX RECOMMENDED OPERATING TEMPERATURE:  
SEE TABLE

VOLTAGE RATING:  
N/A

CIRCULAR MIL AREA:  
26.7-42.4mm<sup>2</sup> [52,600-83,700]  
SOLID OR STRANDED

THIS DRAWING IS A CONTROLLED DOCUMENT.

DIMENSIONS:  
mm [INCHES]

TOLERANCES UNLESS OTHERWISE SPECIFIED:

0 PLC ± -  
 1 PLC ± -  
 2 PLC ± 0.20 [.008]  
 3 PLC ± -  
 4 PLC ± -  
 ANGLES ± -

MATERIAL  
COPPER ASTM B-152

FINISH  
SEE TABLE

DWN DK SCHRUM 8/28/92  
 CHK DA PATTERSON 9/8/92  
 APVD DA PATTERSON 9/8/92

**STE** TE Connectivity

NAME  
SPLICE, PARALLEL, SOLISTRAND

PRODUCT SPEC  
---

APPLICATION SPEC  
---

WEIGHT  
---

SIZE A3 CAGE CODE 00779 DRAWING NO C-35187 RESTRICTED TO ---

CUSTOMER DRAWING SCALE 2:1 SHEET 1 OF 1 REV F5