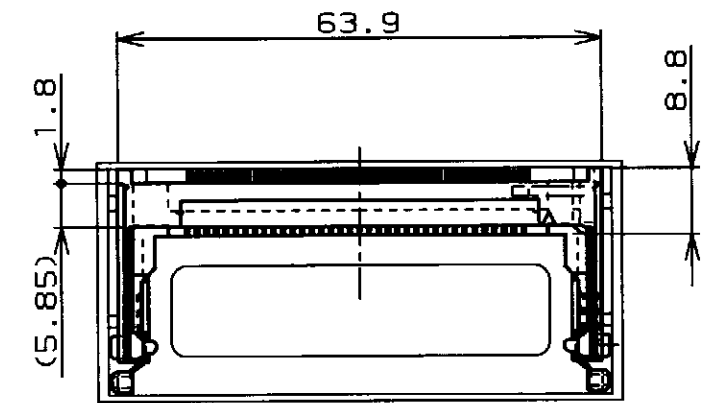
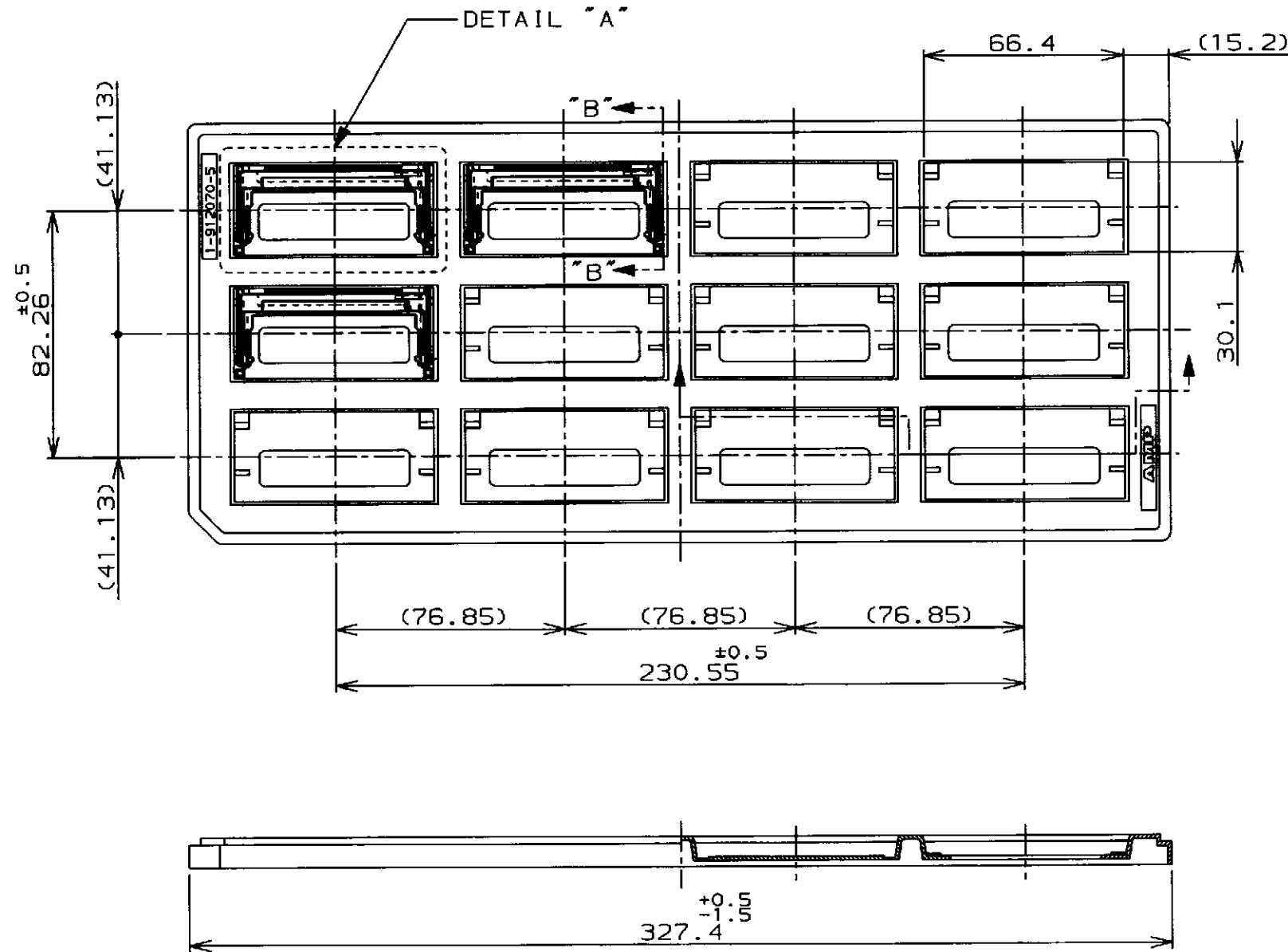
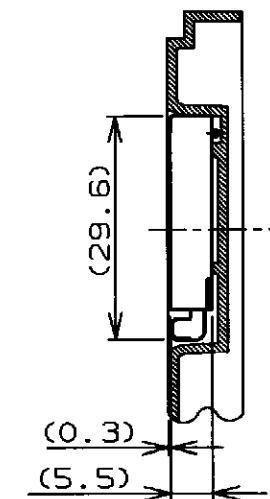


LOC	DIST	REVISIONS						
		P	LTR	DESCRIPTION	ECN	DATE	DWN	APVD
J		0		RELEASED	FJ00-1412-98	22/JUL/98	K.K	7.4



DETAIL "A"
(SCALE 1:1)



SECTION "B"-"B"
(SCALE 1:1)

THIS DRAWING IS A CONTROLLED DOCUMENT FOR AMP INCORPORATED. IT IS SUBJECT TO CHANGE AND THE CONTROLLING ENGINEERING ORGANIZATION SHOULD BE CONTACTED FOR THE LATEST REVISION.		DWN K. KAWAKAMI 22/JUL/98	WIRE RANGE 包含電線断面積	INSULATION DIA 被覆外径																		
DIMENSIONS 単位・概 mm		CHK T. Yamada 22/JUL/98	AMP 日本アンプ株式会社 Kawasaki, Japan																			
TOLERANCES UNLESS OTHERWISE SPECIFIED		APVD T. Yamada 22/JUL/98																				
一般公差 10% ±0.2 30% ±0.25 100% ±0.3 ANGLE ±0.3°		NAME 名称	HARD TRAY MIII SOCKET																			
MATERIAL	FINISH 仕上	PRODUCT SPEC 製品規格 108-5403	SIZE	CAGE CODE	DRAWING NO 番号	RESTRICTED TO																
MATERIAL 材料		APPLICATION SPEC 取付適用規格	A3	00779	©= 353869	-																
<table border="1"> <thead> <tr> <th>REMARKS</th> <th>QTY</th> <th>POS.</th> <th>CONNECTOR NO.</th> <th>PART NO.</th> </tr> </thead> <tbody> <tr> <td>5V, Au, PL.</td> <td>12</td> <td>72</td> <td>177827-3</td> <td>353869-3</td> </tr> <tr> <td>3.3V, Au, PL.</td> <td>12</td> <td>72</td> <td>177827-1</td> <td>353869-1</td> </tr> </tbody> </table>		REMARKS	QTY	POS.	CONNECTOR NO.	PART NO.	5V, Au, PL.	12	72	177827-3	353869-3	3.3V, Au, PL.	12	72	177827-1	353869-1	WEIGHT	CUSTOMER DRAWING		SCALE 尺度 1:2	SHEET 1 OF 1	REV 0
REMARKS	QTY	POS.	CONNECTOR NO.	PART NO.																		
5V, Au, PL.	12	72	177827-3	353869-3																		
3.3V, Au, PL.	12	72	177827-1	353869-1																		