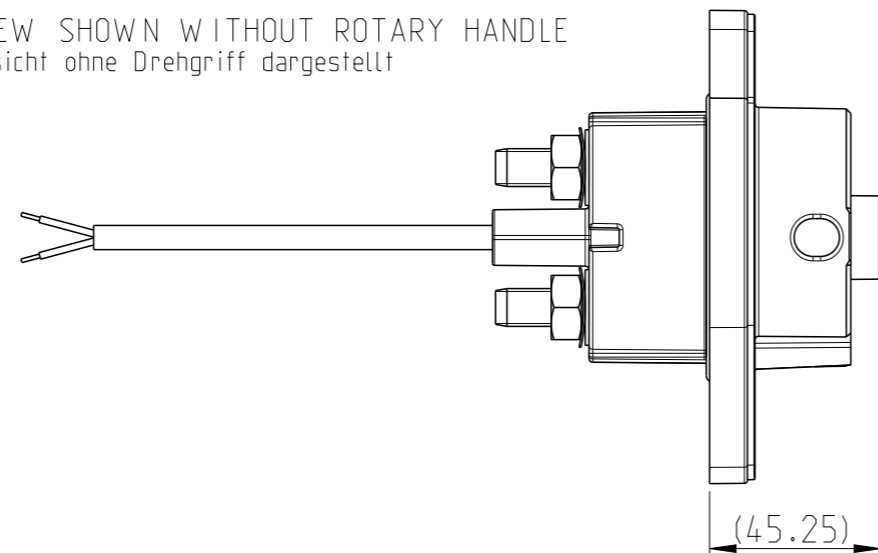


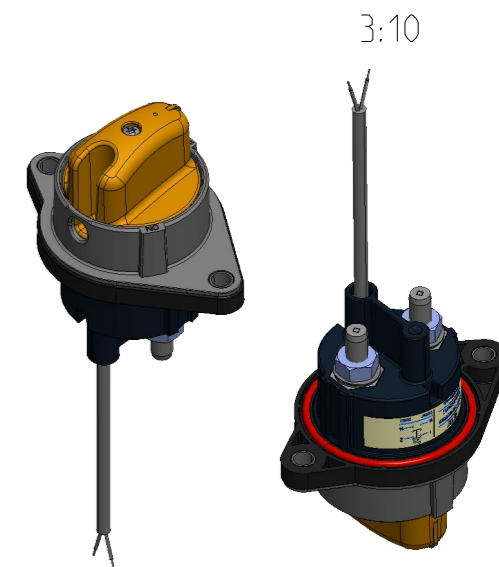
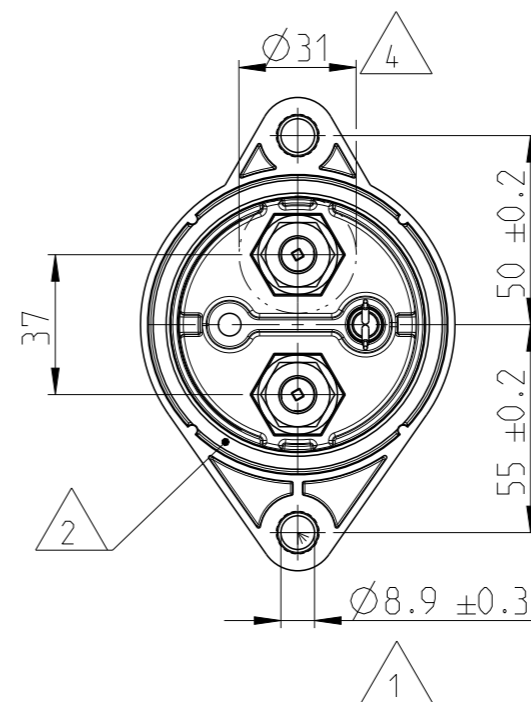
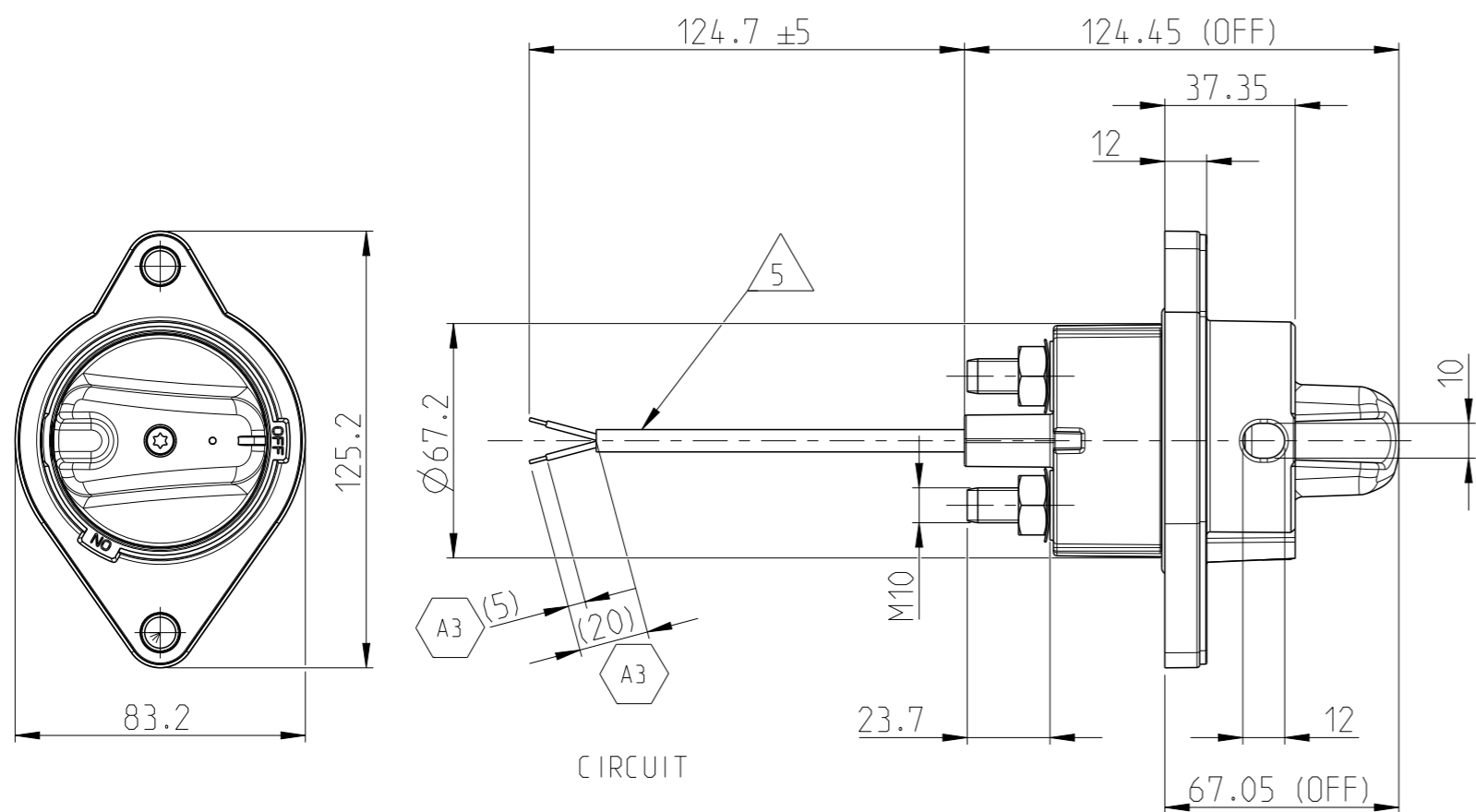
P	LTR	DESCRIPTION	DATE	DWN	APVD
	A	NEW DRAWING	23MAY2022	AF	JH
	A1	ECN-23-218637	22JUN2023	AF	JH
	A2	ECN-23-229558	30AUG2023	AF	JH
	A3	ECN-23-235704	18OCT2023	AF	JH

VIEW SHOWN WITHOUT ROTARY HANDLE
Ansicht ohne Drehgriff dargestellt



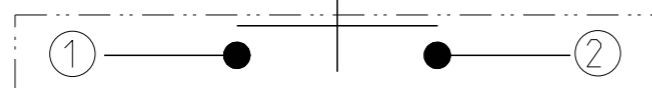
NOTES
Bemerkungen

- 1 TE-CONNECTIVITY ORDER-NUMBER
TE-Connectivity Bestellnummer
- 2 CHECK THE FIT OF THE O-RING BEFORE ASSEMBLY
Vor der Montage die korrekte Position des O-Rings kontrollieren
- 3 DO NOT SWITCH UNDER LOAD!
Nicht unter Last schalten!
- 4 MAXIMUM SPACE FOR THE CABLE LUG
Maximaler Freiraum für den Kabelschuh
- A3 5 HELUKABEL SiHF 2x0,75mm². OUTER DIAMETER 6,4mm. ART. NR. 23001
Helukabel SiHF 2x0,75mm². Außendurchmesser 6,4mm. Art. Nr. 23001

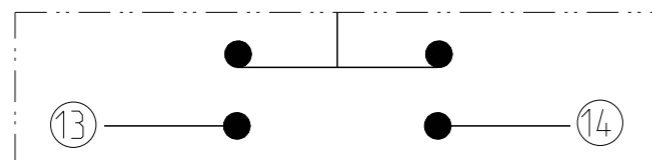


CIRCUIT

MAIN CONTACTS



AUXILIARY CONTACTS



HVIL

THIS DRAWING IS A CONTROLLED DOCUMENT.	
DIMENSIONS:	TOLERANCES UNLESS OTHERWISE SPECIFIED: DIN ISO 2768 cL
mm	
	0 PLC ±
	1 PLC ±
	2 PLC ±
	3 PLC ±
	4 PLC ±
MATERIAL	FINISH ±
-	-

DWN	26APR2022
A. FRITZ	
CHK	04NOV2022
A. O. WALZ	
APVD	10NOV2022
J. HOFFMANN	
PRODUCT SPEC	108-94883
APPLICATION SPEC	114-94778
WEIGHT	-
CUSTOMER DRAWING	

K5000038		A	1	BATTERY DISCONNECTOR HV	435	1
TE ORDER-NO.	REV.	QTY.	DESCRIPTION		WEIGHT [g]	ITEM NO
NAME HIGH VOLTAGE BATTERY DISCONNECTOR Hochvolt Batterietrennschalter						
SIZE	CAGE CODE	DRAWING NO	RESTRICTED TO			
A3	00779	35H-511-0100-OR2100001	-			
SCALE 1:2				SHEET 1 OF 1		REV A3