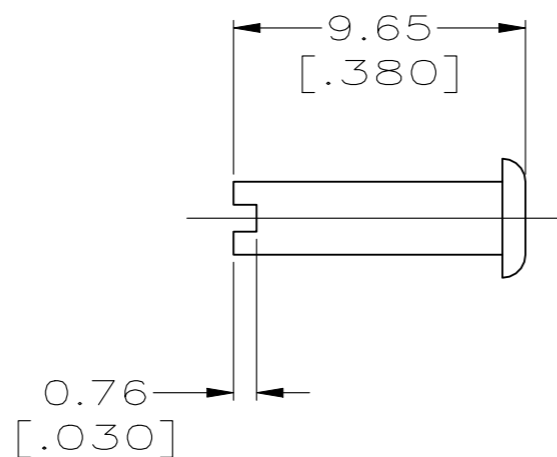
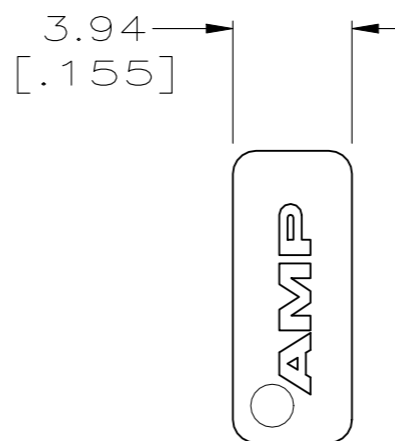
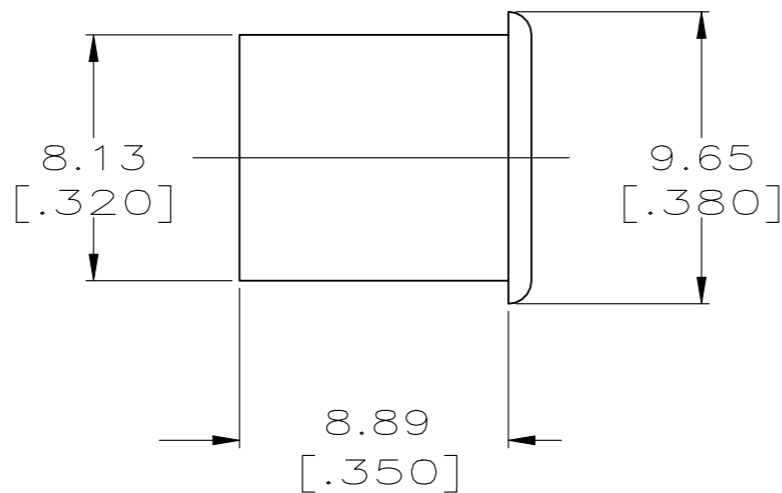
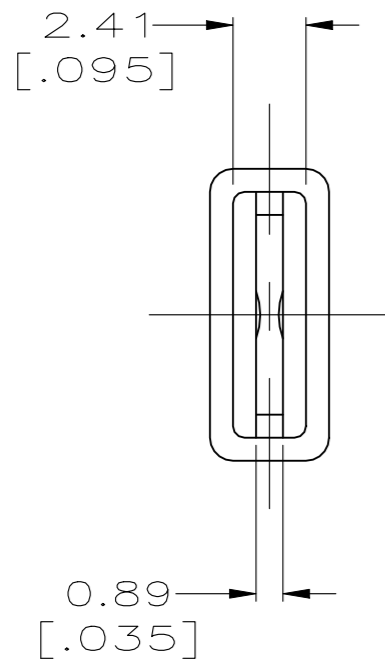


REVISIONS				
P	LTR	DESCRIPTION	DATE	APVD
	T	REVISED PER ECR-24-199799	30APR2024	DB DH



1 TO FIT ANY STANDARD 6.35 [.250] SERIES TAB 0.81 [.032] THICK.

2 PRELIMINARY - NOT FOR PRODUCTION

NATURAL	NYLON 6/6, V0	360042-3
BLACK	NYLON 6/6, V2	2 360042-2
NATURAL	NYLON 6/6, V2	360042-1
COLOR	MATERIAL	PART NO.

THIS DRAWING IS A CONTROLLED DOCUMENT.		DWN JR RUTH 12/15/98	STE TE Connectivity	
DIMENSIONS: mm		CHK MS FEHER 12/15/98		
TOLERANCES UNLESS OTHERWISE SPECIFIED:		APVD S UNGER 12/15/98	NAME CAP, TAB, 6.35 [.250] SERIES	
0 PLC ± -		PRODUCT SPEC	-	
1 PLC ± -		APPLICATION SPEC	-	
2 PLC ± 0.38 [.015]		WEIGHT	SIZE	CAGE CODE
3 PLC ± -		0.000000	A3	00779
4 PLC ± -		FINISH	DRAWING NO	RESTRICTED TO
ANGLES ± -		SEE TABLE	C-360042	-
MATERIAL		SEE TABLE	SCALE	SHEET
SEE TABLE		SEE TABLE	4:1	1 OF 1
		CUSTOMER DRAWING	REV	T