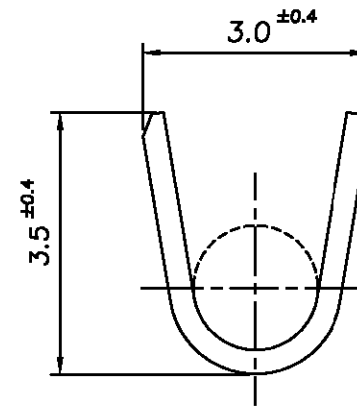
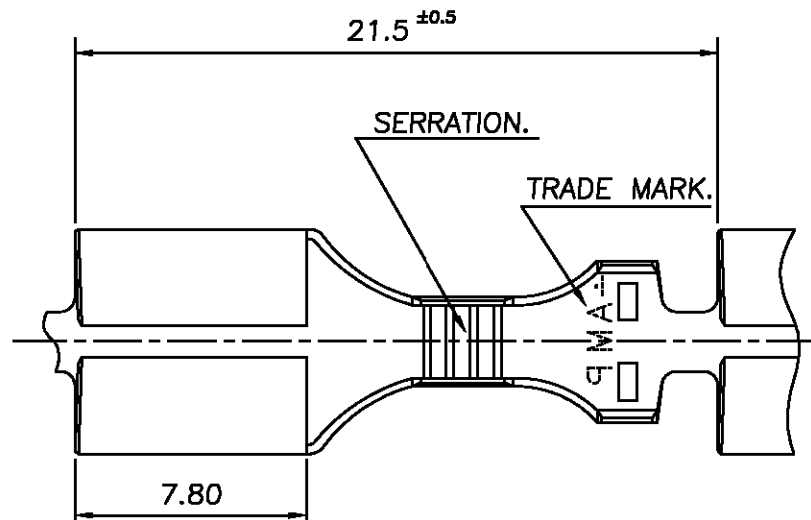
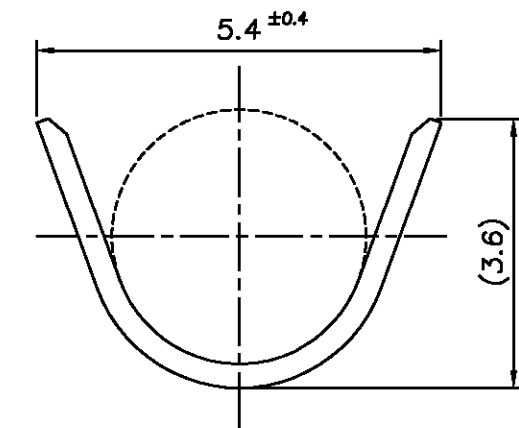


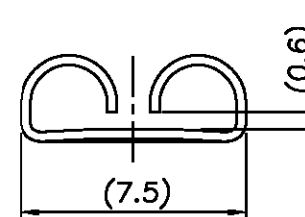
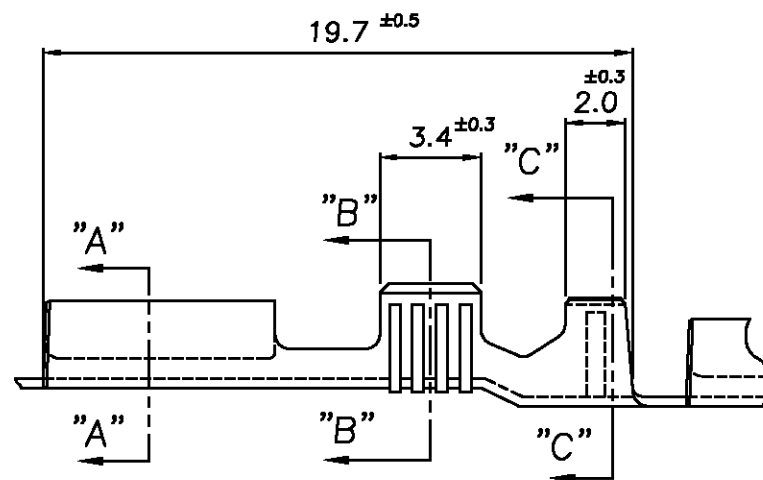
CUSTOMER DRAWING



SECTION "B-B"
(SCALE=10/1)



SECTION "C-C"
(SCALE=10/1)



SECTION "A-A"

* NOTES;

1. TAB CONTACT P/N 368079.

2. OBSOLETE PARTS: OBSOLETE CIS STREAMLINING PER D.RENAUD/D.SINISI

2 OBSOLETE	TIN PLATING	BRASS (0.32t)	368078-3
	BRIGHT DIPPING & OILING		368078-2
	FINISH	MATERIAL	368078-1
			PART NUMBER

PRINT DIST.

				© 1996 AMP MFG KOREA ALL RIGHT RESERVED AMP PRODUCTS COVERED BY PATENTS AND DR PATENTS PENDING		AMP AMP MFG KOREA	
WIRE RANGE AWG NO. #18 ~ #16 (0.85 ~ 1.25 mmSQ)		INSULATION DIA 1.81 ~ 2.2mm		NAME "250"SERIES RECEPTACLE WITHOUT LATCH FOR SEALED CONNECTOR.			
MATERIAL SEE TABLE		FINISH/COLOR SEE TABLE		TOLERANCES ±0.4	SIZE A3	LDC DS	NUMBER 3 6 8 0 7 8
O1 ECO-09-026346 KK AEG 27NOV09		DR APP			SCALE 4/1	REV 01	SHEET 1-1
O RELEASED (RD 96-282) YM CS SEP/5 '96		CHK REL					
LTR REVISION RECORD DR CHK DATE							