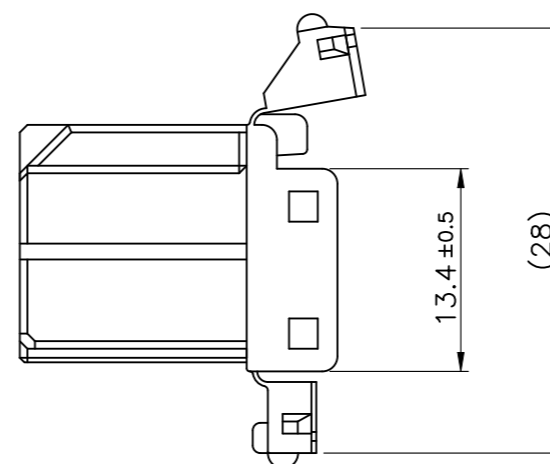
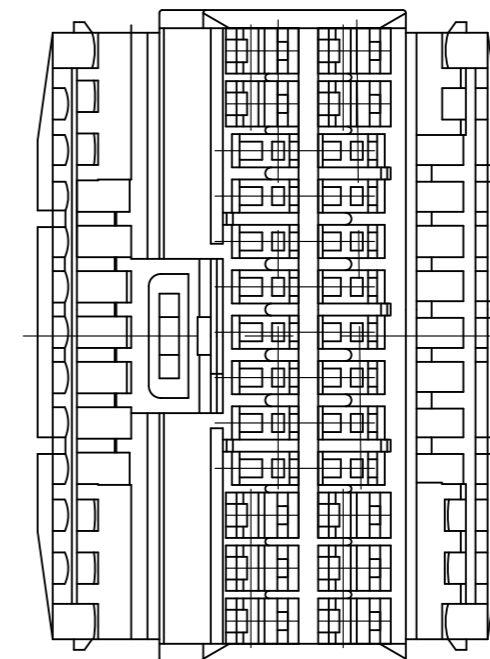
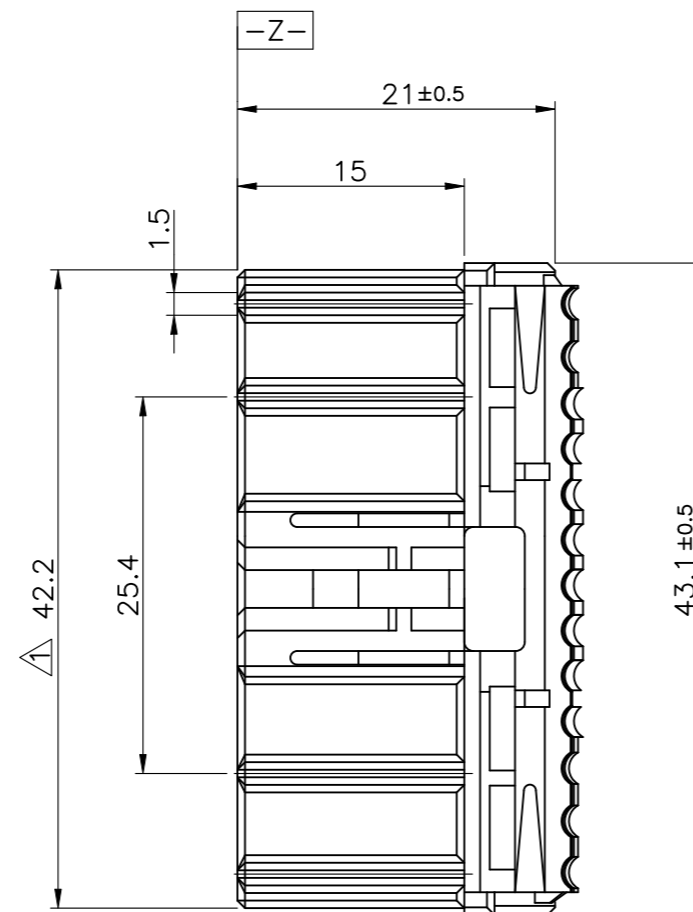
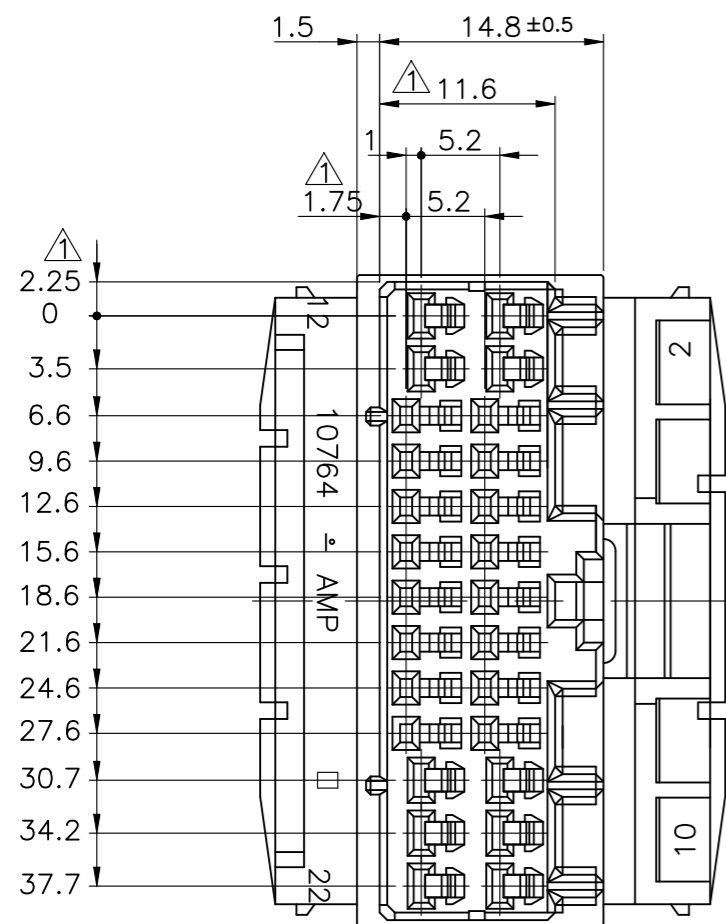


REVISIONS

P	LTR	DESCRIPTION	DATE	DWN	APVD
	B	REVISED(FC00-0084-03)	09/JUN/'03	HS	CS
	B1	REVISED PER ECR-23-177343	17MAY2023	RK	JT
	B2	REVISED PER ECR-24-211743	13JUN2024	RK	KTJ



①	COLOR	P/N
	YELLOW	-7
	GRAY	-6
②	OBsolete	BLACK
	NATURAL	-1
		P/N

NOTES;

1. MUST BE KEPT BETWEEN [-Z-] AND 2mm.
2. THE MATING CAP HOUSING PART NUMBER, 174518
3. APPLIDE CONTACT PART NUMBER,173631,173716
4. APPLICABLE PRODUCT SPEC NO. 108-5280

TOLERANCES UNLESS OTHERWISE SPECIFIED:

0 <XX<10	± 0.2
10<XX<30	± 0.25
30<XX	± 0.3
ANGLES	± 3°

THIS DRAWING IS A CONTROLLED DOCUMENT.		DWN	-	STE TE Connectivity	
		CHK	-		
DIMENSIONS: mm		APVD	-	NAME	
TOLERANCES UNLESS OTHERWISE SPECIFIED:		PRODUCT SPEC		26P PLUG HOUSING, HYBRID I/O CONN.	
0 PLC ± -		APPLICATION SPEC		-	
1 PLC ± -		-		-	
2 PLC ± -		SIZE	A3	CAGE CODE	00779
3 PLC ± -		DRAWING NO	G-368136		RESTRICTED TO
4 PLC ± -		WEIGHT	-		-
ANGLES ± -		CUSTOMER DRAWING			
MATERIAL PBT		FINISH	-		SCALE 2:1
		SHEET 1 OF 1		REV B2	