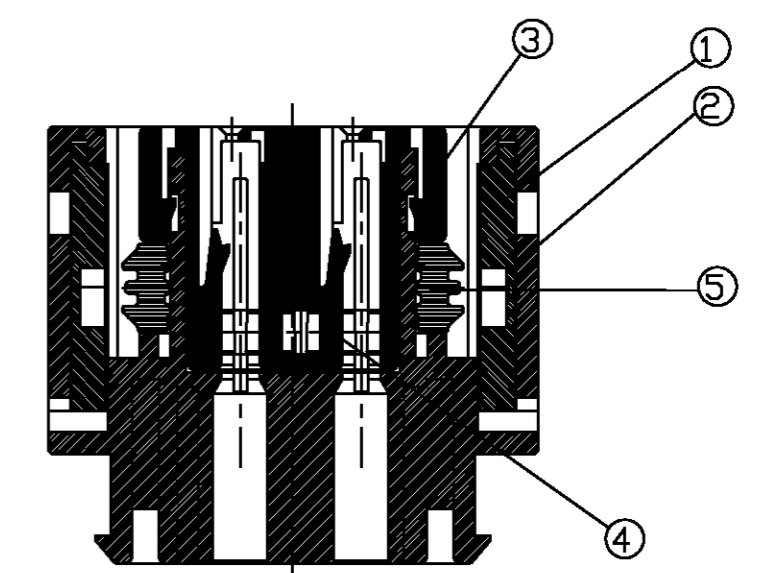
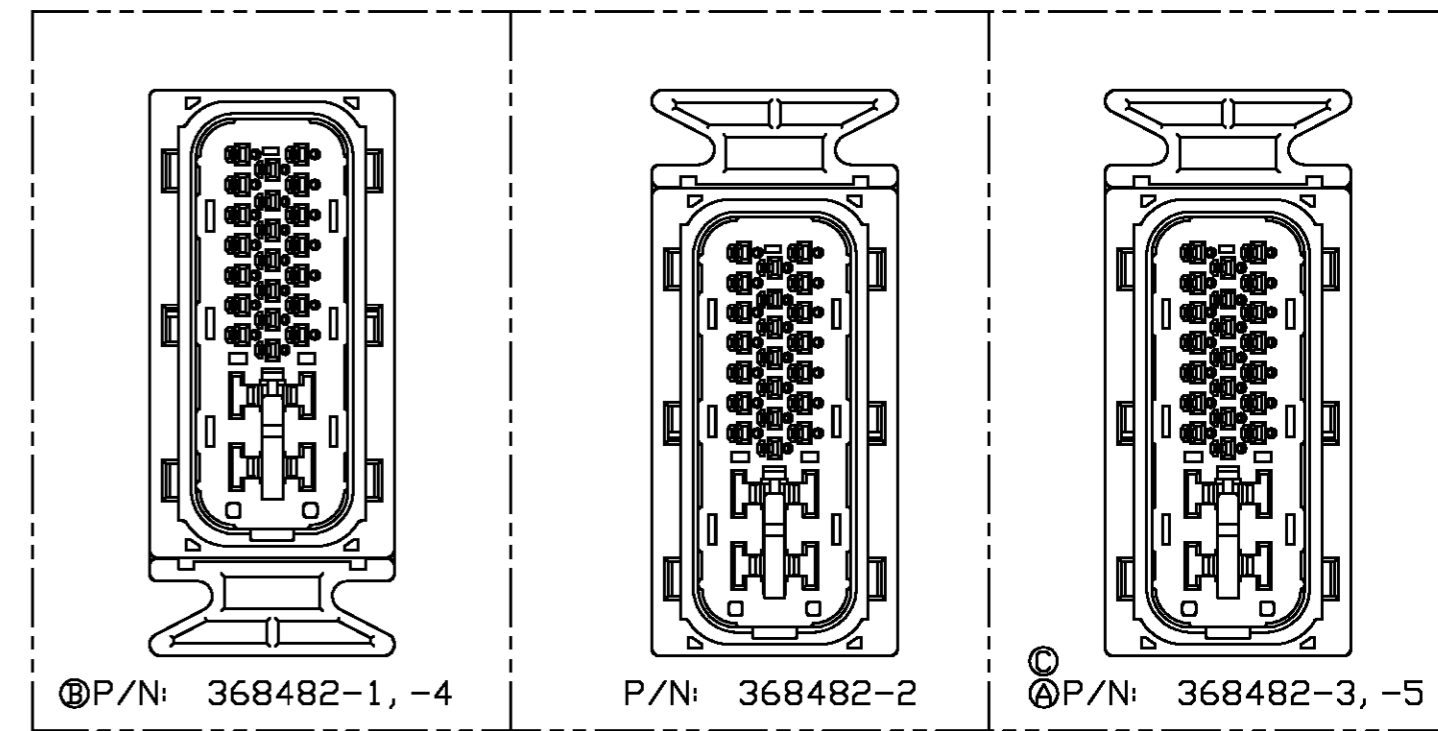
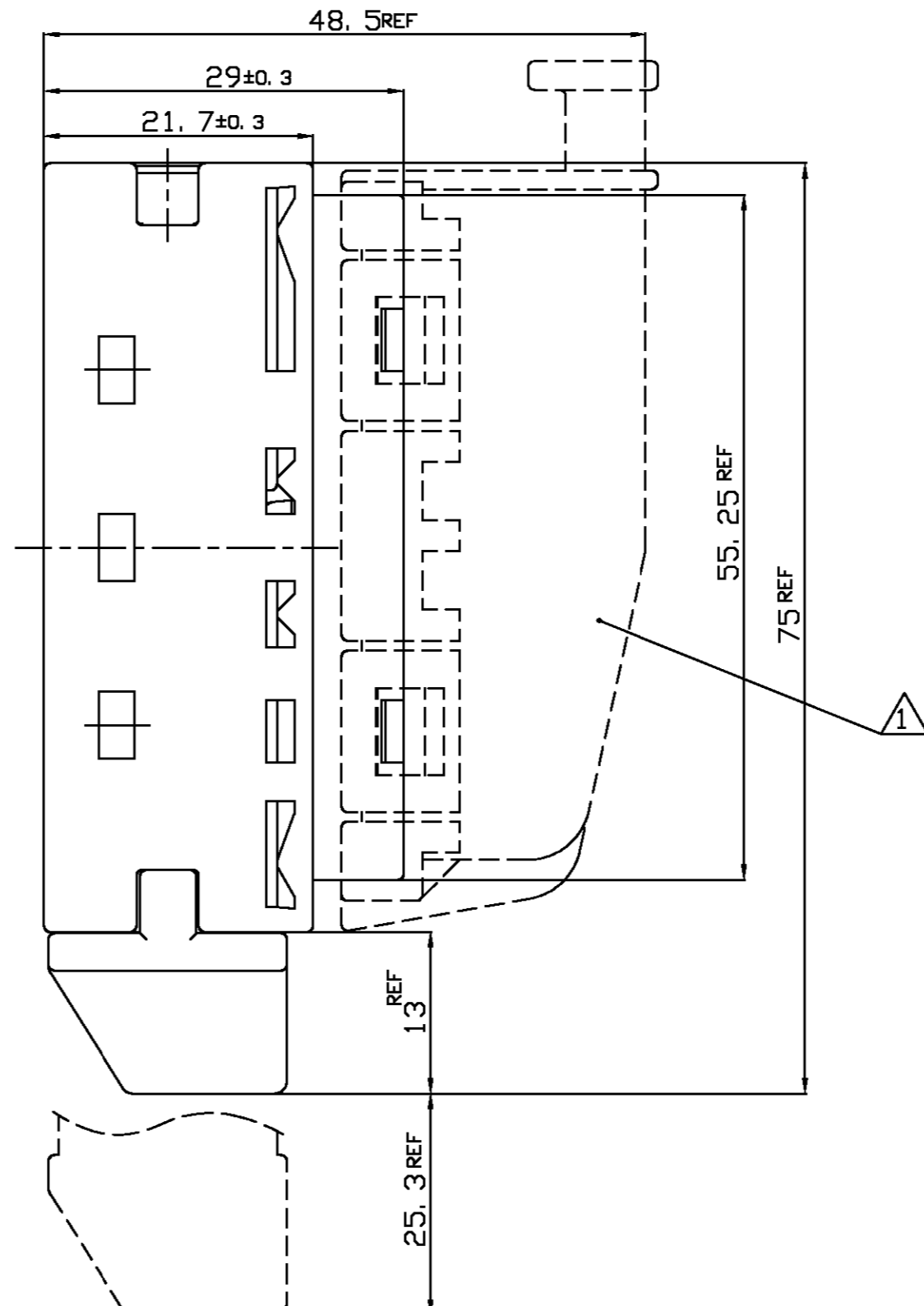
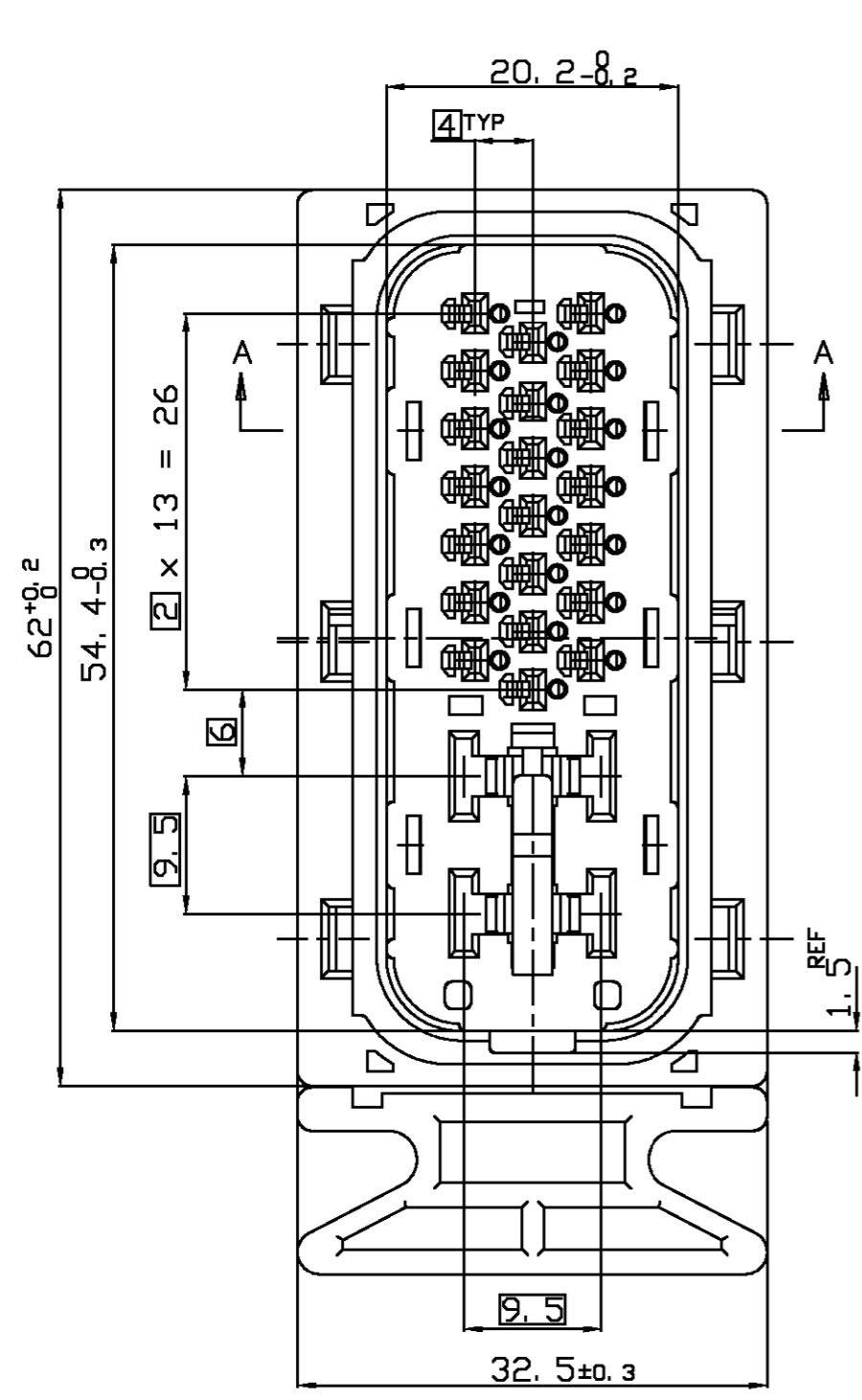


LOC	DIST	REVISIONS					
DS		P	LTR	DESCRIPTION	DATE	DWN	APVD
		A		RELEASED ECN<FC00-0094-02>	18. JUN' 02	JW	CS
		B		RELEASED ECN<FC00-0034-04>	03. MAR' 04	MS	CS
		C		REVISED < ECR-05-005458 >	23. JUN' 05	YH	CS



SECT A-A

NOTES  
 △ APPLY WIRE COVER 316873-2

QTY	REV	DESCRIPTION	MATERIAL	COLOR	ITEM NO.				
1	1	SILICON SEAL RING	SILICON	ORANGE	5				
1	1	PBT DBL LOCK PLATE	PBT	NATURAL	4				
1	1	PBT LANCE HSG	PBT	BLACK	3				
1	1	PBT PLUG HSG	PBT	BLACK	2				
1	1	PBT-GF30 SLIDE	PBT-GF30	BROWN	1				
1	1	PBT-GF30 SLIDE	PBT-GF30	BLACK					
1	1	PBT-GF30 SLIDE	PBT-GF30	GRAY					
1	1	PBT-GF30 SLIDE	PBT-GF30	ORANGE					
A	B	B	B	B	REV	MATERIAL	NAME	COLOR	ITEM NO.
-5	-4	-3	-2	-1					

DIMENSIONS: mm		TOLERANCES UNLESS OTHERWISE SPECIFIED:	
0 <XX<10 ± 0.2		10<XX<30 ± 0.25	
30<XX ± 0.3		ANGLES ± 3°	
3rd ANGLE PROJECTION		MATERIAL: SEE TABLE	
FINISH: SEE TABLE		DWN: YH_MA	
		CHK: CS_LEE	
		APVD: CS_LEE	
		PRODUCT SPEC: 108-5523	
		APPLICATION SPEC: SEE TABLE	
		WEIGHT: 43.0g	

175091-1	114-5126
175090-1	114-5126
900293-1	114-5216
APPLICABLE TERMINAL P/N/APPLICATION SPEC	

**tyco** AMP KOREA, kyungsan, korea

NAME: PLUG ASSY FOR 25P ABS

SIZE: A2 CAGE CODE: 00779 DRAWING NO: 368482

RESTRICTED TO

SCALE: 2:1 SHEET 1 OF 1 REV C