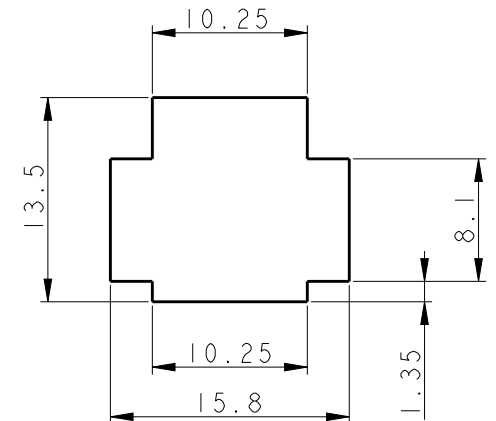
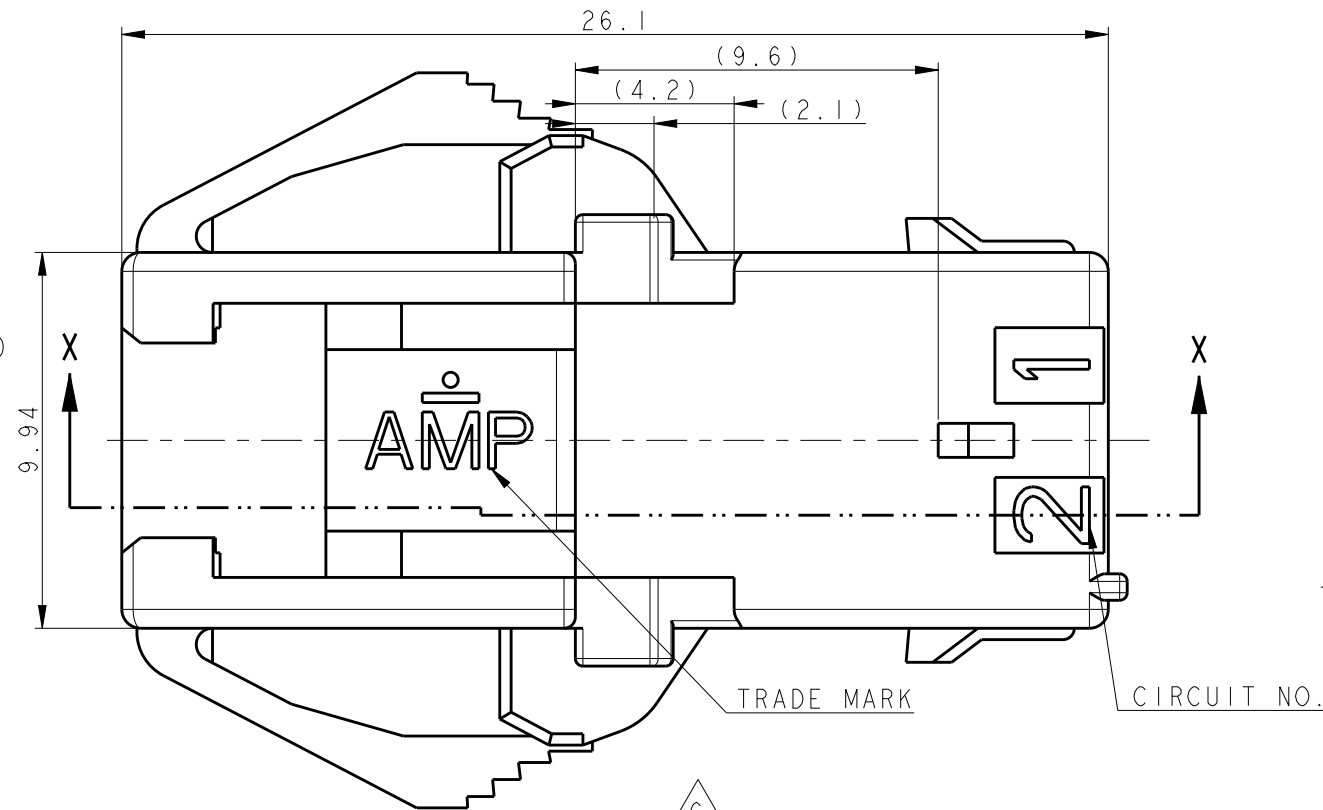


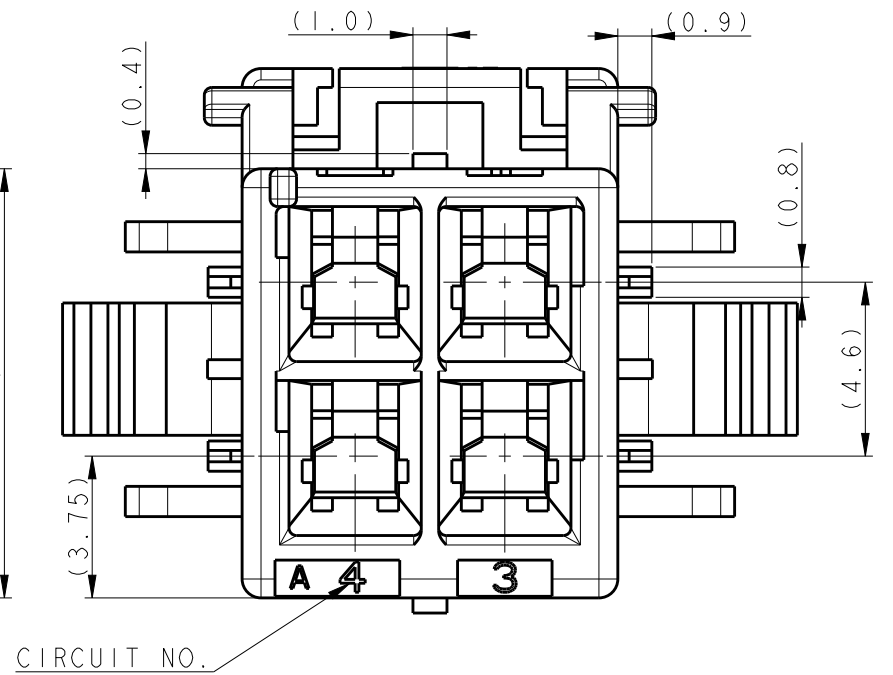
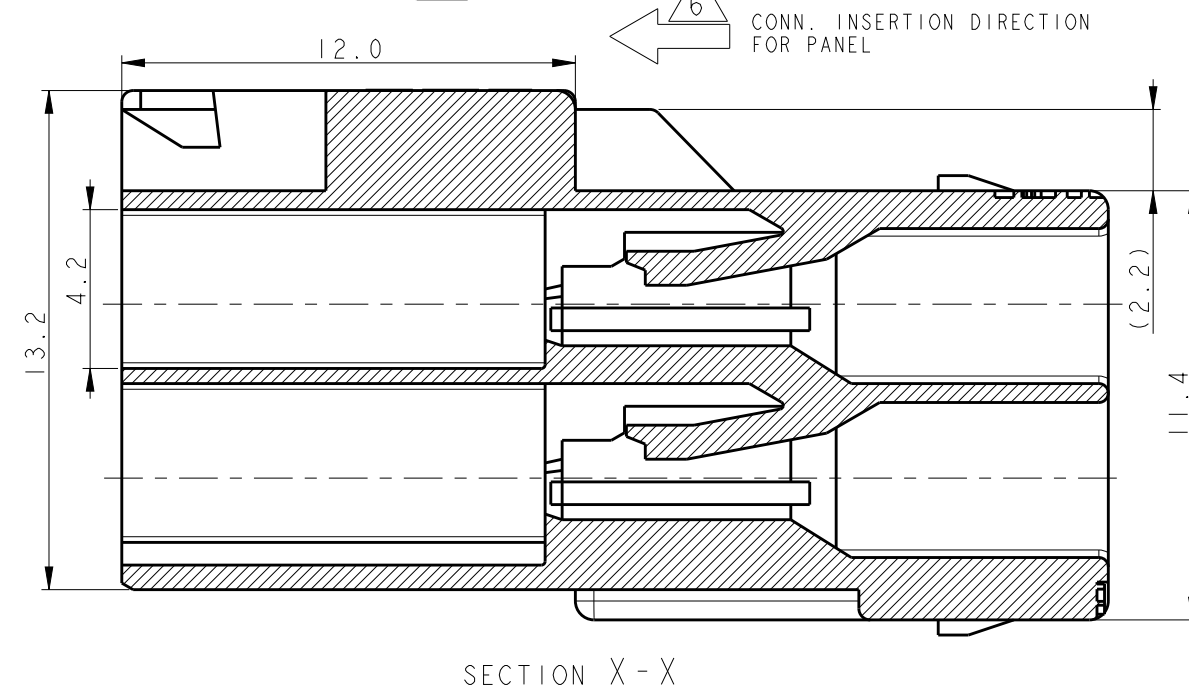
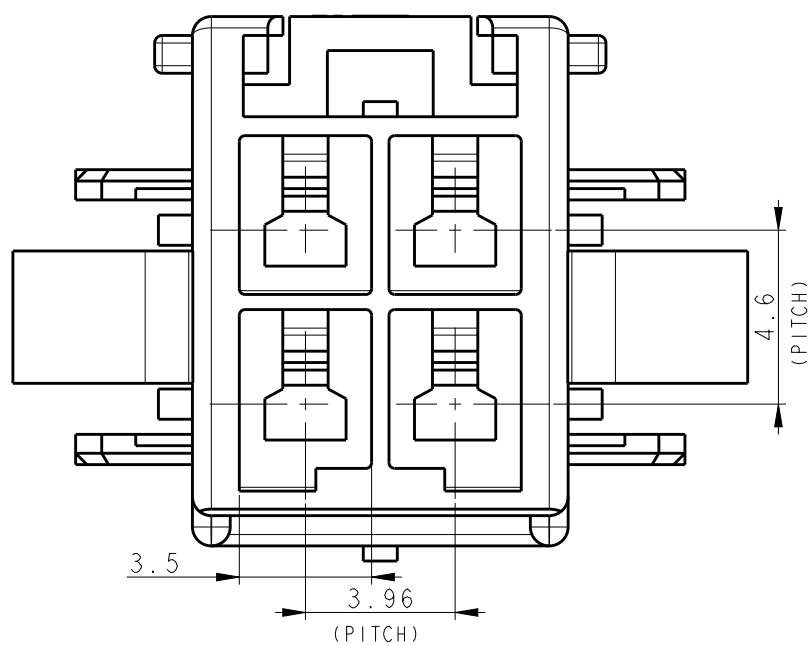
THIS DRAWING IS UNPUBLISHED. RELEASED FOR PUBLICATION 20  
 © COPYRIGHT 20 BY - ALL RIGHTS RESERVED.

REVISIONS				
P	LTR	DESCRIPTION	DATE	APVD
B		REVISED PER ECR-19-009721	01JUL2019	M.G D.Z

- NOTE;
- THIS HOUSING ACCEPTS TAB TERMINAL:  
 -TAB CONTACT: 177917-□ (AWG#16-#20)  
 177916-□ (AWG#22-#26)
  - MATING CONN. P/N  
 -PLUG HSG: □-368575-□  
 -REC CONTACT: 177915-□ (AWG#16-#20)  
 177914-□ (AWG#22-#26)
  - APPLICABLE DOUBLE LOCK PLATE: □-368590-1
  - GENERAL TOLERANCES: ±0.3
  - APPLICATOIN PANEL THICKNESS: 0.8~2.0 (SEE FIG 1.)
  - INSERT CONN. FROM PRESS DIRECTION SIDE FOR METAL PANEL.
  - EDGE OF THICKNESS MAY MUST NOT ROUND FOR MOLDED PANEL.
  - ALL PARTS COMPLY WITH GLOW WIRE REQUIREMENT FOR PARTS OF NON-METALLIC MATERIAL SUPPORTING A CURRENT-CARRYING CONNECTION DETAILED IN IEC 60335-1, SECTION 30(GWT)



5  
 FIG 1.  
 RECOMMENDED PANEL OPENING DIMENSION  
 TOLERANCES: ±0.13



1-368589-6	PA66 UL94V-0	BLUE
1-368589-4		YELLOW
1-368589-2		RED
1-368589-1		NATURAL
368589-6	PA66 UL94V-2	BLUE
368589-4		YELLOW
368589-2		RED
368589-1		NATURAL
P/N	MATERIAL	COLOR

THIS DRAWING IS A CONTROLLED DOCUMENT.

DIMENSIONS: mm

TOLERANCES UNLESS OTHERWISE SPECIFIED:

0 PLC	±
1 PLC	±
2 PLC	±
3 PLC	±
4 PLC	±
ANGLES	±
FINISH	-

MATERIAL SEE TABLE 8

DWN SC KIM  
 CHK BW KANG  
 APVD JK SONG  
 PRODUCT SPEC 108-5410  
 APPLICATION SPEC 114-5175  
 WEIGHT -  
 CUSTOMER DRAWING

**STE** TE Connectivity

NAME PDL 4P CAP HSG 3.96mm D/R P/M (GWT)

SIZE	CAGE CODE	DRAWING NO	RESTRICTED TO
A3	00779	C-368589	-

SCALE 5:1 SHEET 1 OF 1 REV B