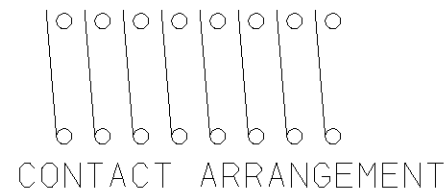


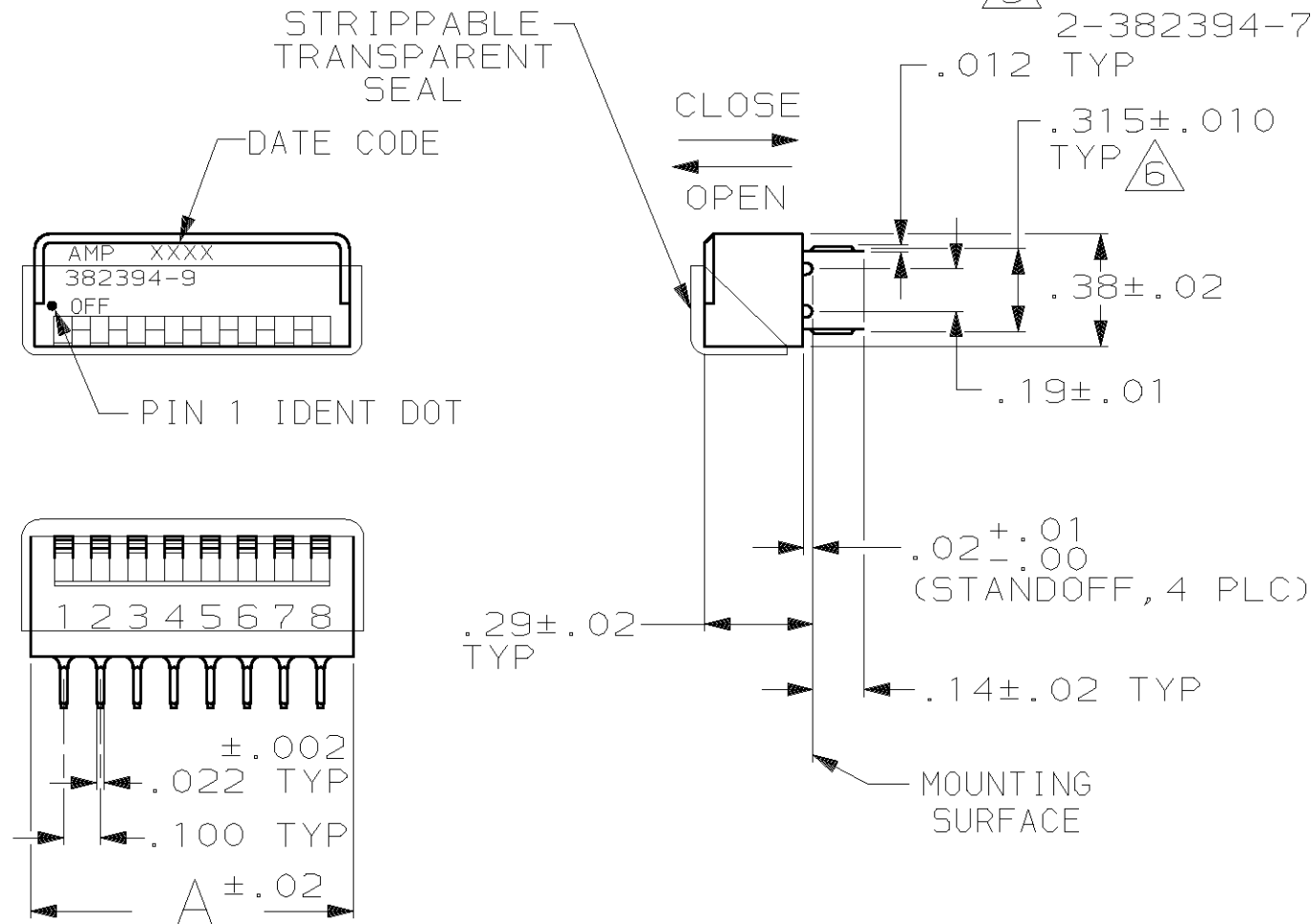
THIS DRAWING IS UNPUBLISHED. RELEASED FOR PUBLICATION, 19  
 © COPYRIGHT 19 BY AMP INCORPORATED. ALL INTERNATIONAL RIGHTS RESERVED.

LOC FT	DIST 64	P	F	REVISIONS			DATE	APPD
				ZONE	LTR	DESCRIPTION		
					K	REV PER 063C-0045-02	09JUL02	HW



- 7 CONTACTS ARE PLATED .000050 MIN GOLD OVER NICKEL, IN CONTACT AREA.
- 8 NO POSITION MARKING.
- 9 SEE RESTRICTED CUSTOMER DRAWING 2-382394-7.

- 1. SWITCH SHOWN IN OPEN POSITION.
- 2 HOUSING & ROCKERS ARE POLYESTER, CONTACTS ARE BERYLLIUM COPPER.
- 3 CONTACTS ARE PLATED .000030 MIN GOLD OVER NICKEL, IN CONTACT AREA.
- 4. ALL CHARACTERS & ROCKERS ARE WHITE, HOUSING IS BLACK.
- 5. FOR ADDITIONAL SWITCH SPECIFICATIONS SEE AMP PRODUCT SPEC. 108-7519.
- 6 .315 DIMENSION APPLIES AT TERMINAL TIPS. TERMINALS ARE .300<sup>+.010</sup>/<sub>-.000</sub> AT MOUNTING SURFACE.



SUPERSEDED BY 4-1437590-3  
 SUPERSEDED BY 3-1437587-0  
 SUPERSEDED BY 2-1437587-5  
 SUPERSEDED BY 3-1437590-8  
 SUPERSEDED BY 2-1437587-0  
 SUPERSEDED BY 3-1437590-5

OBSOLETE	-	-	-	9
OBSOLETE 8	3	8	.88	2-382394-6
OBSOLETE 8	3	5	.58	2-382394-5
OBSOLETE 8	3	4	.48	2-382394-4
OBSOLETE	7	12	1.28	2-382394-3
		12	1.28	2-382394-2
		10	1.08	2-382394-0
		9	.98	1-382394-9
		7	.78	1-382394-8
		6	.68	1-382394-7
		5	.58	1-382394-6
		4	.48	1-382394-5
		8	.88	382394-9

SUPERSEDED BY 4-1437590-0  
 382394-9 SHOWN

DO NOT SCALE PRINT. UNLESS SPECIFIED DIMENSIONS IN INCHES TOLERANCES ON: 2 PLC DEC ± - 3 PLC DEC ± .005 ANGLES ± -		DR K. SALMON 2/10/89	FINISH	NO OF POSN	A	PART NO
MATERIAL	2	CHK RLM 2/10/89				
FINISH	SEE TABLE	APPD HAROLD LEITER				
		APPD				
		PRODUCT SPEC				
		APPLICATION SPEC				
		WEIGHT				
		AMP INCORPORATED Harrisburg, Pa. 17105		NAME SWITCH ASSY, DIP, TYPE "C", 7000 SERIES, BLACK, SIDE ACTUATED		
		SIZE	FSCM NO	DRAWING NO		
		B	00779	382394		
		SCALE	2:1	SHEET	1 OF 1	