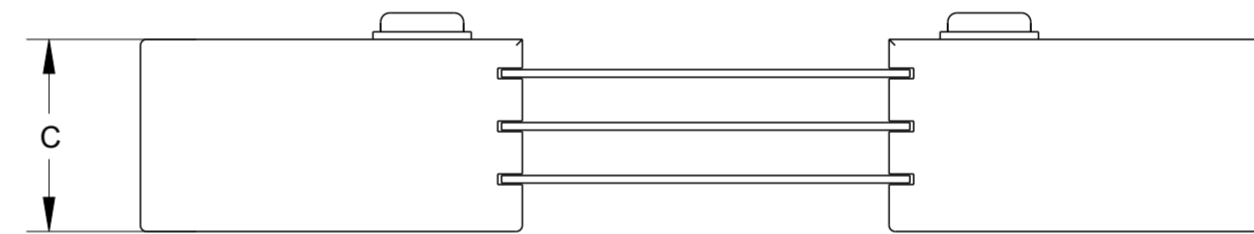
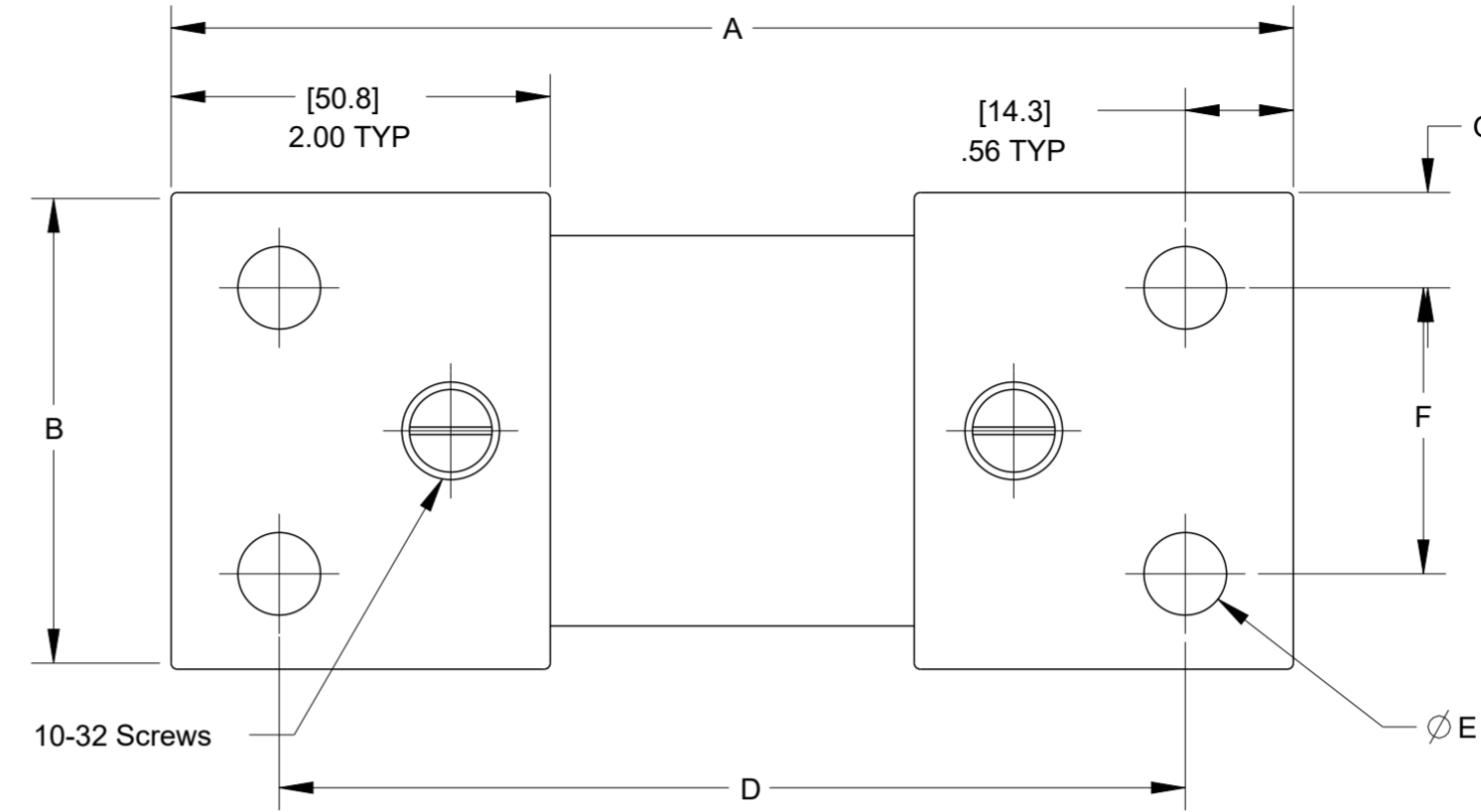
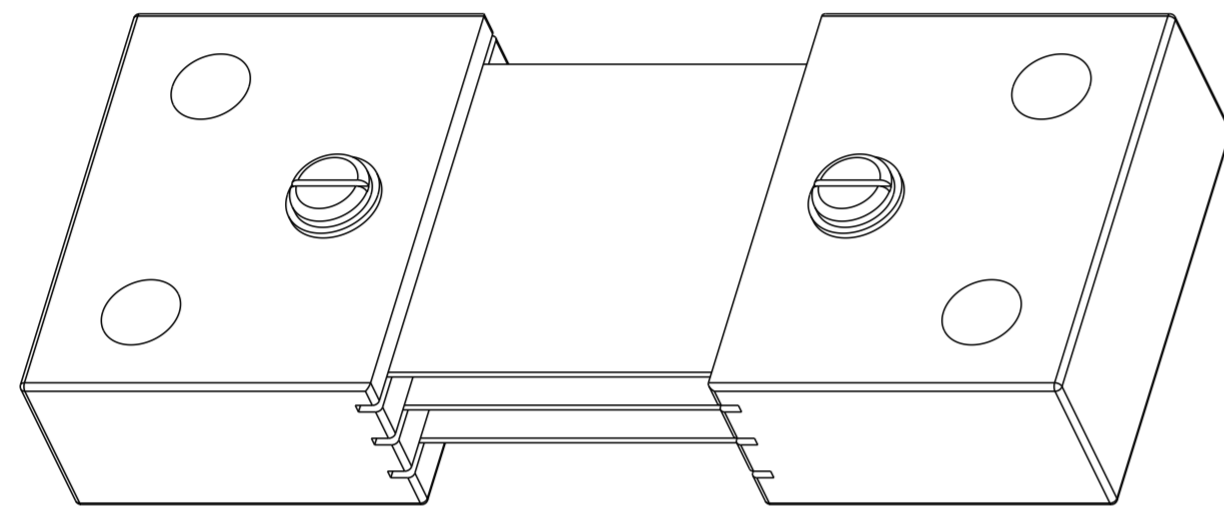


REVISIONS					
P	LTR	DESCRIPTION	DATE	DWN	APVD
1		NEW LAYOUT	29MAY2020	SM	NJ



SPECIFICATION AND DIMENSIONS

P/N	RATED CURRENT (A)	RATED OUTPUT (mV)	Dim. A	Dim. B	Dim. C	Dim. D	Dim. E	Dim. F	Dim. G
FI-300-50	300	50	5.875(149.2)	1.75(44.5)	0.5(12.7)	4.75(120.7)	0.438(11.1)	1.0(25.4)	0.375(9.5)
FI-400-50	400	50	5.875(149.2)	2.0(50.8)	0.75(19.1)	4.75(120.7)	0.438(11.1)	1.25(31.8)	0.375(9.5)
FI-500-50	500	50	5.875(149.2)	2.0(50.8)	0.75(19.1)	4.75(120.7)	0.438(11.1)	1.25(31.8)	0.375(9.5)
FI-600-50	600	50	5.875(149.2)	2.0(50.8)	0.75(19.1)	4.75(120.7)	0.438(11.1)	1.25(31.8)	0.375(9.5)
FI-750-50	750	50	5.875(149.2)	2.25(57.2)	0.75(19.1)	4.75(120.7)	0.438(11.1)	1.5(38.1)	0.375(9.5)
FI-800-50	800	50	5.875(149.2)	2.375(60.3)	0.75(19.1)	4.75(120.7)	0.438(11.1)	1.5(38.1)	0.438(11.1)
FI-1000-50	1000	50	5.875(149.2)	2.5(63.5)	1.0(25.4)	4.75(120.7)	0.438(11.1)	1.5(38.1)	0.5(12.7)
FI-1200-50	1200	50	5.875(149.2)	2.875(73.0)	1.0(25.4)	4.75(120.7)	0.438(11.1)	1.5(38.1)	0.688(17.5)
FI-300-100	300	100	7.75(196.9)	1.75(44.5)	0.5(12.7)	6.625(168.3)	0.438(11.1)	1.0(25.4)	0.375(9.5)
FI-400-100	400	100	7.75(196.9)	2.0(50.8)	0.75(19.1)	6.625(168.3)	0.438(11.1)	1.25(31.8)	0.375(9.5)
FI-500-100	500	100	7.75(196.9)	2.0(50.8)	0.75(19.1)	6.625(168.3)	0.438(11.1)	1.25(31.8)	0.375(9.5)
FI-600-100	600	100	7.75(196.9)	2.0(50.8)	0.75(19.1)	6.625(168.3)	0.438(11.1)	1.25(31.8)	0.375(9.5)
FI-750-100	750	100	7.75(196.9)	2.25(57.2)	0.75(19.1)	6.625(168.3)	0.438(11.1)	1.5(38.1)	0.375(9.5)
FI-800-100	800	100	7.75(196.9)	2.375(60.3)	0.75(19.1)	6.625(168.3)	0.438(11.1)	1.5(38.1)	0.438(11.1)
FI-1000-100	1000	100	7.75(196.9)	2.5(63.5)	1.0(25.4)	6.625(168.3)	0.438(11.1)	1.5(38.1)	0.5(12.7)
FI-1200-100	1200	100	7.75(196.9)	2.875(73.0)	1.0(25.4)	6.625(168.3)	0.438(11.1)	1.5(38.1)	0.688(17.5)

THIS DRAWING IS A CONTROLLED DOCUMENT.

DWN	SATYA.M	29MAY2020	 TE Connectivity	NAME ANSI SHUNT FI RANGE DIMENSION DRAWING		
CHK	NIGEL JOHNSON	29MAY2020				
APVD	NIGEL JOHNSON	29MAY2020				
PRODUCT SPEC	-	-				
APPLICATION SPEC	-	-	SIZE	CAGE CODE	DRAWING NO	RESTRICTED TO
WEIGHT	-	-	A2	00779	CI-3L50201	-
CUSTOMER DRAWING	SCALE 1:1		SHEET 1 OF 1	REV 1		