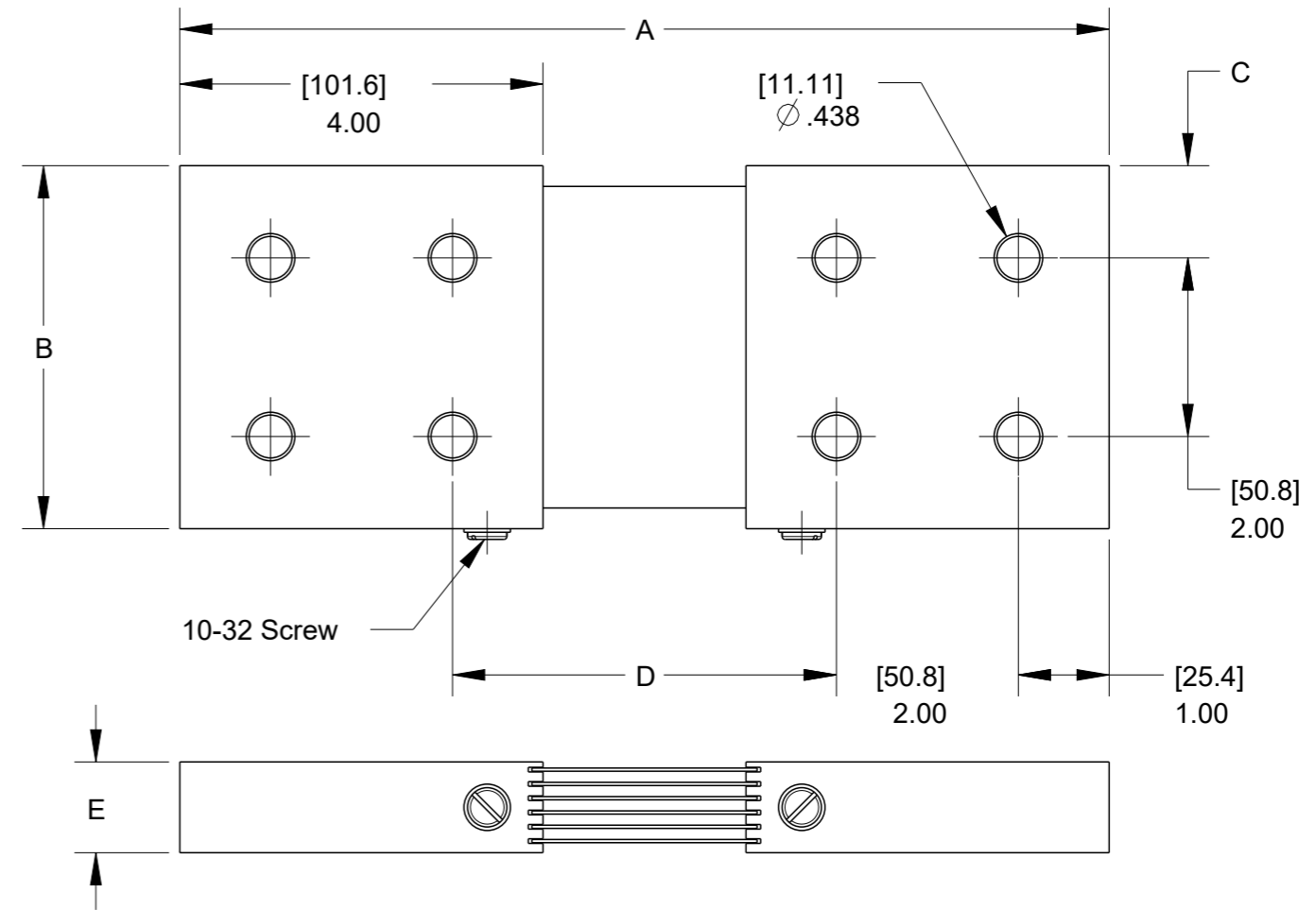
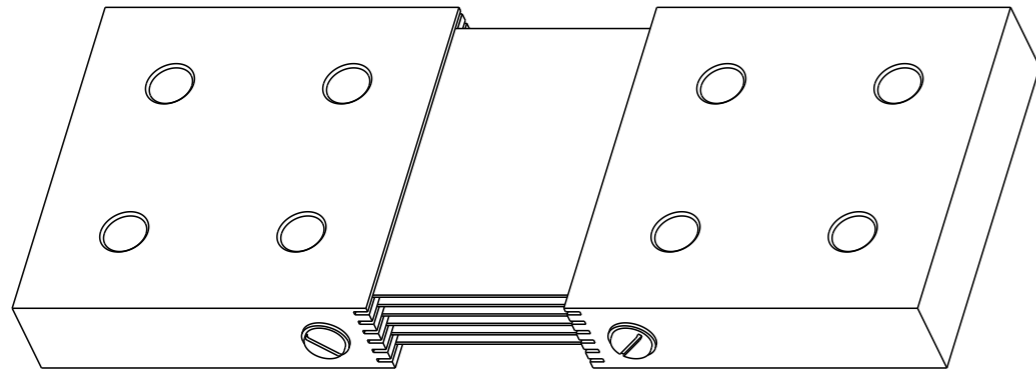


REVISIONS

P	LTR	DESCRIPTION	DATE	DWN	APVD
1		NEW LAYOUT	29MAY2020	SM	NJ



SPECIFICATIONS AND DIMENSIONS

P/N	RATED CURRENT (A)	RATED OUTPUT (mV)	Dim. A	Dim. B	Dim. C	Dim. D	Dim. E
FJ-1500-50	1500	50	9.625 (244.5)	3.0(76.2)	0.5(12.7)	3.625(92.1)	1.0(25.4)
FJ-2000-50	2000	50	9.625 (244.5)	4.0(101.6)	1.0(25.4)	3.625(92.1)	1.0(25.4)
FJ-2500-50	2500	50	9.625 (244.5)	4.0(101.6)	1.0(25.4)	3.625(92.1)	1.25(31.8)
FJ-3000-50	3000	50	9.625 (244.5)	4.0(101.6)	1.0(25.4)	3.625(92.1)	1.5(38.1)
FJ-4000-50	4000	50	9.625 (244.5)	5.0(127.0)	1.25(31.8)	3.625(92.1)	1.5(38.1)
FJ-5000-50	5000	50	9.625 (244.5)	5.0(127.0)	1.25(31.8)	3.625(92.1)	1.5(38.1)
FJ-6000-50	6000	50	9.625 (244.5)	5.0(127.0)	1.25(31.8)	3.625(92.1)	2.0(50.8)
FJ-1500-100	1500	100	11.250(285.8)	3.0(76.2)	0.5(12.7)	5.25(133.4)	1.0(25.4)
FJ-2000-100	2000	100	11.250(285.8)	4.0(101.6)	1.0(25.4)	5.25(133.4)	1.0(25.4)

THIS DRAWING IS A CONTROLLED DOCUMENT.

DIMENSIONS: mm	TOLERANCES UNLESS OTHERWISE SPECIFIED:
	0 PLC ±-
	1 PLC ±-
	2 PLC ±-
	3 PLC ±-
	4 PLC ±-
	ANGLES ±
MATERIAL TBD	FINISH

DWN SATYA.M 29MAY2020	
CHK NIGEL JOHNSON 29MAY2020	
APVD NIGEL JOHNSON 29MAY2020	
PRODUCT SPEC	
APPLICATION SPEC	NAME ANSI SHUNT FJ RANGE DIMENSION DRAWING
WEIGHT -	SIZE A3
CUSTOMER DRAWING	CAGE CODE 00779
	DRAWING NO CI-3L50301
	RESTRICTED TO -
	SCALE 1:2
	SHEET 1 OF 1
	REV 1