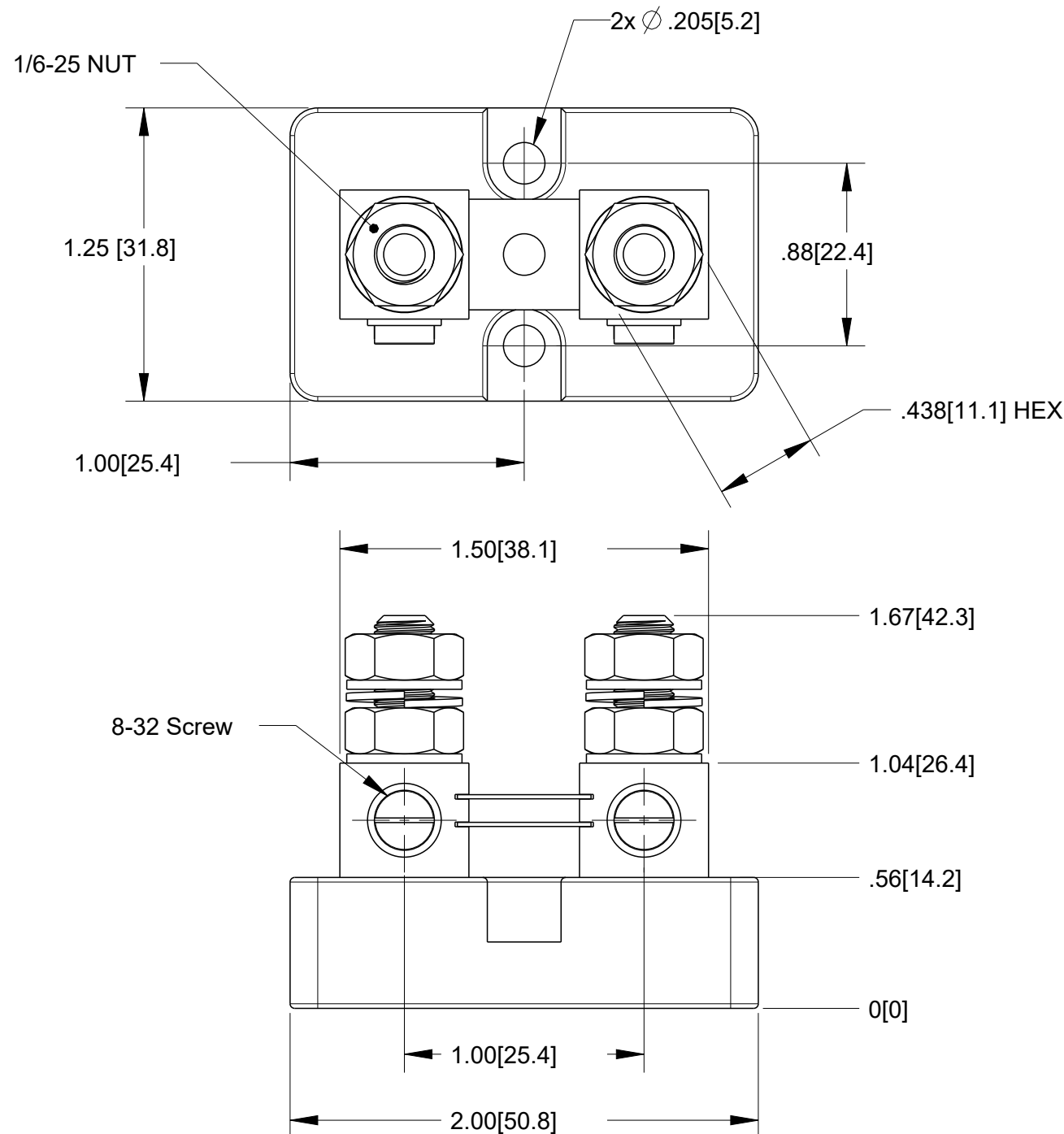
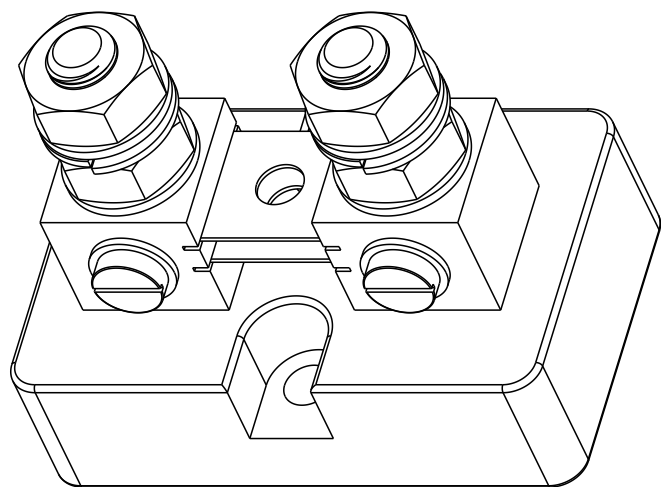


REVISIONS

P	LTR	DESCRIPTION	DATE	DWN	APVD
1		NEW LAYOUT	01JUN2020	SM	NJ



5A to 150A

THIS DRAWING IS A CONTROLLED DOCUMENT.		DWN 01JUN2020 SATYA.M		
		CHK 01JUN2020 NIGEL JOHNSON		
DIMENSIONS: mm		APVD 01JUN2020 NIGEL JOHNSON	NAME ANSI SHUNT TM RANGE 5-150A DIMENSION DRAWING	
TOLERANCES UNLESS OTHERWISE SPECIFIED:		PRODUCT SPEC	RESTRICTED TO	
0 PLC ± 1 PLC ± 2 PLC ± 3 PLC ± 4 PLC ± ANGLES ±		APPLICATION SPEC	SIZE A3	CAGE CODE 00779
MATERIAL		WEIGHT	DRAWING NO CI-3L50501	SCALE 3:2
FINISH		CUSTOMER DRAWING	SHEET 1 OF 1	REV 1