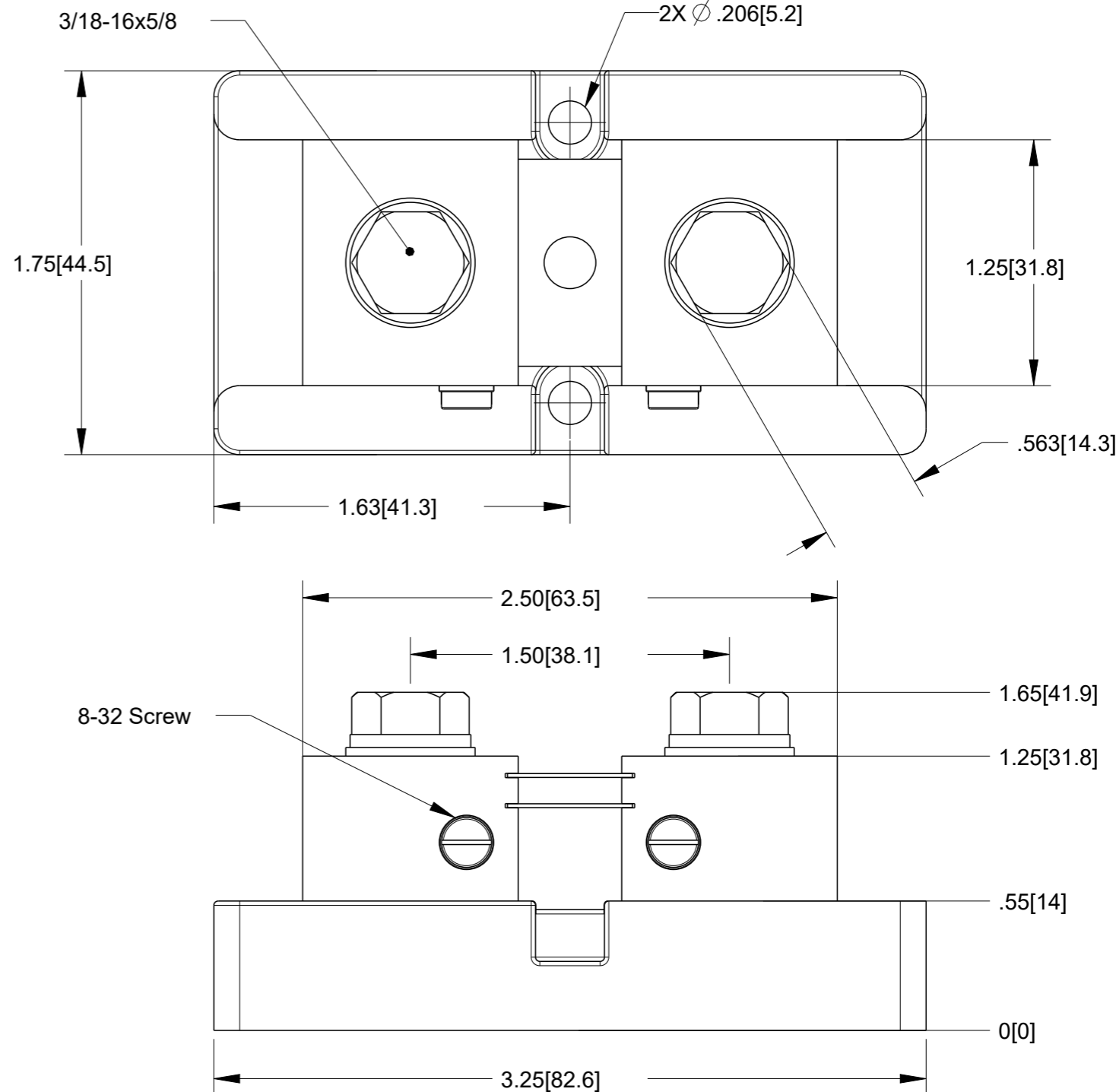
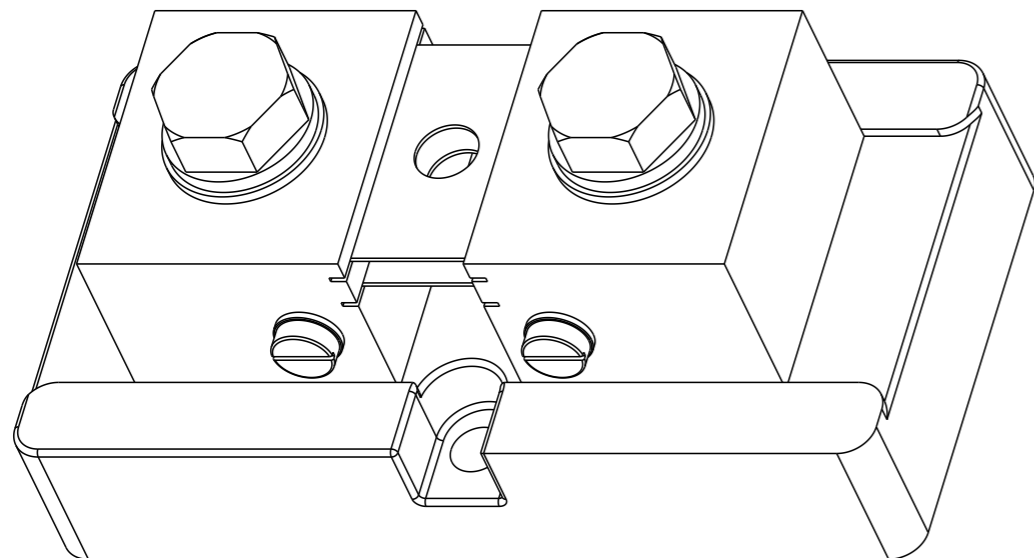


REVISIONS

P	LTR	DESCRIPTION	DATE	DWN	APVD
1		NEW LAYOUT	01JUN2020	SM	NJ



170A to 600A

THIS DRAWING IS A CONTROLLED DOCUMENT.		DWN 01JUN2020 SATYA.M		
		CHK 01JUN2020 NIGEL JOHNSON		
DIMENSIONS: mm		APVD 01JUN2020 NIGEL JOHNSON	NAME ANSI SHUNT TM RANGE 170-600A DIMENSION DRAWING	
TOLERANCES UNLESS OTHERWISE SPECIFIED:		PRODUCT SPEC	RESTRICTED TO	
0 PLC \pm		APPLICATION SPEC	SIZE	CAGE CODE
1 PLC \pm			A3	00779
2 PLC \pm		WEIGHT	DRAWING NO C=CI-3L50601	
3 PLC \pm			SCALE	
4 PLC \pm			3:2	
ANGLES \pm			SHEET	
FINISH			1 OF 1	
MATERIAL			REV	
			1	
		CUSTOMER DRAWING		