

4

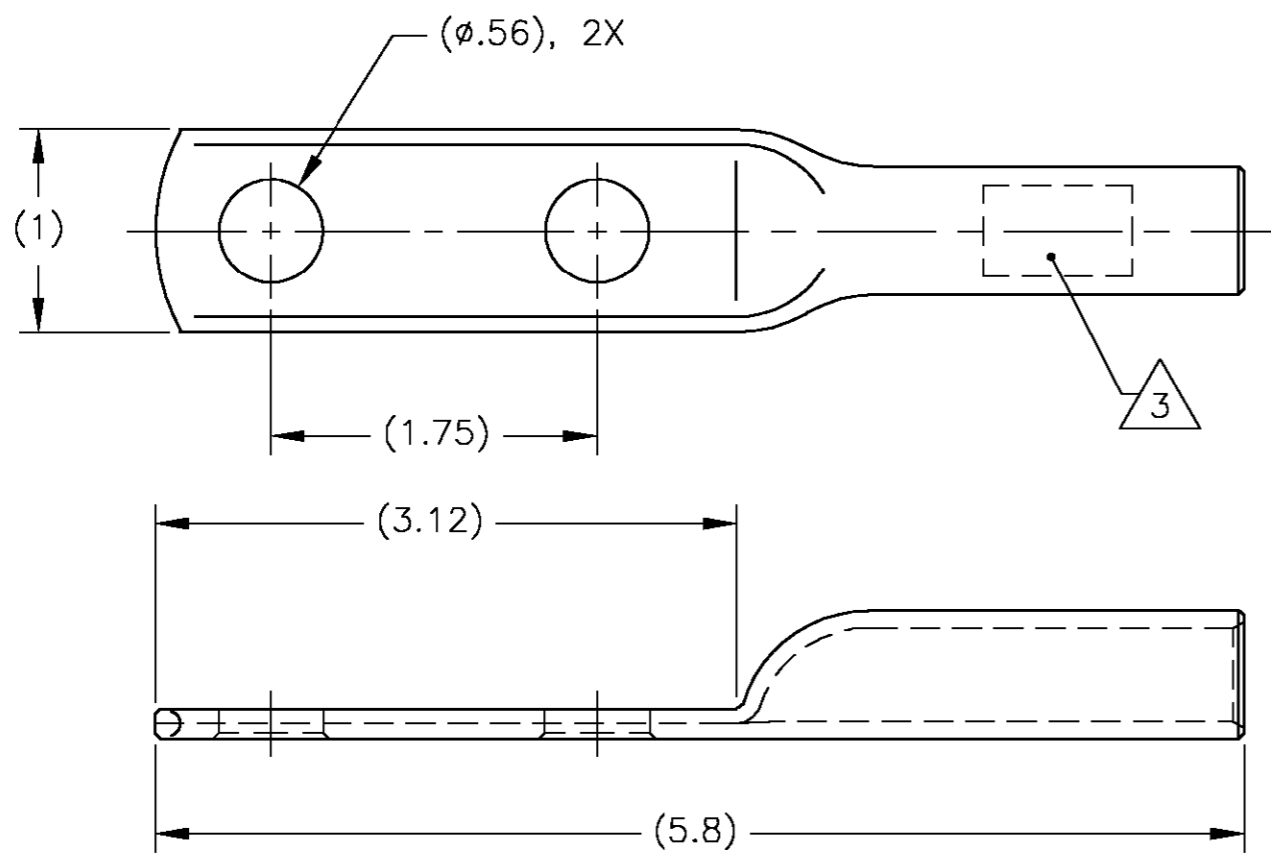
3

2

1

THIS DRAWING IS UNPUBLISHED. RELEASED FOR PUBLICATION
 © COPYRIGHT BY TYCO ELECTRONICS CORPORATION. ALL RIGHTS RESERVED.

| LOC | DIST | REVISIONS | | | |
|-----|------|-------------|----------------------------------|---------|-------|
| P | LTR | DESCRIPTION | DATE | DWN | APVD |
| GA | 1 | B | PER LC20-0030-07 / ECO-07-001970 | 30JAN07 | DM BJ |



- 1 MATERIAL:
E.T.P. COPPER ALLOY.
- 2 ACCOMMODATES:
3/0 AWG (.470 DIA.) COPPER CABLE.
- 3 MARKING:
TYCO 4-1199020-7
CKLL302NTN
3/0 AWG
CSA 22 CU
[D/C]
- 4 HARDNESS:
SOFT TEMPERED.
- 5 FINISH:
ELECTRO-TIN PLATE.
- 6 ALL DIMENSIONS ARE FOR REFERENCE ONLY.

| | | | |
|------------|----------|------------|-------------|
| L877 | 10479 | CKLL302NTN | 4-1199020-7 |
| O.H. SPEC. | H.O. NO. | CAT. P/N | TYCO P/N |

| | | | | |
|--|--|---------------------------------|--|--|
| THIS DRAWING IS A CONTROLLED DOCUMENT. | | DWN D. MURUGIAH 24NOV2005 | Tyco Electronics Corporation Markham, ON L3R-1E1 | |
| DIMENSIONS: INCHES | | CHK A. BULZA 28NOV2005 | NAME COPPER COMPRESSION TERMINAL, 2 HOLE PAD, 3/0 AWG COPPER CABLE | |
| TOLERANCES UNLESS OTHERWISE SPECIFIED: | | APVD B. JOHNSON 28NOV2005 | PRODUCT SPEC | |
| 0 PLC ± | | APPLICATION SPEC | | |
| 1 PLC ± | | SIZE | | |
| 2 PLC ± | | CAGE CODE | | |
| 3 PLC ± | | DRAWING NO | | |
| 4 PLC ± | | RESTRICTED TO | | |
| ANGLES ± | | A3 00779 C-4-1199020-7 | | |
| MATERIAL | | WEIGHT | | |
| FINISH | | CUSTOMER DRAWING | | |
| 1 | | SCALE NTS | | |
| 5 | | SHEET 1 OF 1 | | |
| | | REV B | | |