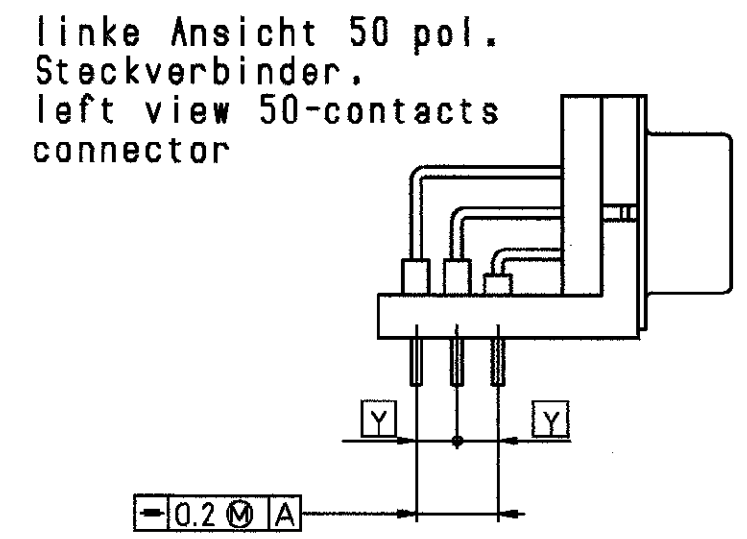
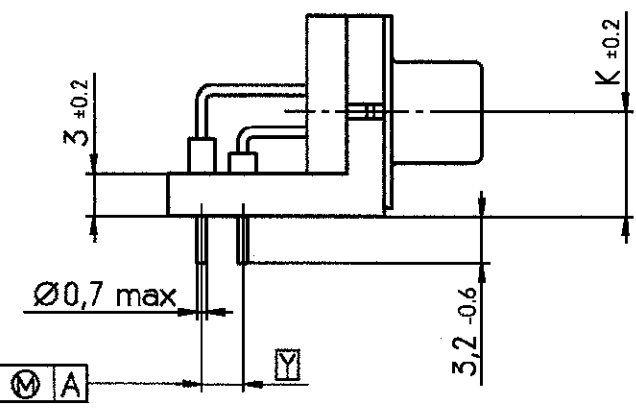
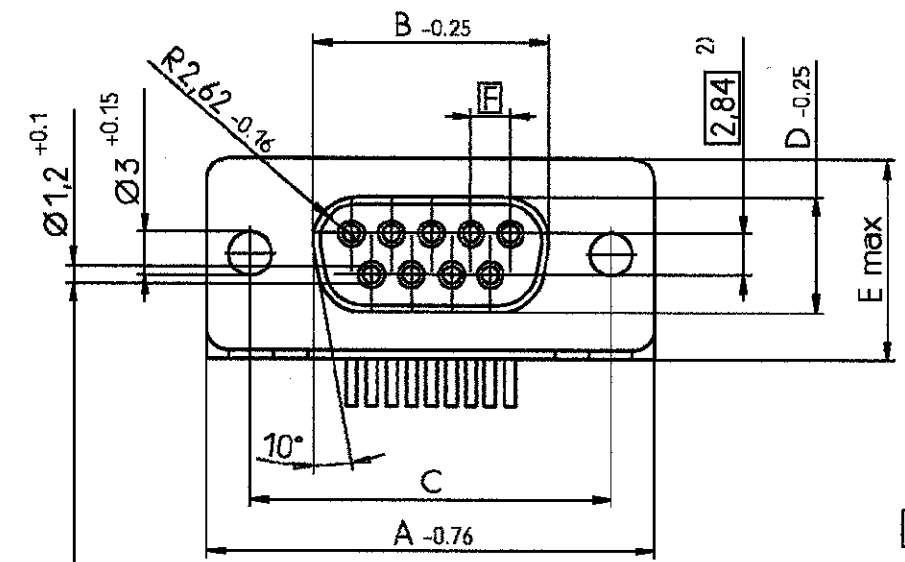
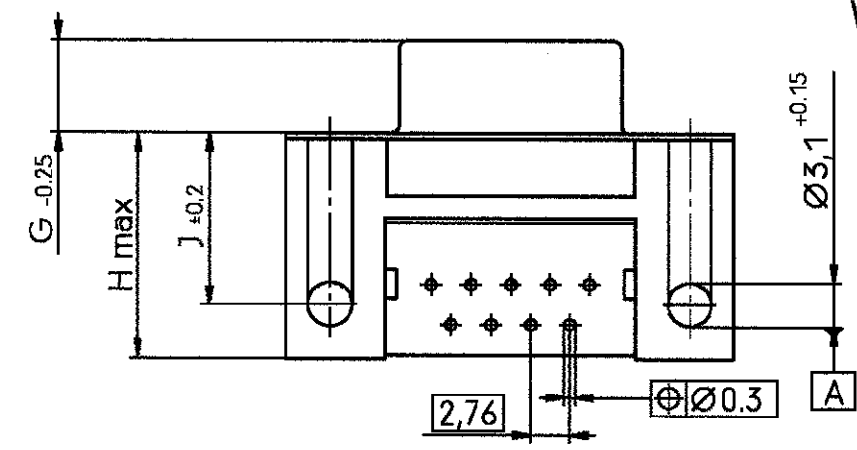


SUBSIDIARIES AND AFFILIATES. IT MAY NOT BE DISCLOSED TO ANYONE, OTHER THAN TYCO ELECTRONICS PERSONNEL, WITHOUT WRITTEN AUTHORIZATION FROM TYCO ELECTRONICS CORPORATION, HARRISBURG PENNSYLVANIA USA

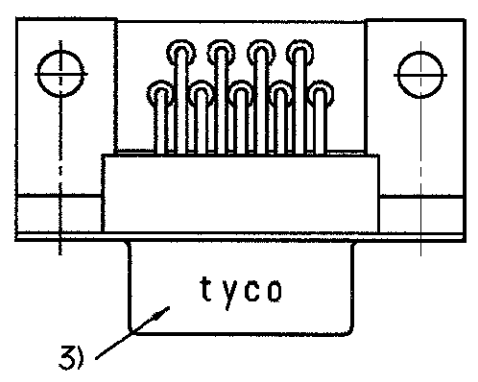
Standardausführung // standard version: V42254-A32*6-B***
V42254-A32*8-B***

- 4) Nur notwendig bei Ausführung mit Masselötlift (V42254-A33***-B***)
- 3) Beschriftung nicht bei V42254-A3**5-B***
V42254-A3**8-B***
- 2) Bemerkung: 50-polig: dreireihig
- 1) nach DIN 41652 T.2 und T.4
- 4) only necessary for version with grounding soldering pin (V42254-A33***-B***)
- 3) no marking for V42254-A3**5-B***
V42254-A3**8-B***
- 2) remark: 50-contacts version: 3 contact rows
- 1) according to DIN 41652 p.2 and p.4

Sachnr. ordering code V42254-	Y
A3*1*-B***	2.84
A3*3*-B***	
A3*2*-B***	2.54
A3*4*-B***	



alle Kontakte
Ø0.08
all contacts



ordering code Sachnr. V42254-A3***-	Polzahl No. of contacts	dimension Maß	A	B	C	D	E	F	G	H	J	K
B*09	09		31.19	16.46	25.0 ± 0.12 -0.13	8.02	13.9	2.74	6.3	16	11.7	7.3
B*15	15		39.52	24.79	33.3 ± 0.15 -0.15	8.02	13.9	2.74	6.3	16	11.7	7.3
B*25	25		53.42	38.5	47.04 ± 0.13 -0.13	8.02	13.9	2.76	6.3	16	11.7	7.3
B*37	37		69.7	54.96	63.5 ± 0.13 -0.13	8.02	13.9	2.76	6.3	16	11.7	7.3
B*50	50 ²⁾		67.31	52.55	61.1 ± 0.14 -0.11	10.87	16.75	2.76	6.3	18.6	13.1	8.8

Anforderungsstufe performance level 1)

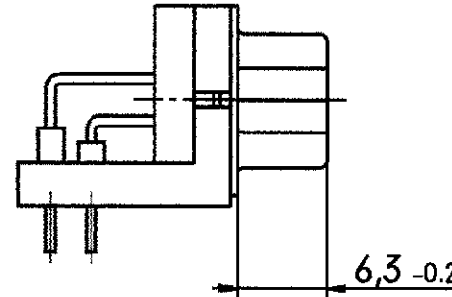
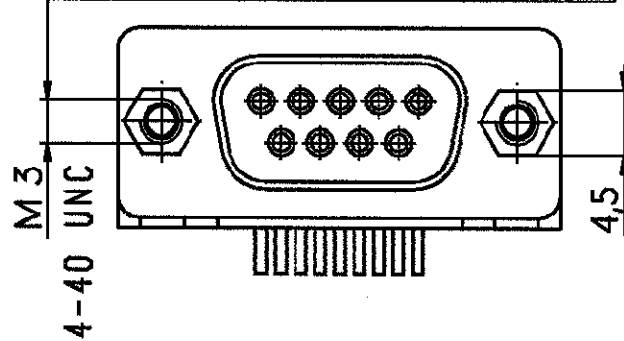
dargestellt wird die 9-polige Ausführung
drawn is the 9-contacts version

tyco TYCO ELECTRONICS CORPORATION		SCALE 2:1		WEIGHT	
OOSTKAMP - BELGIUM		LOC GW DIMENSIONS IN MM		MATERIAL	
DATE 12.03.90		NAME Embo		PART NAME	
DEP. PE Com PE&SE		TOLERANCE UNLESS SPECIFIED OTHERWISE		Sub-D Lötstiften 90° Kunststoffwinkel Buchsenleiste	
REV. CHANGE ORDER		DATE		PART NO.	
APP. Customer Drawing Nr. C 4-1393484-9		DATE 28 AUG 00		V42254-A3***-B***-*-27	
DATE 12.02.92		KVR		SHT. 1+	
DATE 08.05.91		RSt		OF 5	
DATE 12.03.90		E			

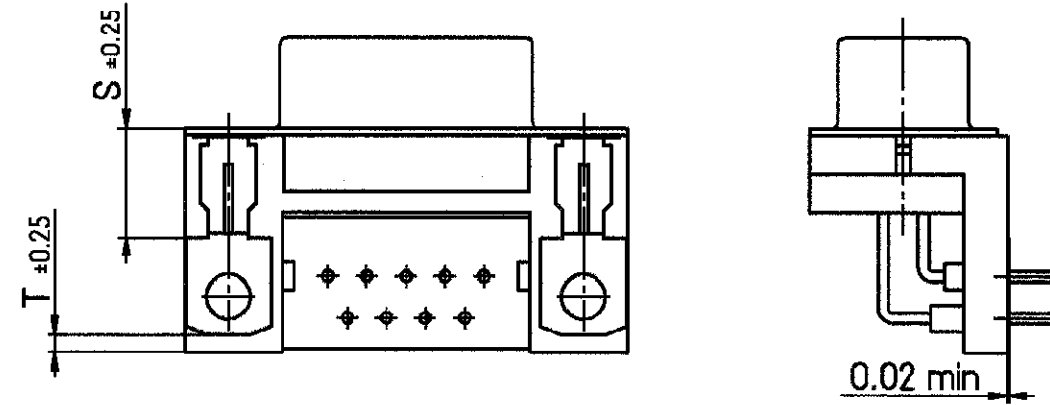
mit Gewindebolzen:
with screwlock stud bolts:

M3: V42254-A3**9-B*** 4-40UNC: V42254-A3**5-B***
V42254-A3**7-B***

Verdrehsicherheit \geq 70 Ncm
torque retention \geq 70 Ncm

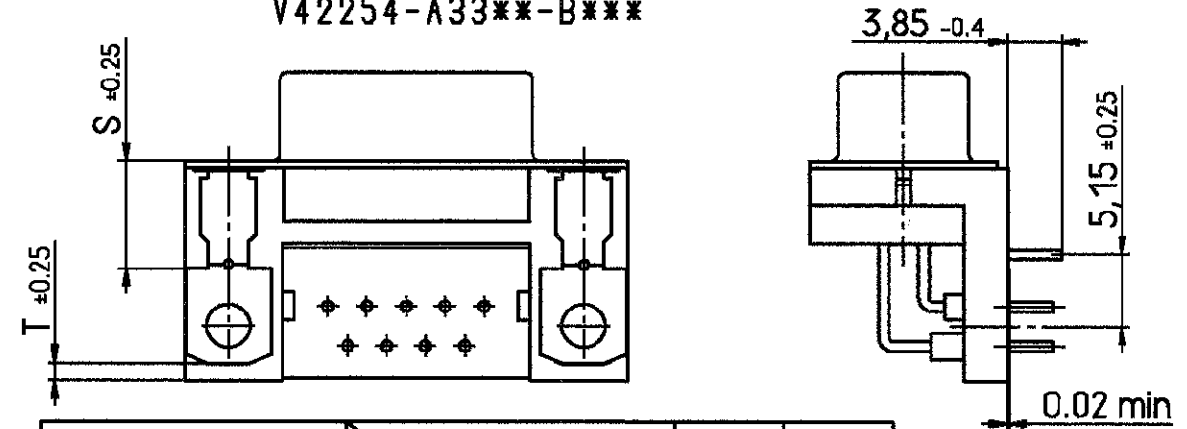


mit Masseblech:
with grounding plate: V42254-A31**~B***



mit Masseblech und Masselötlstift:
with grounding plate and mass soldering pin:

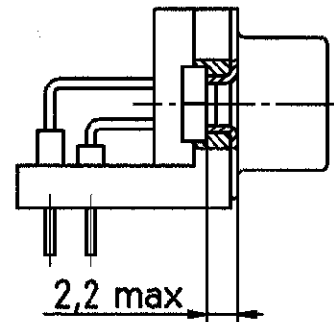
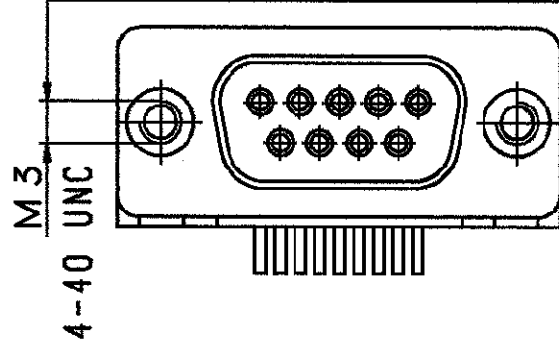
V42254-A33**~B***



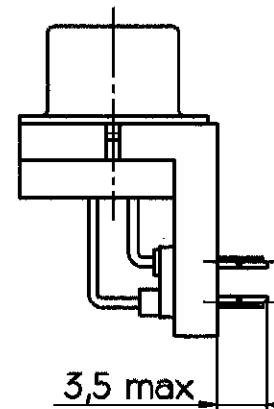
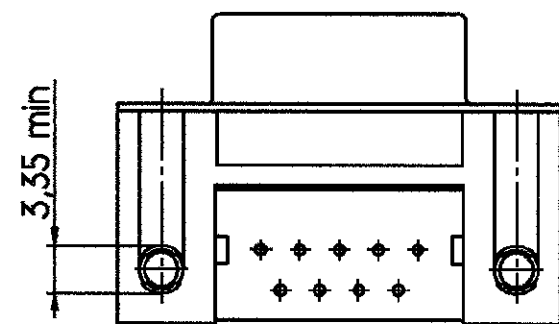
mit Gewindeeinsätze:
with thread inserts:

M3: V42254-A3**3-B*** 4-40UNC: V42254-A3**1-B***

Verdrehsicherheit \geq 70 Ncm
torque retention \geq 70 Ncm



mit Clipbefestigung: V42254-A3*3**~B***
with grounding socket: V42254-A3*4**~B***



Sachnr. ordering code V42254-A31**~ oder // or V42254-A33**~	Pol- zahl no. of contacts	dimension Maß	
		S	T
B*09	09	7.75	1.15
B*15	15	7.75	1.15
B*25	25	7.75	1.15
B*37	37	7.75	1.15
B*50	50	9.15	2.25

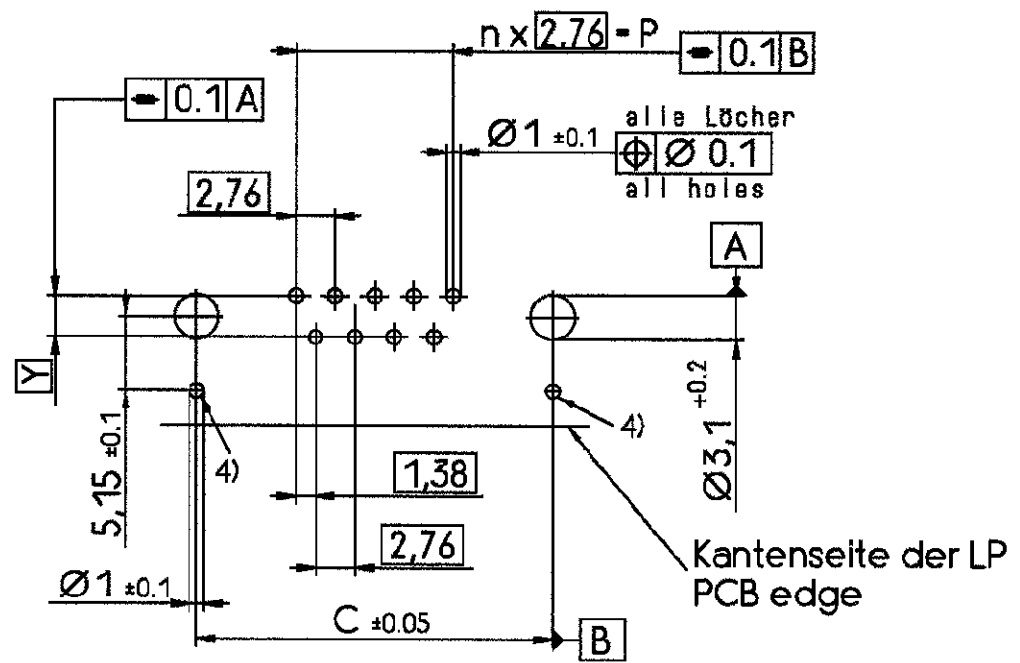
tyco TYCO ELECTRONICS CORPORATION		SCALE 2:1		WEIGHT	
OOSTKAMP - BELGIUM		DIMENSIONS IN MM		MATERIAL	
DATE 12.03.90		PART NAME		Sub-D Lötstiften 90° Kunststoffwinkel	
NAME Embo		PART NO.		V42254-A3***~B***~*~27	
DEP. PE Com PE&SE		TOLERANCE UNLESS SPECIFIED OTHERWISE		SHT. 2+	
REV. CHANGE ORDER DATE APP. Customer Drawing Nr. C 4-1393484-9		OF 5			

dargestellt wird die 9-polige Ausführung
drawn is the 9-contacts version

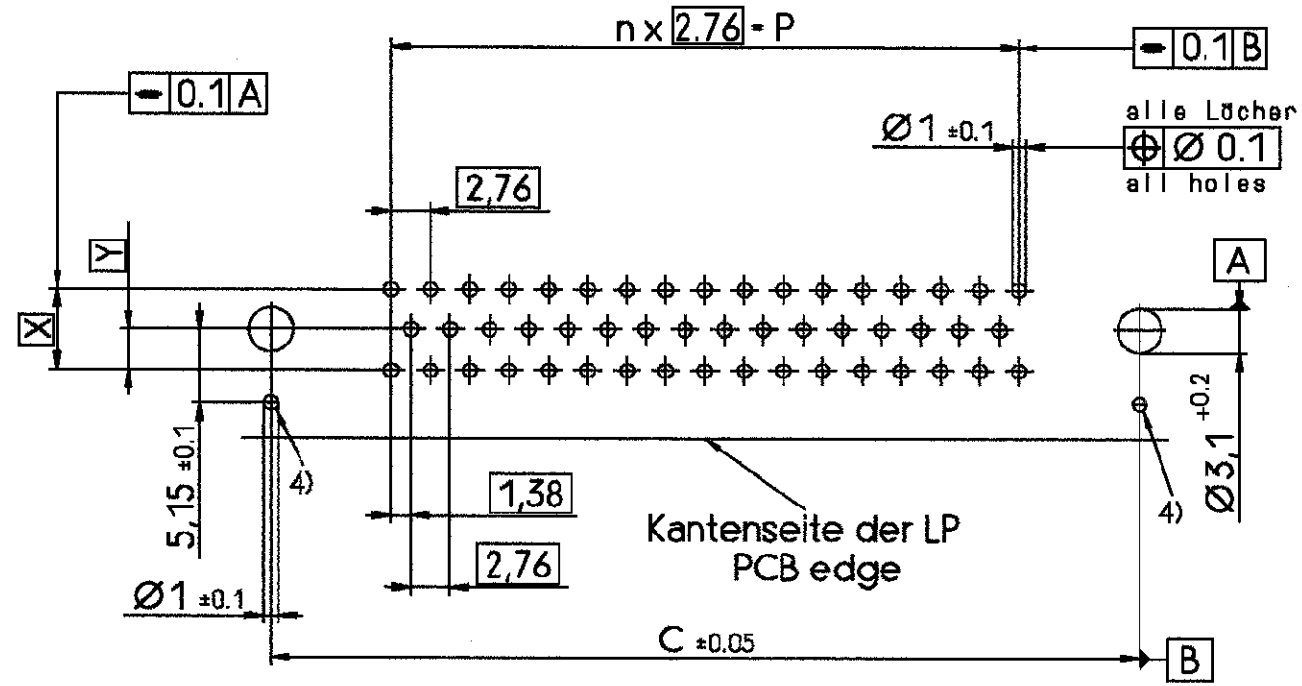
LP-Dicke: 1.6 ± 0.13 mm
PCB thickness:
Lochdurchmesser: 3.1^{+0.2} mm
hole diameter:

SUBSIDIARIES AND AFFILIATES. IT MAY NOT BE DISCLOSED TO ANYONE, OTHER THAN TYCO ELECTRONICS PERSONNEL,
WITHOUT WRITTEN AUTHORIZATION FROM TYCO ELECTRONICS CORPORATION, HARRISBURG PENNSYLVANIA USA

Leiterplattenbohrung
(dargestellt wird die 9-polige Ausführung)
PCB layout
(drawn is the 9-contacts version)



50-polige Ausführung
50-contacts version



Erläuterungen: Seite 1+
remarks: see page 1+

Polzahl no. of contacts	n	C	P
9	4	25.0	11.04
15	7	33.3	19.32
25	12	47.04	33.12
37	18	63.5	49.68
50	16	61.1	44.16

Sachnr. ordering code	Y	X
V42254-		
A3*1*-B***	2.84	5.68
A3*3*-B***		
A3*2*-B***	2.54	5.08
A3*4*-B***		

tyco		TYCO ELECTRONICS CORPORATION		SCALE 2:1	WEIGHT
Electronics		OOSTKAMP - BELGIUM	LOC GW	DIMENSIONS IN MM	
DATE	12.03.90	PART NAME		Sub-D Lötstiften 90° Kunststoffwinkel	
NAME	Embo	PART NO.		V42254-A3***-B***-27	
DEP.	PE Com PE&SE	TOLERANCE UNLESS SPECIFIED OTHERWISE		SHT. 3+	
REV.	CHANGE ORDER	DATE	APP.	Customer Drawing Nr. C 4-1393484-9	
B	EHD1-1452-03	02 DEC 03	lvdl	OF 5	
A	W000/7020	28 AUG 00	KV		
01		12.02.92	KVR		
52		08.05.91	RSt		
51		12.03.90	E		

SUBSIDIARIES AND AFFILIATES. IT MAY NOT BE DISCLOSED TO ANYONE, OTHER THAN TYCO ELECTRONICS PERSONNEL, WITHOUT WRITTEN AUTHORIZATION FROM TYCO ELECTRONICS CORPORATION, HARRISBURG PENNSYLVANIA USA

V 4 2 2 5 4 - A 3 * * * - B * * *

	Winkelausführung // connection type
1	mit Masseblech // with grounding plate
2	Standardausführung // standard version
3	mit Masseblech und Masselötlift // with grounding plate and grounding soldering pin

	Anschlußoberfläche / Raster // tail surface / center spacing		Leiterplattenbefestigung // PC board mounting
1	verzinkt ohne Clip / 2.76 x 2.84 // tinned // without grounding socket		2.76 x 2.84
2	verzinkt ohne Clip / 2.76 x 2.54 // tinned // without grounding socket		2.76 x 2.54
3	verzinkt mit Clip / 2.76 x 2.84 // tinned // with grounding socket		2.76 x 2.84
4	verzinkt mit Clip / 2.76 x 2.54 // tinned // with grounding socket		2.76 x 2.54

	Polzahl // no. of contacts
09	9-polig // 9-contacts
15	15-polig // 15-contacts
25	25-polig // 25-contacts
37	37-polig // 37-contacts
50	50-polig // 50-contacts

SUPERSEDED

RESTRICTED

	Kontaktfläche / Kontaktart // contact surface / contact type
1	Anforderungsstufe 1 / gerollte Kontakte // performance level I / rolled contact
2	Anforderungsstufe 2 / gerollte Kontakte // performance level II / rolled contact

	Steckverbinderunterscheidung // connector versions			
	verzinkt tinned	mit tyco- Beschriftung auf Blechteil with tyco marking on the shell	mit mutter with nut	mit Gewinde- bolzen with screwlock stud bolts
1	ja // yes	ja // yes	4-40UNC	nein // no
3	ja // yes	ja // yes	M3	nein // no
5	ja // yes	nein // no	nein // no	4-40UNC
6	ja // yes	ja // yes	nein // no	nein // no
7	ja // yes	ja // yes	nein // no	4-40UNC
8	ja // yes	nein // no	nein // no	nein // no
9	ja // yes	ja // yes	nein // no	M3

	Steckerart // connector type
B	Buchsenleiste // female connector

tyco TYCO ELECTRONICS CORPORATION		SCALE		WEIGHT	
OOSTKAMP - BELGIUM		DIMENSIONS IN MM		MATERIAL	
DATE	12.03.90	PART NAME		Sub-D Lötstiften 90° Kunststoffwinkel	
NAME	Embo	PART NO.		D-Sub soldering pins 90° plastic bracket	
DEP.	PE Com PE&SE	TOLERANCE UNLESS SPECIFIED OTHERWISE		female connector	
REV. CHANGE ORDER	DATE	APP.	Customer Drawing Nr. C 4-1393484-9	SFT.	4+
B	EH01-1452-03	02 DEC 03		V42254-A3***-B***-*-27	OF 5
A	W0007020	28 AUG 00	KV		

SUBSIDIARIES AND AFFILIATES. IT MAY NOT BE DISCLOSED TO ANYONE, OTHER THAN TYCO ELECTRONICS PERSONNEL, WITHOUT WRITTEN AUTHORIZATION FROM TYCO ELECTRONICS CORPORATION, HARRISBURG PENNSYLVANIA USA

SUBSIDIARIES AND AFFILIATES, IT MAY NOT BE DISCLOSED TO ANYONE, OTHER THAN TYCO ELECTRONICS PERSONNEL, WITHOUT WRITTEN AUTHORIZATION FROM TYCO ELECTRONICS CORPORATION, HARRISBURG PENNSYLVANIA USA

Active part numbers. Contact Tyco Electronics for other configuration availability

Active part numbers. Contact Tyco Electronics for other configuration availability

Old Part Number	Tyco Part Number		primary	secondary
V42254-A3111-B209	4-1393484-9	superseded	2-1393478-2	7-1393479-3
V42254-A3111-B225	5-1393484-0	superseded	2-1393478-3	7-1393479-5
V42254-A3126-B209	5-1393484-3	superseded	3-1393478-8	8-1393479-4
V42254-A3126-B225	5-1393484-4	superseded	4-1393478-0	8-1393479-5
V42254-A3127-B209	5-1393484-5	superseded	7-1393478-8	
V42254-A3141-B209	5-1393484-6	superseded	3-1393479-8	
V42254-A3141-B215	5-1393484-7	superseded	3-1393479-9	
V42254-A3141-B225	5-1393484-8	superseded	4-1393479-0	1-1393480-0
V42254-A3141-B237	5-1393484-9	superseded	4-1393479-1	
V42254-A3147-B209	6-1393484-2	superseded	5-1393479-9	1-1393480-2
V42254-A3147-B215	6-1393484-3	superseded	6-1393479-0	1-1393480-3
V42254-A3147-B225	6-1393484-4	superseded	6-1393479-1	
V42254-A3216-B209	7-1393484-0	superseded	0-1393478-4	6-1393479-8
V42254-A3216-B215	7-1393484-1	superseded	0-1393478-5	6-1393479-9
V42254-A3216-B225	7-1393484-2	superseded	0-1393478-6	7-1393479-0
V42254-A3216-B237	7-1393484-3	superseded	0-1393478-7	
V42254-A3216-B250	0-1393741-9	restricted	OBSOLETE	
V42254-A3217-B209	8-1393484-1	superseded	2-1393478-5	8-1393479-2
V42254-A3217-B215	8-1393484-2	superseded	2-1393478-6	
V42254-A3217-B225	8-1393484-3	superseded	2-1393478-7	
V42254-A3221-B209	8-1393484-6	superseded	5-1393478-8	
V42254-A3221-B215	8-1393484-7	superseded	5-1393478-9	
V42254-A3221-B225	8-1393484-8	superseded	6-1393478-0	9-1393479-6
V42254-A3223-B215	9-1393484-0	superseded	5-1393478-1	9-1393479-2
V42254-A3226-B125	9-1393484-5	superseded	3-1393478-6	
V42254-A3226-B209	9-1393484-6	superseded	3-1393478-8	8-1393479-4
V42254-A3226-B215	9-1393484-7	superseded	3-1393478-9	5-1393487-6
V42254-A3226-B225	9-1393484-8	superseded	4-1393478-0	8-1393479-5
V42254-A3226-B237	9-1393484-9	superseded	4-1393478-1	5-1393487-7
V42254-A3226-B250	1-1393741-4	restricted	OBSOLETE	
V42254-A3227-B109	0-1393485-6	superseded	7-1393478-5	
V42254-A3227-B209	0-1393485-7	superseded	7-1393478-8	
V42254-A3227-B215	0-1393485-8	superseded	6-1393487-6	
V42254-A3227-B225	0-1393485-9	superseded	7-1393478-9	6-1393487-7
V42254-A3229-B215	1-1393485-3	superseded	3-1393478-9	
V42254-A3231-B209	1-1393485-6	superseded	9-1393478-3	0-1393480-6
V42254-A3231-B237	1-1393485-7	superseded	8-1393478-2	
V42254-A3233-B237	1-1393485-8	superseded	2-1393479-9	
V42254-A3236-B225	1-1393485-9	superseded	8-1393478-4	
V42254-A3241-B209	2-1393485-0	superseded	3-1393479-8	
V42254-A3241-B225	2-1393485-1	superseded	4-1393479-0	1-1393480-0
V42254-A3247-B209	2-1393485-2	superseded	5-1393479-9	1-1393480-2
V42254-A3316-B237	2-1393485-5	superseded	0-1393478-7	
V42254-A3317-B209	2-1393485-7	superseded	2-1393478-5	8-1393479-2
V42254-A3317-B215	2-1393485-8	superseded	2-1393478-6	
V42254-A3317-B225	2-1393485-9	superseded	2-1393478-7	
V42254-A3317-B237	3-1393485-0	superseded	2-1393478-8	
V42254-A3321-B209	3-1393485-4	superseded	5-1393478-8	

Old Part Number	Tyco Part Number		primary	secondary
V42254-A3326-B209	3-1393485-8	superseded	3-1393478-8	8-1393479-4
V42254-A3326-B215	3-1393485-9	superseded	3-1393478-9	5-1393487-6
V42254-A3326-B225	4-1393485-0	superseded	4-1393478-0	8-1393479-5
V42254-A3326-B237	4-1393485-1	superseded	4-1393478-1	5-1393487-7
V42254-A3327-B209	4-1393485-5	superseded	7-1393478-8	6-1393487-5
V42254-A3327-B215	4-1393485-6	superseded	6-1393487-6	
V42254-A3327-B225	4-1393485-7	superseded	7-1393478-9	6-1393487-7
V42254-A3327-B237	4-1393485-8	superseded	4-1393478-1	
V42254-A3331-B209	5-1393485-3	superseded	9-1393478-3	0-1393480-6
V42254-A3336-B215	5-1393485-4	superseded	8-1393478-3	
V42254-A3341-B209	5-1393485-6	superseded	3-1393479-8	
V42254-A3343-B209	5-1393485-7	superseded	2-1393479-6	
V42254-A3346-B209	5-1393485-8	superseded	1-1393479-0	7-1393487-3
V42254-A3346-B215	5-1393485-9	superseded	1-1393479-1	
V42254-A3346-B225	6-1393485-0	superseded	1-1393479-2	7-1393487-5
V42254-A3347-B225	6-1393485-4	superseded	6-1393479-1	8-1393487-8
V42254-A3347-B237	6-1393485-5	superseded	6-1393479-2	8-1393487-9
V42254-A3347-B250	2-1393741-5	restricted	OBSOLETE	

tyco		TYCO ELECTRONICS CORPORATION				SCALE	WEIGHT
Electronics		OOSTKAMP - BELGIUM		LOC DIMENSIONS IN MM		MATERIAL	
REV. CHANGE ORDER		DATE		APP.		PART NAME	
A W00/7020		28 AUG 00 KV		Customer Drawing Nr. C 4-1393484-9		Sub-D Lötstiften 90° Kunststoffwinkel Buchsenleiste D-Sub soldering pins 90° plastic bracket female connector	
B EH01-1452-03		02 DEC 03 JvdH		TOLERANCE UNLESS SPECIFIED OTHERWISE		PART NO. V42254-A3***-B***-*-27	
						SHT. 5- OF 5	