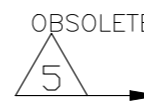


P	LTR	DESCRIPTION	DATE	DWN	APVD
	B	REVISED PER ECO-21-008021	30AUG2021	RZ	HL
	A2	REVISED PER ECO-16-008068	06FEB16	BJ	SY

NOTES:

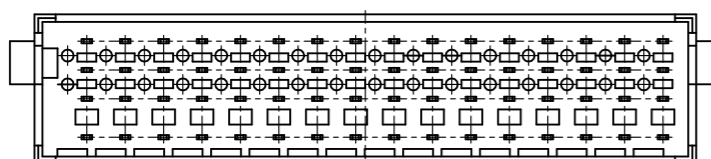
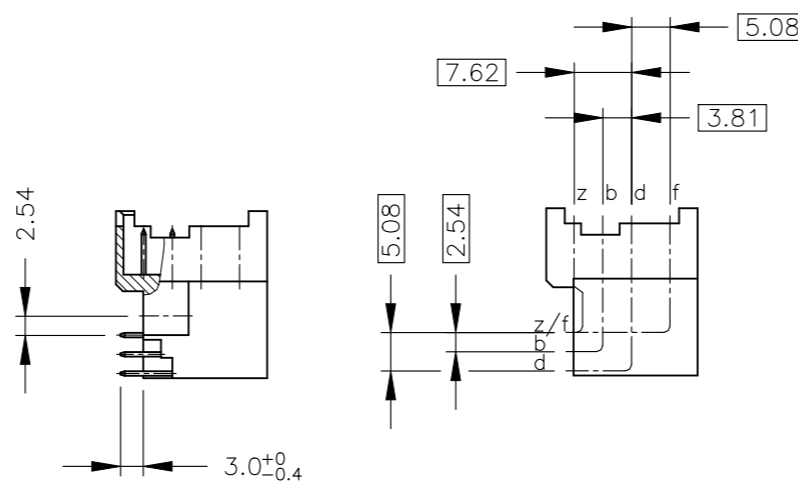
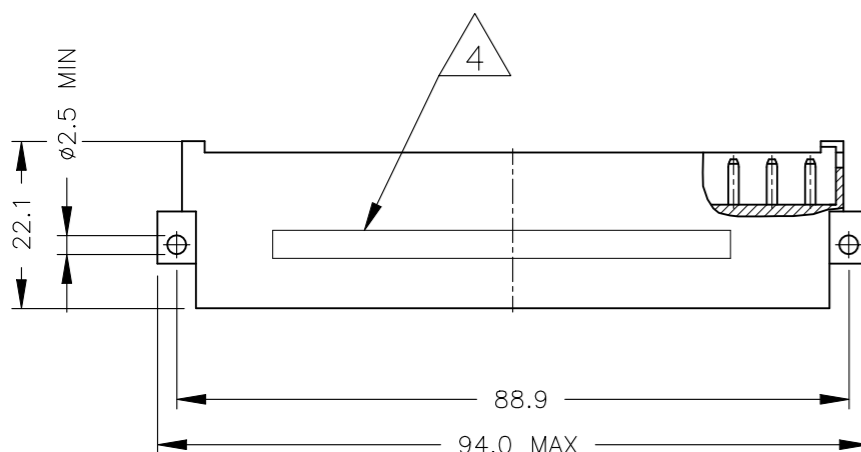
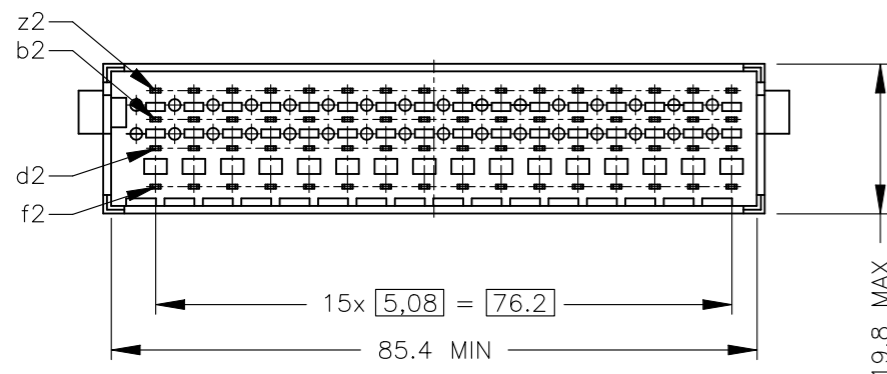
- HOUSING: GLASS FILLED THERMOPLASTIC UL 94 V-0 RATED; GREY
- CONTACTS: COPPER ALLOY
- PLATING:
CONTACT AREA: PERFORMANCE LEVEL 1 OR 2 (SEE TABLE)
ACCORDING TO DIN 41612 AND EN 60603-2, TYPE G
SOLDERING AREA: 3-7µm TIN OVER 0,8µm NICKEL
CONNECTOR IS PRINTED WITH PARTNUMBER AND DATECODE
PART IDENTICAL TO 5-9



OBSOLETE

P/N	PERF.LVL	CONTACT ASSIGNMENT			POS
		1	2	3	
4-2 5-9 6-0	1	1	2	3	64
	2	z	+	+	
	2	b	+	+	
	2	d	+	+	
4-4 6-1	1	1	2	3	64
	2	z	v	+	
	2	b	v	+	
	2	d	+	+	

+ CONTACT
v PREMATING CONTACT 1,3mm



THIS DRAWING IS A CONTROLLED DOCUMENT.		DWN J.van Hoek 05OCT2007	TE Connectivity	
DIMENSIONS: mm		CHK B.Mooij 16OCT2007		
TOLERANCES UNLESS OTHERWISE SPECIFIED:		APVD J.Broeksteeg 16OCT2005	NAME	
0 PLC ± -		PRODUCT SPEC	EUROCARD MALE CONNECTOR TYPE G	
1 PLC ± -		APPLICATION SPEC	64 POS. ANGLED	
2 PLC ± -		WEIGHT 0.000000	SIZE A3	RESTRICTED TO
3 PLC ± -		CUSTOMER DRAWING	CAGE CODE 00779	DRAWING NO C-4-1393755-2
4 PLC ± -		SCALE 1:1	SHEET 1 OF 1	REV B
ANGLES ± -				
FINISH				