

LOC	DIST	REVISIONS					
		P	LTR	DESCRIPTION	DATE	DWN	APVD
A1	-		A	EG00-2686-01	13SEP2001	SS	JE

REFER TO CUSTOMER DRAWING
1418077


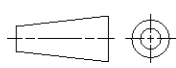
Siehe Kundenzeichnung
1418077

2000

RELEASED FOR PUBLICATION

THIS DRAWING IS UNPUBLISHED.

© COPYRIGHT 2000 BY TYCO ELECTRONICS CORPORATION. ALL RIGHTS RESERVED.

DIMENSIONS: mm	DWN	S.Storch	13SEP2001	MATERIAL	-	FINISH	-
	CHK	J.Evans	13SEP2001	 tyco Electronics AMP GmbH D - 64625 Bensheim	NAME 1,6 SYSTEM 8 WAY CONNECTOR, MALE, RED		
TOLERANCES UNLESS OTHERWISE SPECIFIED:	APVD	J.Evans	13SEP2001				
0 PLC ±	PRODUCT SPEC	-			SIZE		
1 PLC ±	APPLICATION SPEC	-			CAGE CODE	DRAWING NO	RESTRICTED TO
2 PLC ±	WEIGHT	-			A 4	00779	©=4-1437709-5
3 PLC ±					SCALE 1:1		
4 PLC ±					SHEET 1 OF 1		
ANGLES ±°					REV A		
	CUSTOMER DRAWING						