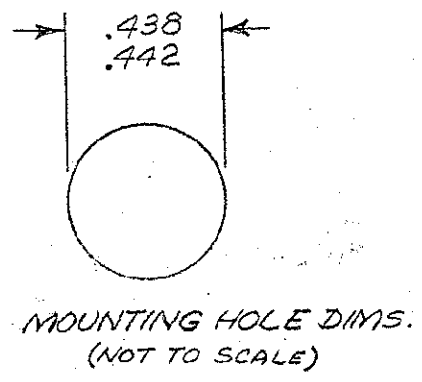
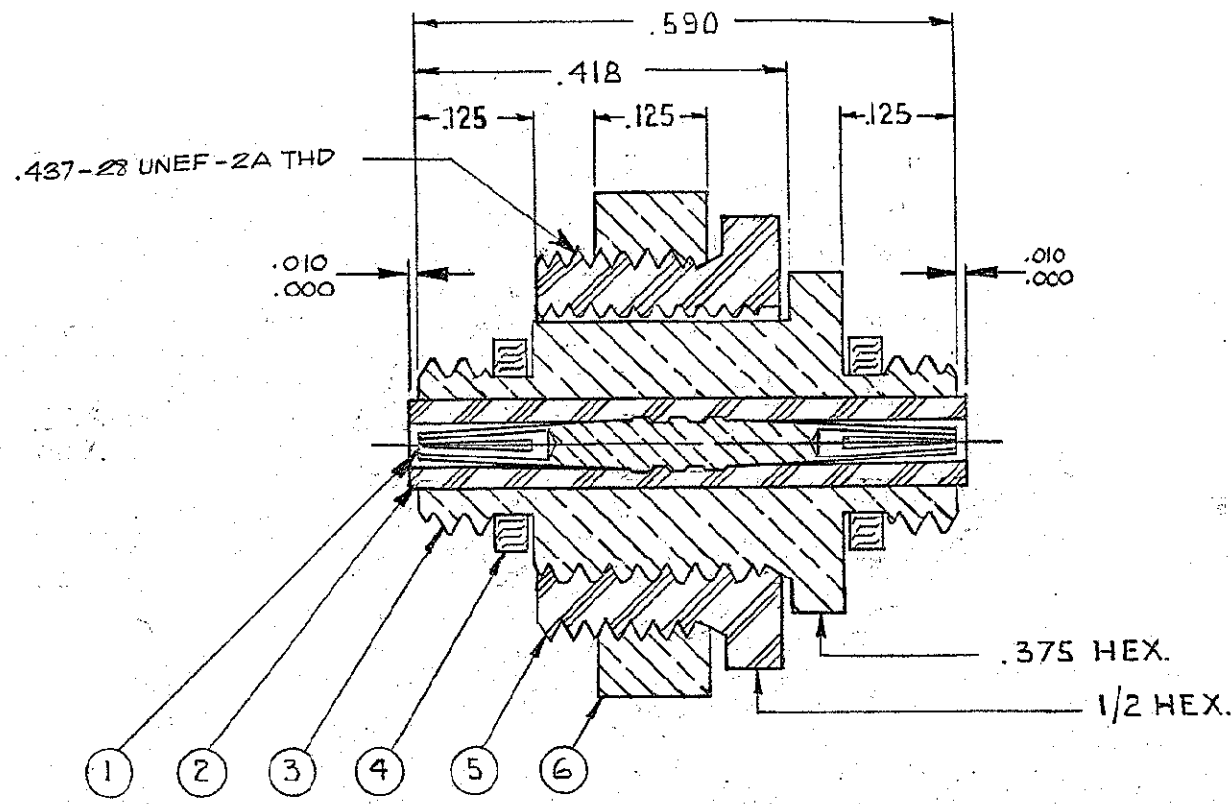
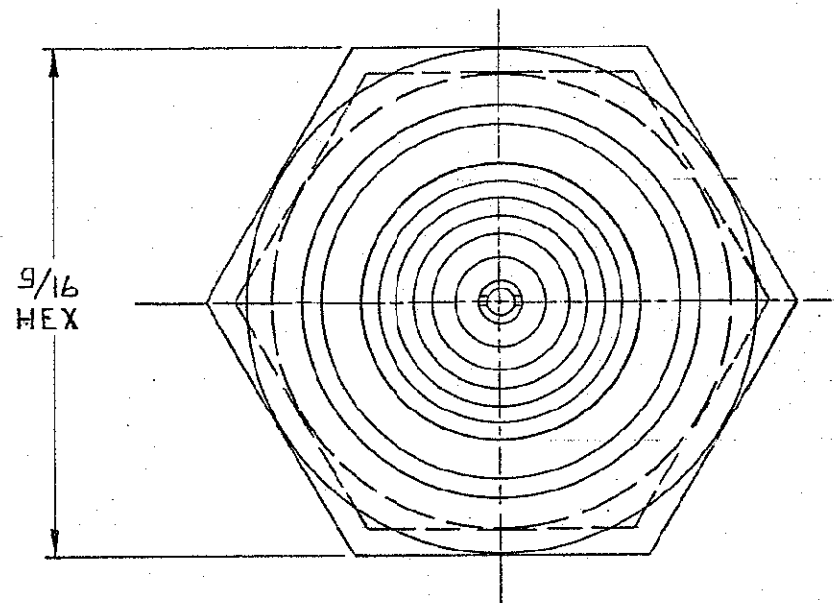


CODE 033-0219-0001 F
CDM

These drawings and specifications are the property of Microdot Inc., are issued in strict confidence and shall not be divulged, be reproduced or copied, or used as the basis for the manufacture or sale of any article without written permission of Microdot Inc.



1	005-0370-0001	HEX NUT	BRASS PER QQ-B-626	2	6
1	005-0553-0001	INSULATOR	NYLON		5
2	003-0268-0000	GASKET	SILICONE RUBBER		4
1	003-0221-0001	HOUSING	BRASS PER QQ-B-626	2	3
1	003-0222-0001	INSULATOR	TEFLON PER L-P-403		2
1	000-0201-0050	SOCKET	BERYLLIUM COPPER, QQ-C-530	3	1
REQ'D	PART NO	NOMENCLATURE	MAT'L & SPEC.	FINISH	ITEM

3 GOLD PLATE PER MIL-G-45204 TYPE II, GRADE C, CLASS I

2 SILVER PLATE .0002-.0004 PER QQ-S-365 TYPE II, GRADE A

1 THIS CONNECTOR MATES WITH ALL PLUGS IN S-50 SERIES AS LISTED IN MALCO CATALOG.

NOTES: UNLESS OTHERWISE SPECIFIED

<p>STANDARD TOLERANCES UNLESS OTHERWISE SPECIFIED DEC. ± .010 FRAC. ± _____ ANGLES ± _____ ECCENTRICITY _____ MAX. T.I.R. _____ HOLE DIA. ± _____ SURFACE ROUGHNESS _____ MICRO INCHES THREADS TO MIL-S-7742 COMMERCIAL TOLERANCES APPLY TO STOCK DIMENSIONS</p>		<p>MALCO A MICRODOT COMPANY, INC. 220 PASADENA AVE., SO. PASADENA, CAL</p>																						
<p>REVISIONS</p> <table border="1"> <tr> <th>REV</th> <th>DATE</th> <th>DESCRIPTION</th> </tr> <tr> <td>F</td> <td>3/95</td> <td>JEE BEN</td> </tr> <tr> <td>E</td> <td>2/22/22</td> <td>ADD .000 - .010 BOTH ENDS, UPDATE, DELETE THD. FLATE DIM. .294 MAX.</td> </tr> <tr> <td>D</td> <td>1/8/05</td> <td>ADDED 1/16-28 UNEF-2A THD CALLOUT ADDED MOUNTING HOLE DIM.</td> </tr> <tr> <td>C</td> <td>1/6/27</td> <td>REV. LETTERS UP-DATED</td> </tr> <tr> <td>B</td> <td>1/20/22</td> <td>ITEM 13003-0219-0002 REPLACED BY 000-0201-0050</td> </tr> <tr> <td>A</td> <td>6/4/68</td> <td>RELEASED FOR PRODUCTION</td> </tr> </table>		REV	DATE	DESCRIPTION	F	3/95	JEE BEN	E	2/22/22	ADD .000 - .010 BOTH ENDS, UPDATE, DELETE THD. FLATE DIM. .294 MAX.	D	1/8/05	ADDED 1/16-28 UNEF-2A THD CALLOUT ADDED MOUNTING HOLE DIM.	C	1/6/27	REV. LETTERS UP-DATED	B	1/20/22	ITEM 13003-0219-0002 REPLACED BY 000-0201-0050	A	6/4/68	RELEASED FOR PRODUCTION	<p>SURFACE TREATMENT NOTED</p> <p>MATERIAL NOTED</p> <p>APP: 5/11/67</p> <p>CHECKED BY: J.A.D.</p> <p>DRAWN BY: G.HOOGMAN</p> <p>SCALE: 5X</p> <p>WT: _____</p> <p>DATE: 5-2-67</p> <p>DRAWING NUMBER: 033-0219-0001 F</p>	
REV	DATE	DESCRIPTION																						
F	3/95	JEE BEN																						
E	2/22/22	ADD .000 - .010 BOTH ENDS, UPDATE, DELETE THD. FLATE DIM. .294 MAX.																						
D	1/8/05	ADDED 1/16-28 UNEF-2A THD CALLOUT ADDED MOUNTING HOLE DIM.																						
C	1/6/27	REV. LETTERS UP-DATED																						
B	1/20/22	ITEM 13003-0219-0002 REPLACED BY 000-0201-0050																						
A	6/4/68	RELEASED FOR PRODUCTION																						
<p>ASSEMBLY NO REQ'D</p> <p>NEXT ASSEMBLIES</p>		<p>ADAPTER-THRU BULKHEAD</p>																						