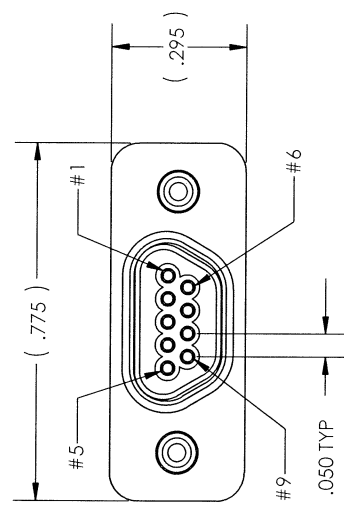


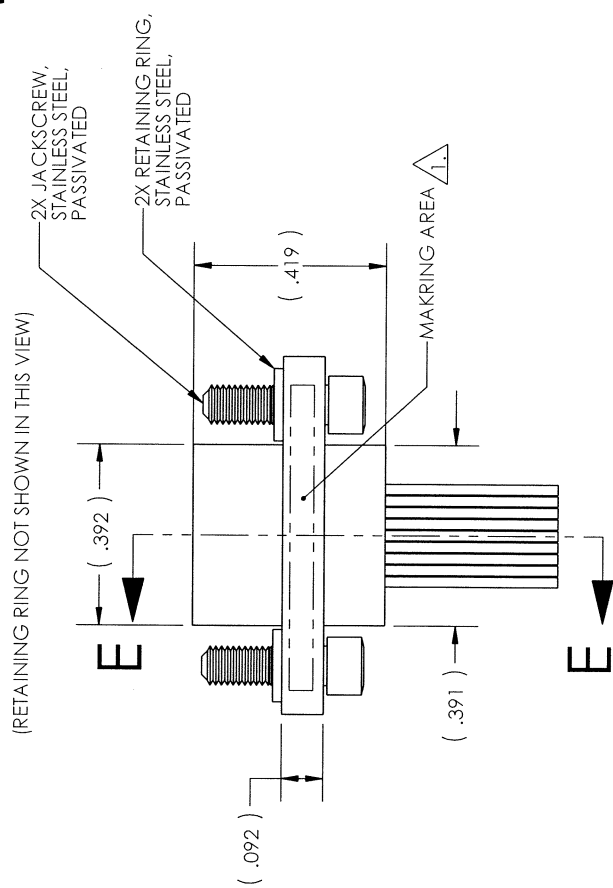
REVISION			
ZONE	LTR	ECN	DESCRIPTION
A	43737		NEW RELEASE.
			DATE
			7/29/8
			APPROVED
			TL

CAVITY NUMBER	COLOR CODE
1	WHT/BLK
2	WHT/BRN
3	WHT/RED
4	WHT/ORN
5	WHT/YEL
6	WHT/GRN
7	WHT/BLU
8	WHT/VIO
9	WHT/GRY

**WIRE TABLE** 4.



(RETAINING RING NOT SHOWN IN THIS VIEW)



SECTION E-E  
SCALE 2.5:1

ITEM NO.	PART NUMBER	NOMENCLATURE OR DESCRIPTION	MATERIAL SPECIFICATION	QTY. REQD.
<b>PARTS LIST</b>				
DIMENSIONS ARE IN INCHES TOLERANCES ARE: .XX ±.01 .XXX ±.005 ANGLES ±2		APPROVALS	DATE	
BREAK EDGES: .005 MAX		DRAWN: TONY LEE	7/29/8	
MATERIAL:		P.E.		
FINISH:		M.E.		
SURFACE AREA: (SQ. INCHES)		Q.A.		
THIS INFORMATION IS CONFIDENTIAL AND PROPERTY OF TYCO ELECTRONICS CORPORATION AND ITS WORLDWIDE SUBSIDIARIES AND AFFILIATES. IT MAY NOT BE DISCLOSED TO ANYONE, OTHER THAN THE AUTHORIZED PERSONNEL, WITHOUT THE AUTHORIZATION OF TYCO ELECTRONICS CORPORATION, HARRISBURG, PENNSYLVANIA, USA.				
tyco MICRODOT CONNECTORS DIVISION electronics 306 Pasadena Avenue South Pasadena, CA 91030		MCK-N1-RM-9S6Q8-24.0		
PROD CODE K460		CODE CDM		
SIZE A		CODE IDENT NO. DWG. NO. 4-1532239-4		
SCALE		=094-0116-2007		
SHEET 1 OF 1				

NOTES: UNLESS OTHERWISE SPECIFIED

- 1. MARK PER TPD.
- 2. EPOXY AS SHOWN WITH P/N: 983527-1 AND/OR 1325708-1.
- 3. CRIMP LEADS INTO CONTACTS PER MEP302-05.
- 4. SEE WIRE TABLE