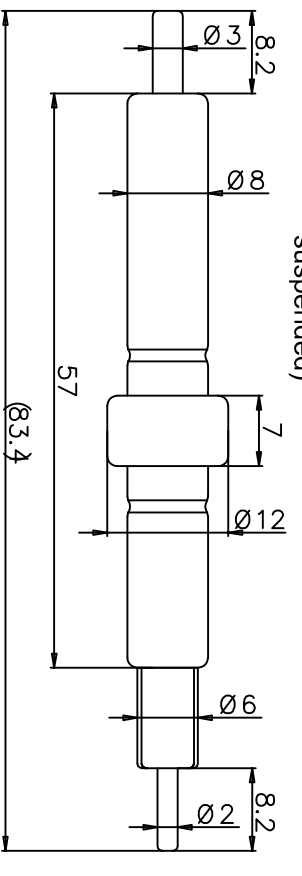
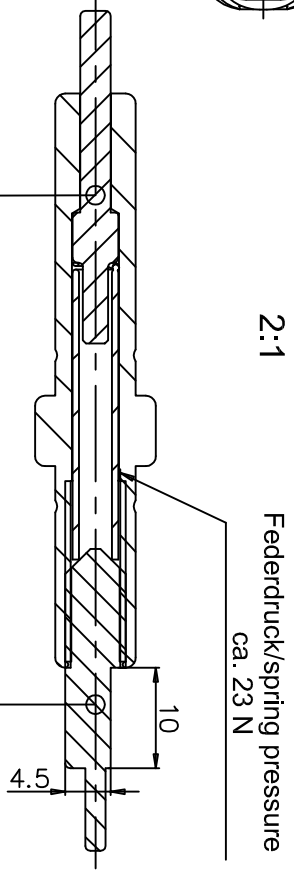
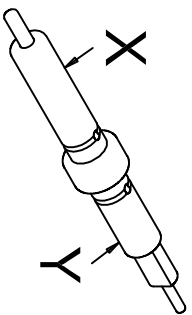
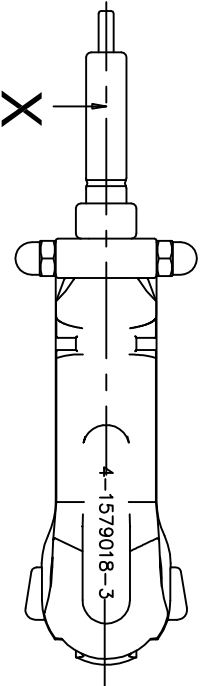
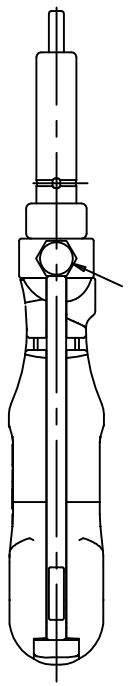
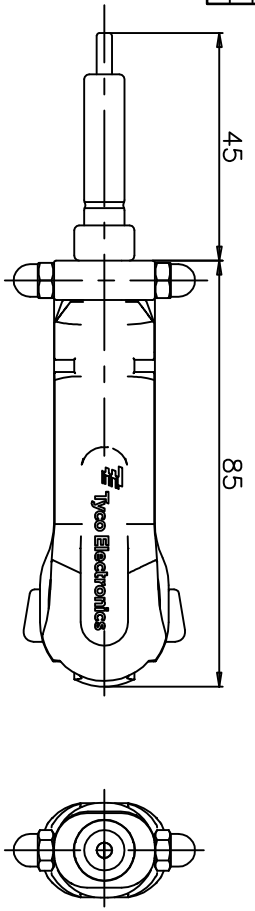


PASSMASS	ABMASS



APPLICATION RANGE / Anwendungsbereich :  
 FOR HOUSING PC9w and PC15w : 1801286-X, 1801386-X  
 FOR CONTACT MCP 2.8 : 968655, 968857

PREZISIONSSTUFE NACH DIN 7168 (WERTE IN MM)

BEZUGSKLASSE	ÜBER	0,5	3	6	30	180	1000
KLASSE 1) BIS	3	6	30	180	400	1000	

KLASSE 2) MITTEL

KLASSE 1) BIS	3	6	30	180	400	1000
---------------	---	---	----	-----	-----	------

KLASSE 3) UNTER

KLASSE 1) BIS	3	6	30	180	400	1000
---------------	---	---	----	-----	-----	------

GENERAL TOLERANCES ACC. TO DIN 7168 (VALUES IN MM)	
1) DENOTES FROM DIN 7168	2) DENOTES DE SHAFT MADE TO BS

FINISH	
DIMENSIONS	mm
TOLERANCES UNLESS SPECIFIED	h, k, m, n, p, r, s, v, w, y, z, zc, zc1, zc2, zc3, zc4, zc5, zc6, zc7, zc8, zc9, zc10, zc11, zc12, zc13, zc14, zc15, zc16, zc17, zc18, zc19, zc20, zc21, zc22, zc23, zc24, zc25, zc26, zc27, zc28, zc29, zc30, zc31, zc32, zc33, zc34, zc35, zc36, zc37, zc38, zc39, zc40, zc41, zc42, zc43, zc44, zc45, zc46, zc47, zc48, zc49, zc50, zc51, zc52, zc53, zc54, zc55, zc56, zc57, zc58, zc59, zc60, zc61, zc62, zc63, zc64, zc65, zc66, zc67, zc68, zc69, zc70, zc71, zc72, zc73, zc74, zc75, zc76, zc77, zc78, zc79, zc80, zc81, zc82, zc83, zc84, zc85, zc86, zc87, zc88, zc89, zc90, zc91, zc92, zc93, zc94, zc95, zc96, zc97, zc98, zc99, zc100

DIN	12.03.2009	MATERIAL	
NAME	S. Samst ag		
APVD	G. Stegmayr	12.03.2009	
SCALE	1:1		
STYL	A3		
DRAWING NO	C-4-1579018-3		
SHEET	1 OF 1		
REV	A		

AI	
DIST	
LDC	
APVD	
DATE	
REVISION RECORD	
DATE	
DIM	
APVD	
SURFACE TEXTURE	
SCALE	1:1
STYL	A3
DRAWING NO	C-4-1579018-3
SHEET	1 OF 1
REV	A

APVD	
DATE	
REVISION RECORD	
DATE	
DIM	
APVD	
SURFACE TEXTURE	
SCALE	1:1
STYL	A3
DRAWING NO	C-4-1579018-3
SHEET	1 OF 1
REV	A

DIN	12.03.2009	MATERIAL	
NAME	S. Samst ag		
APVD	G. Stegmayr	12.03.2009	
SCALE	1:1		
STYL	A3		
DRAWING NO	C-4-1579018-3		
SHEET	1 OF 1		
REV	A		

DIN	12.03.2009	MATERIAL	
NAME	S. Samst ag		
APVD	G. Stegmayr	12.03.2009	
SCALE	1:1		
STYL	A3		
DRAWING NO	C-4-1579018-3		
SHEET	1 OF 1		
REV	A		