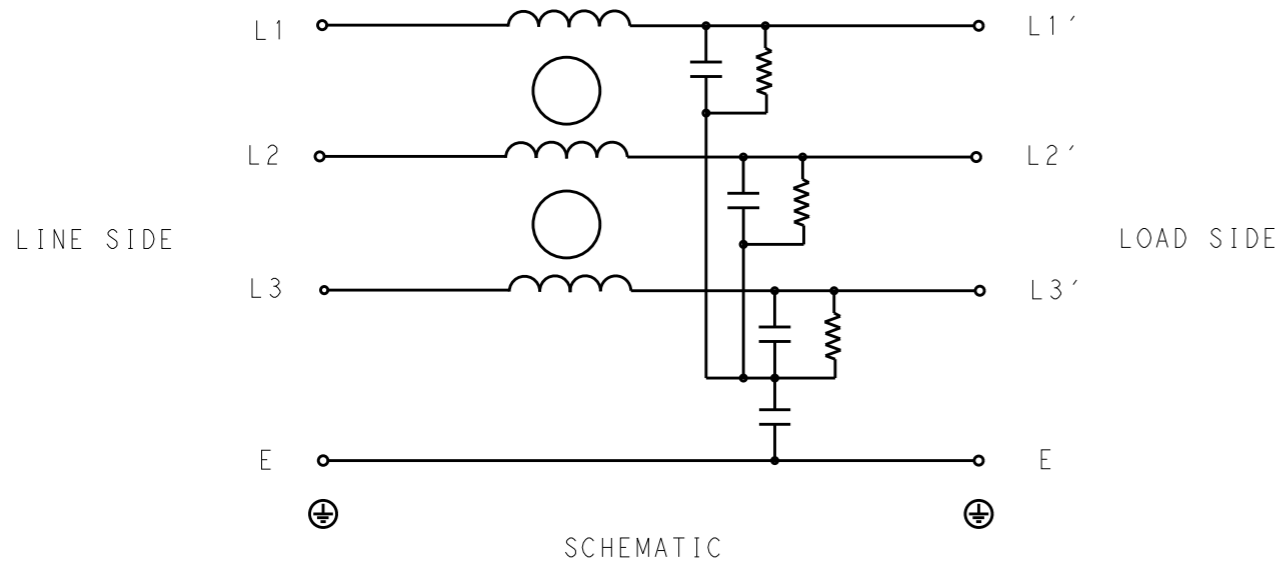
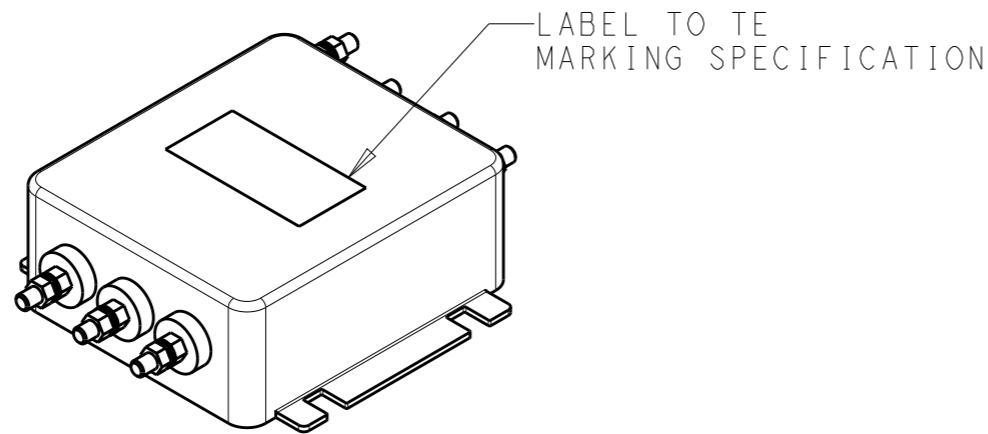


P	LTR	DESCRIPTION	DATE	DWN	APVD
	B	INITIAL RELEASE	07JUL2020	SR	LI



TYPICAL INSERTION LOSS
COMMON MODE 50/50Ω; DIFFERENTIAL MODE 50/50Ω

MHz	0.01	0.05	0.15	0.5	1	3	5	10	30
CM	4	5	8	20	30	38	48	30	22
DM	7	7	10	17	28	40	42	38	49



SAFETY ORGANIZATIONS

THIS FILTER WILL BE FORMALLY RECOGNIZED, CERTIFIED OR APPROVED BY THE LISTED AGENCY. THEREFORE, ALL TEST/REQUIREMENTS SPECIFIED IN THE LATEST REVISION OF THE FOLLOWING AGENCY STANDARDS WILL BE MET:

UL RECOGNIZED* 15A 520V 50Hz/60Hz 40°C
 CSA CERTIFIED** 15A 520V 50Hz/60Hz 40°C
 *31 JULY 2020 ; **31 AUGUST 2020

OPERATING SPECIFICATION

LINE CURRENT/VOLTAGE: 15A, 520VAC
 LINE FREQUENCY: 50/60Hz

MAXIMUM LEAKAGE CURRENT: 3mA @ 230VAC, 50Hz

OPERATING AMBIENT TEMPERATURE RANGE @ RATED CURRENT: -25°C TO +40°C

IN AN AMBIENT, T_a, HIGHER THAN 40°C, THE MAXIMUM OPERATING CURRENT, I_o, IS AS FOLLOWS:

$$I_o = I_r \sqrt{\frac{85 - T_a}{45}}$$

RELIABILITY SPECIFICATIONS

STORAGE TEMPERATURE: -40°C TO +85°C
 HUMIDITY: 21 DAYS @ 40°C AND 95% RH

TEST SPECIFICATIONS

INDUCTANCE, NOMINAL: 0.4mH

CAPACITANCE @ 1kHz
 LINE TO GROUND, NOMINAL: 18nF
 LINE TO LINE, NOMINAL: 50nF

DISCHARGE RESISTOR

L/G I.R. 680KΩ 1W
 L/L I.R. 2MΩ 1W
 L/N I.R. XXX
 N/G I.R. XXX
 IR (NO DISCHARGE RESISTOR) 20°C, 50% RH AND 100VDC, MIN: 6MΩ

RECOMMENDED RECEIVING INSPECITON HIPOI

LINE TO GROUND FOR 1 MINUTE: 2856VDC
 LINE TO LINE FOR 1 MINUTE: 2236VDC

FILTER APPROVAL

THE BEST WAY TO SELECT AND QUALIFY A FILTER IS FOR YOUR ENGINEERING TO TEST THE UNIT IN YOUR EQUIPMENT.

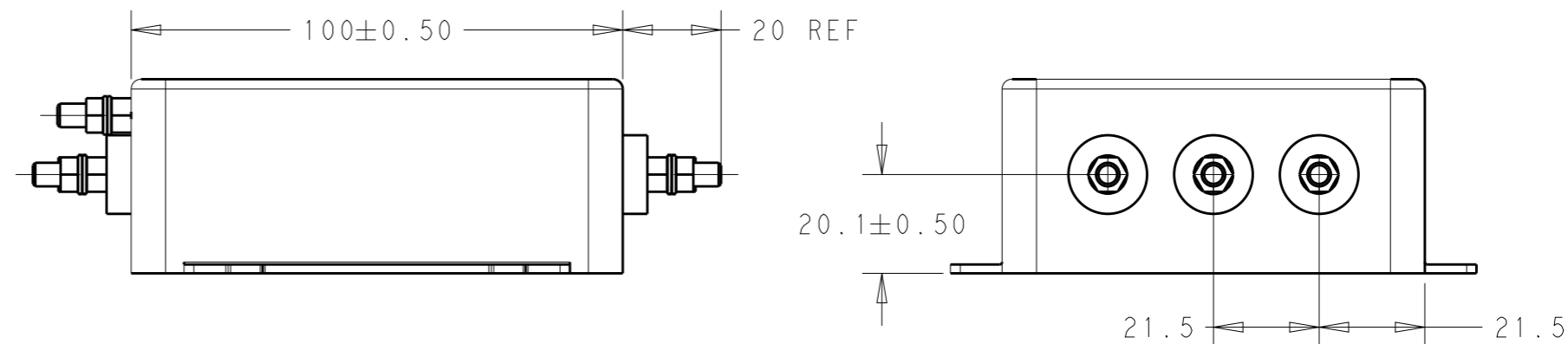
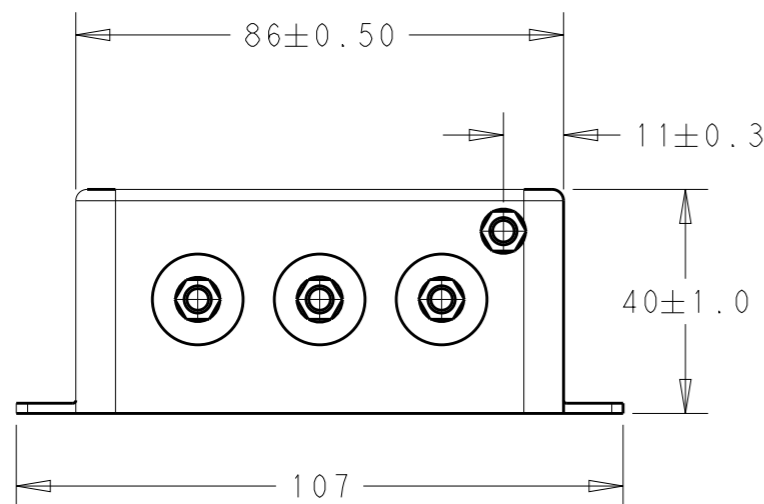
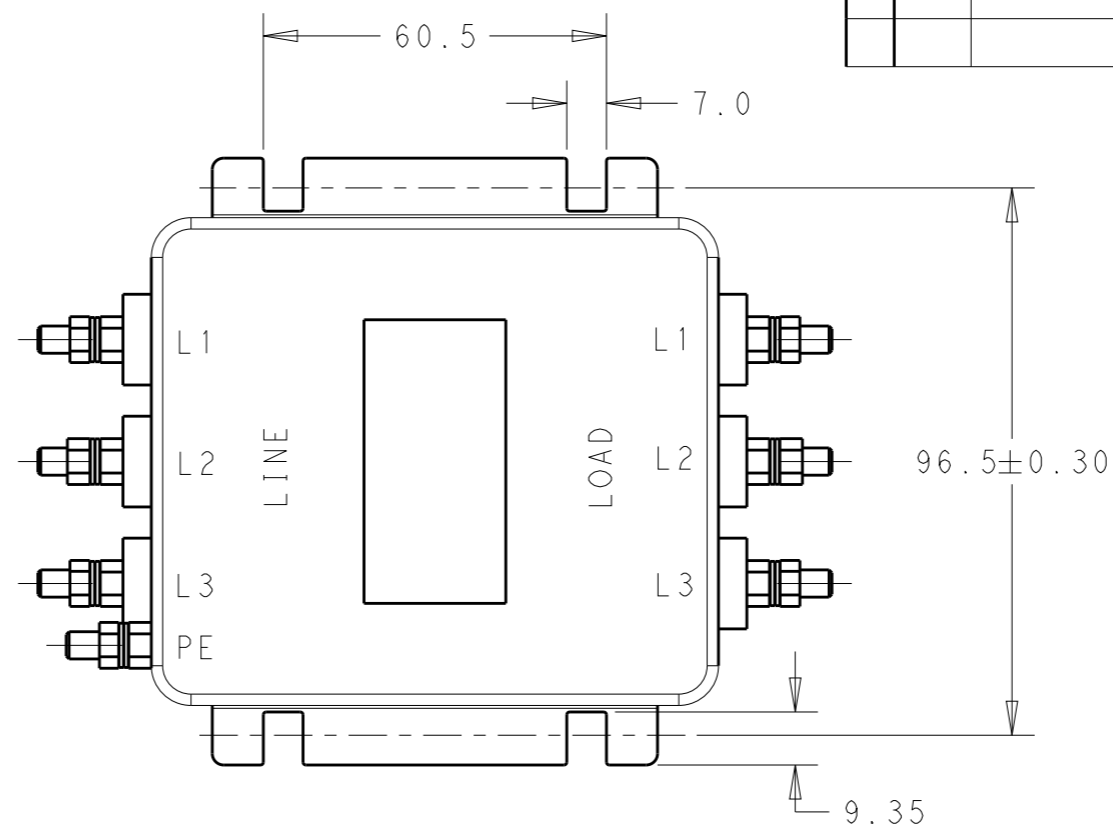
THIS DRAWING IS A CONTROLLED DOCUMENT.		DWN 06FEB2020 SUPREETH R	TE Connectivity	
DIMENSIONS: mm		CHK 06FEB2020 LEO IRUDHAYARAJ		
TOLERANCES UNLESS OTHERWISE SPECIFIED:		APVD 06FEB2020 LEO IRUDHAYARAJ	NAME POWER LINE FILTER 15KEBS6BFPD	
0 PLC ±- 1 PLC ±0.5 2 PLC ±0.40 3 PLC ±0.130 4 PLC ±0.0500 ANGLES ±-		PRODUCT SPEC -	RESTRICTED TO -	
MATERIAL -		APPLICATION SPEC -	SIZE A3	CAGE CODE 00779
FINISH -		WEIGHT -	DRAWING NO C-4-1609965-4	
		CUSTOMER DRAWING	SCALE 1:2	SHEET 1 OF 2
				REV B

© 2020 TE Connectivity. All Rights Reserved.

NOTE 1 GROUND CONNECTION:
DO NOT LOOSEN INNER GROUND NUTS.
TORQUE OUTER TERMINAL /GROUND NUTS: 2 Nm

NOTE 2 INPUT OUTPUT CONNECTION TERMINAL
AWG SIZE: XXX
THREADED BOLT SIZE FOR TERMINAL: M5
THREADED BOLT SIZE FOR GROUND: M5

REVISIONS					
P	LTR	DESCRIPTION	DATE	DWN	APVD
		SEE SHEET 1			



THIS DRAWING IS A CONTROLLED DOCUMENT.		DWN SUPREETH R 06FEB2020		
		CHK LEO IRUDHAYARAJ 06FEB2020		
		APVD LEO IRUDHAYARAJ 06FEB2020	NAME POWER LINE FILTER 15KEBS6BFPD	
DIMENSIONS: mm		PRODUCT SPEC -	SIZE A300779 CAGE CODE G-4-1609965-4	
TOLERANCES UNLESS OTHERWISE SPECIFIED:		APPLICATION SPEC -	DRAWING NO C-4-1609965-4	
<ul style="list-style-type: none"> 0 PLC ±- 1 PLC ±0.5 2 PLC ±0.40 3 PLC ±0.130 4 PLC ±0.0500 ANGLES ±- 		WEIGHT -	RESTRICTED TO -	
MATERIAL -		FINISH -	SCALE 3:4 SHEET 2 OF 2 REV B	
		CUSTOMER DRAWING		