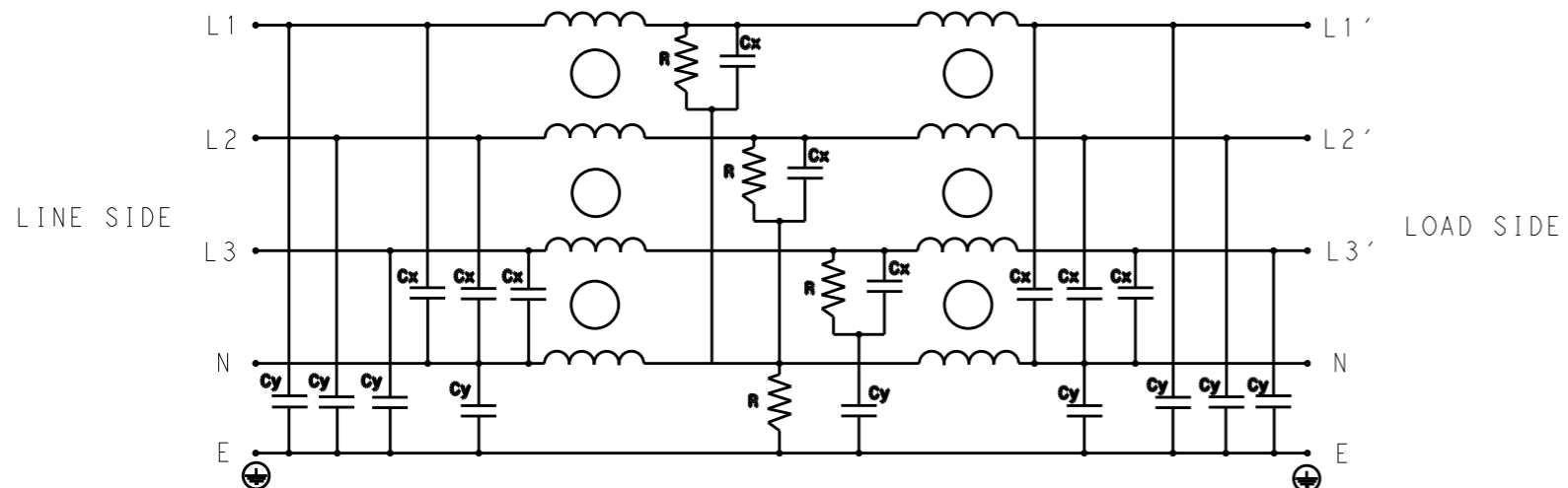


P	LTR	DESCRIPTION	DATE	DWN	APVD
	B	INITIAL RELEASE	08JUL2020	SB	LI



SCHEMATIC

**SAFETY ORGANIZATIONS**  
 THIS FILTER WILL BE FORMALLY RECOGNIZED, CERTIFIED OR APPROVED BY THE LISTED AGENCY. THEREFORE, ALL TEST/REQUIREMENTS SPECIFIED IN THE LATEST REVISION OF THE FOLLOWING AGENCY STANDARDS WILL BE MET:

UL RECOGNIZED\* 250A 520V 50Hz/60Hz 50°C  
 CSA CERTIFIED\*\* 250A 520V 50Hz/60Hz 50°C  
 \*31 JULY 2020 ; \*\*31 AUGUST 2020

**OPERATING SPECIFICATION**  
 LINE CURRENT/VOLTAGE: 250A, 520VAC  
 LINE FREQUENCY: 50/60Hz

MAXIMUM LEAKAGE CURRENT: 15mA @ 230VAC, 50Hz  
 OPERATING AMBIENT TEMPERATURE RANGE @ RATED CURRENT: -10°C TO +50°C  
 IN AN AMBIENT, T<sub>a</sub>, HIGHER THAN 50°C, THE MAXIMUM OPERATING CURRENT, I<sub>o</sub>, IS AS FOLLOWS:

$$I_o = I_r \sqrt{\frac{105 - T_a}{55}}$$

**RELIABILITY SPECIFICATIONS**  
 STORAGE TEMPERATURE: -40°C TO +85°C  
 HUMIDITY: 21 DAYS @ 40°C AND 95% RH

**TEST SPECIFICATIONS**  
 INDUCTANCE, NOMINAL: 0.16mH

CAPACITANCE @ 1kHz  
 LINE TO GROUND, NOMINAL: 2.98µF  
 NEUTRAL TO GROUND, NOMINAL: 3.3µF  
 LINE TO NEUTRAL, NOMINAL: 20.4µF

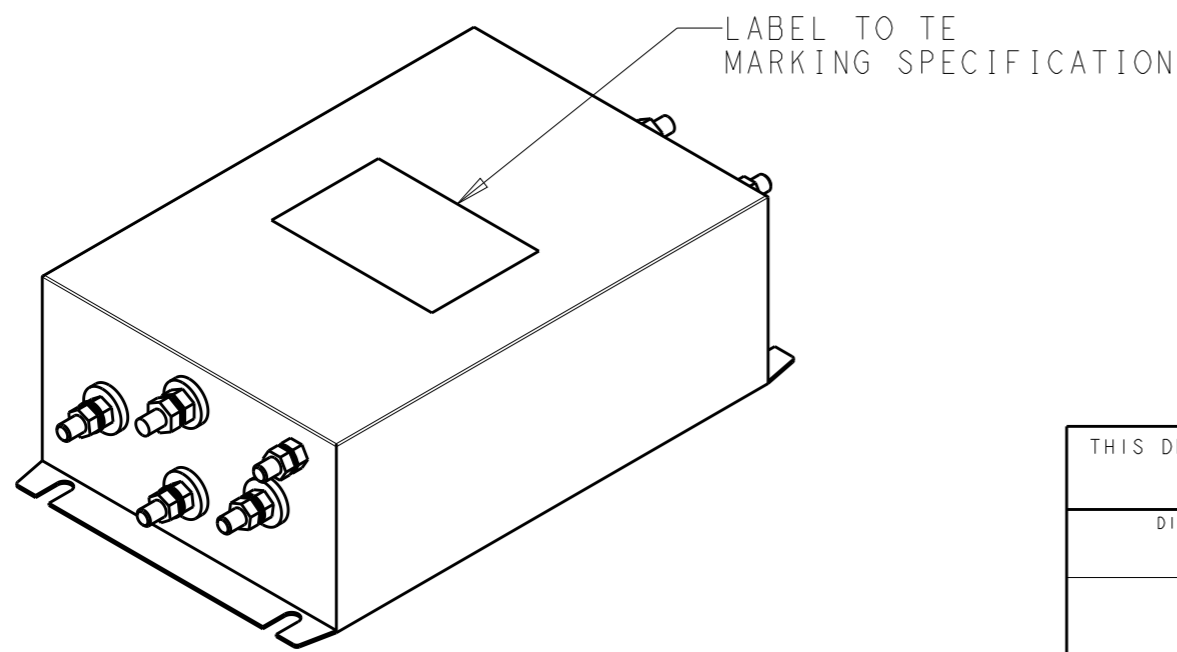
DISCHARGE RESISTOR  
 L/L I.R. 2MΩ 2W  
 L/N I.R. 1MΩ 2W  
 L/G I.R. 2MΩ 2W  
 N/G I.R. 1MΩ 2W  
 IR (NO DISCHARGE RESISTOR) 20°C, 50% RH AND 100VDC, MIN: 6MΩ

**RECOMMENDED RECEIVING INSPECTION HIPOT**  
 LINE TO GROUND FOR 1 MINUTE: 2856VDC  
 LINE TO LINE FOR 1 MINUTE: 2236VDC  
 LINE TO NEUTRAL FOR 1 MINUTE: 1290VDC

**FILTER APPROVAL**  
 THE BEST WAY TO SELECT AND QUALIFY A FILTER IS FOR YOUR ENGINEERING TO TEST THE UNIT IN YOUR EQUIPMENT.

TYPICAL INSERTION LOSS  
 COMMON MODE 50/50Ω; DIFFERENTIAL MODE 50/50Ω

MHz	0.01	0.05	0.15	0.5	1	3	5	10	30
CM	32	34	43	55	50	41	37	32	30
DM	44	45	47	45	39	30	27	21	18



THIS DRAWING IS A CONTROLLED DOCUMENT.		DWN 24FEB2020 SHRICARANA B		TE Connectivity	
DIMENSIONS: mm		CHK 24FEB2020 LEO IRUDHAYARAJ			
TOLERANCES UNLESS OTHERWISE SPECIFIED:		APVD 24FEB2020 LEO IRUDHAYARAJ		NAME POWER LINE FILTER 250KEVD10BFPW	
0 PLC ±-		PRODUCT SPEC		SIZE	
1 PLC ±0.5		APPLICATION SPEC		CAGE CODE	
2 PLC ±0.40		WEIGHT		DRAWING NO	
3 PLC ±0.130		CUSTOMER DRAWING		RESTRICTED TO	
4 PLC ±0.0500		SCALE 1:4		SHEET 1 OF 2	
ANGLES ±-		REV B			
MATERIAL		FINISH			

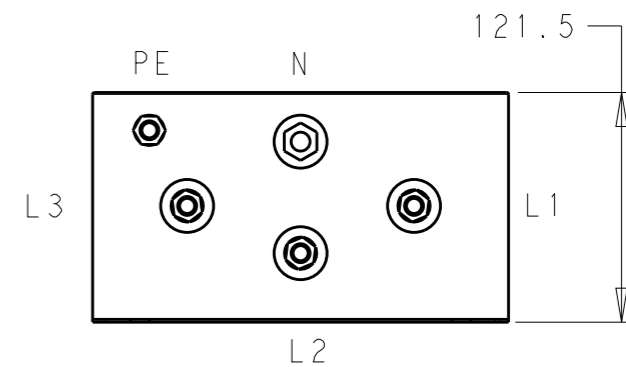
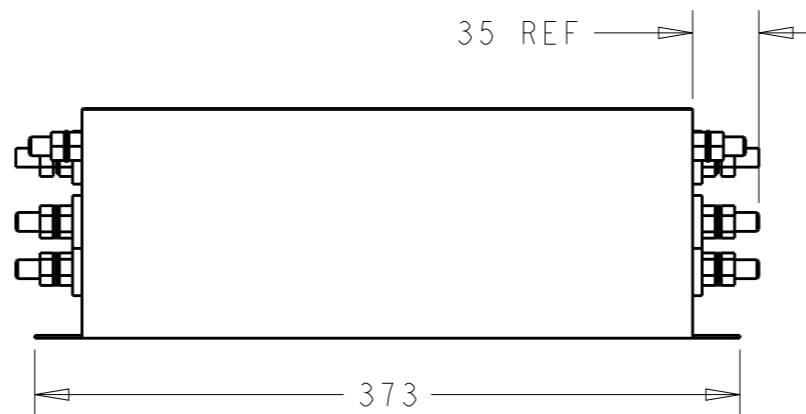
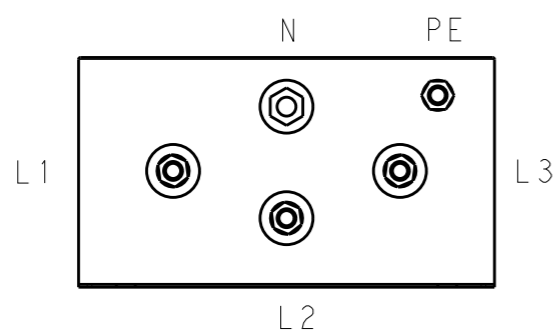
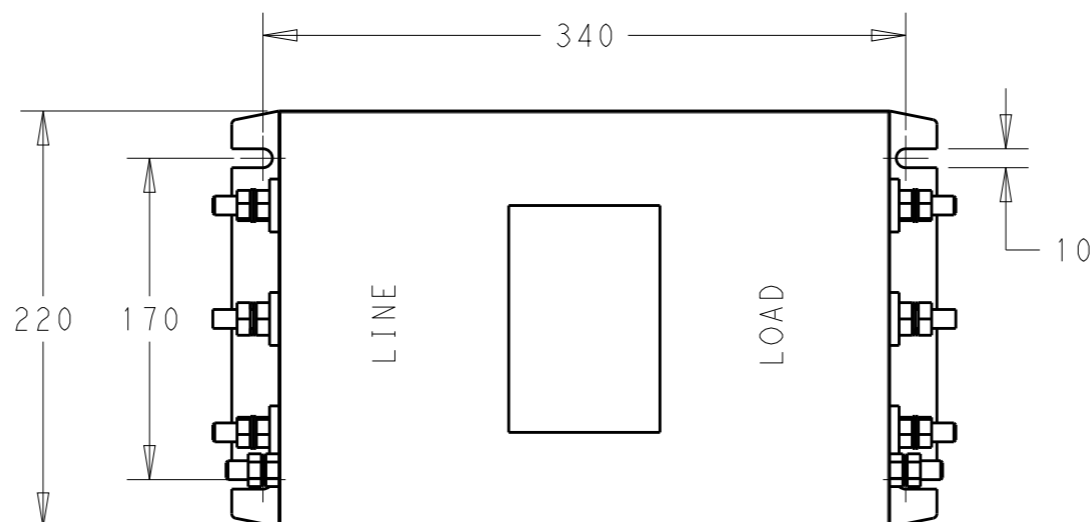
© 2020 TE Connectivity. All Rights Reserved.

REVISIONS

NOTE 1 GROUND CONNECTION:  
DO NOT LOOSEN INNER GROUND NUTS.  
TORQUE OUTER TERMINAL /GROUND NUTS: 4-10Nm

NOTE 2 INPUT OUTPUT CONNECTION TERMINAL  
AWG SIZE: XXX  
THREADED BOLT SIZE FOR TERMINAL: M10  
THREADED BOLT SIZE FOR GROUND: M10

P	LTR	DESCRIPTION	DATE	DWN	APVD
		SEE SHEET 1			



THIS DRAWING IS A CONTROLLED DOCUMENT.

DWN 24FEB2020  
SHRICHARANA B  
CHK 24FEB2020  
LEO IRUDHAYARAJ  
APVD 24FEB2020  
LEO IRUDHAYARAJ



DIMENSIONS:	TOLERANCES UNLESS OTHERWISE SPECIFIED:
mm	
	0 PLC ±-
	1 PLC ±0.5
	2 PLC ±0.40
	3 PLC ±0.130
	4 PLC ±0.0500
	ANGLES ±-

PRODUCT SPEC -  
APPLICATION SPEC -  
WEIGHT -

NAME  
POWER LINE FILTER  
250KEVD10BFPW

MATERIAL -  
FINISH -

CUSTOMER DRAWING

SIZE	CAGE CODE	DRAWING NO	RESTRICTED TO
A3	00779	C-4-1609998-9	-

SCALE 1:4 SHEET 2 OF 2 REV B