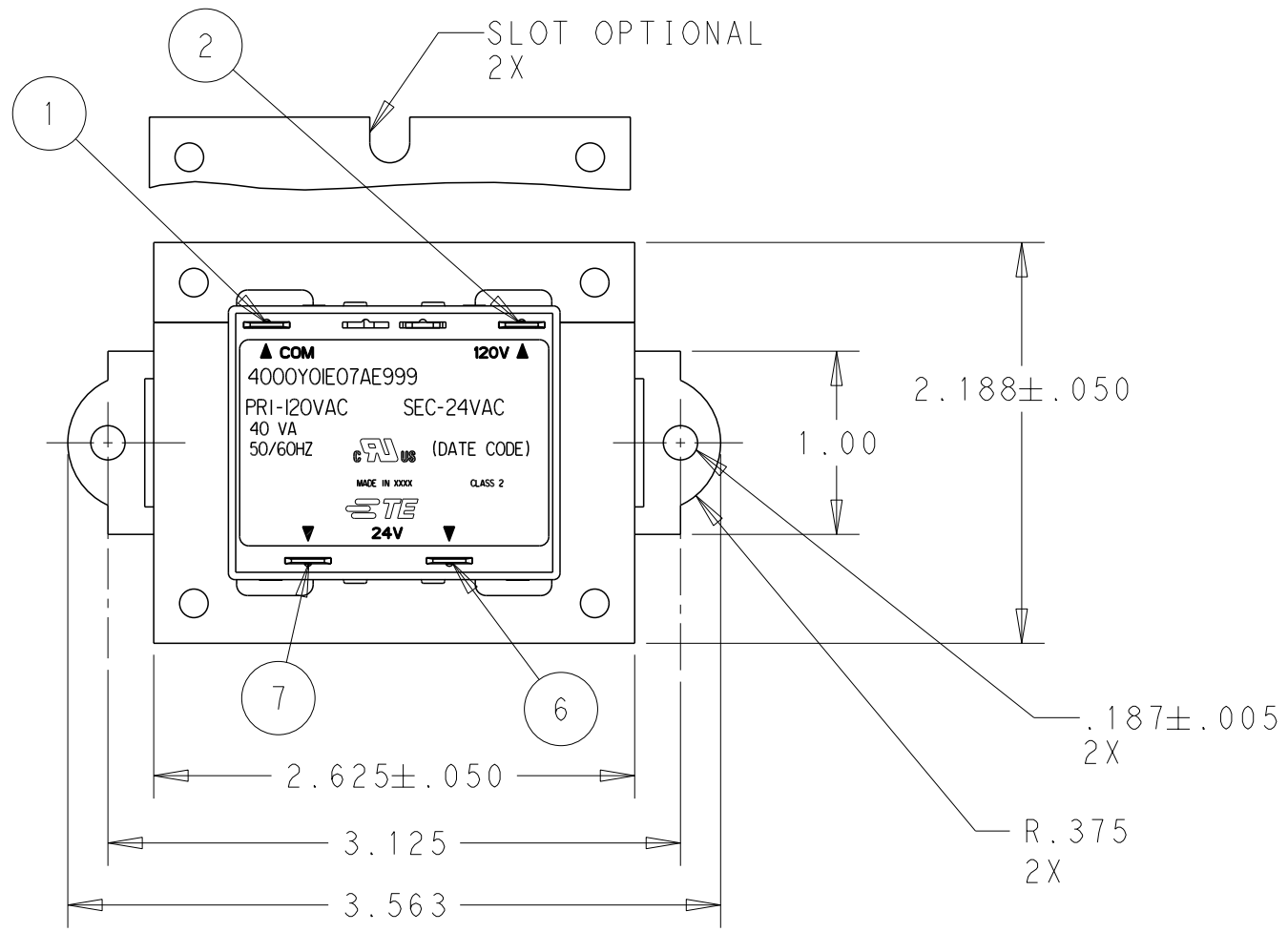


THIS DRAWING IS UNPUBLISHED. RELEASED FOR PUBLICATION 20
COPYRIGHT 20 BY - ALL RIGHTS RESERVED.

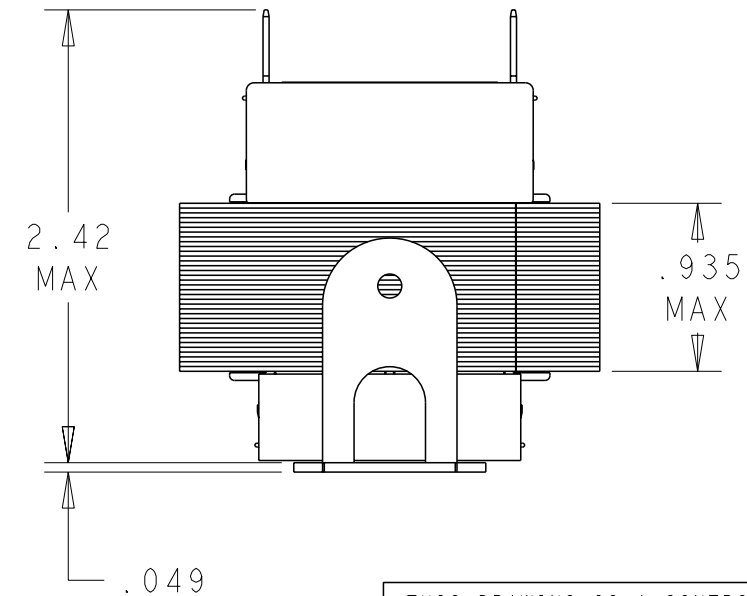
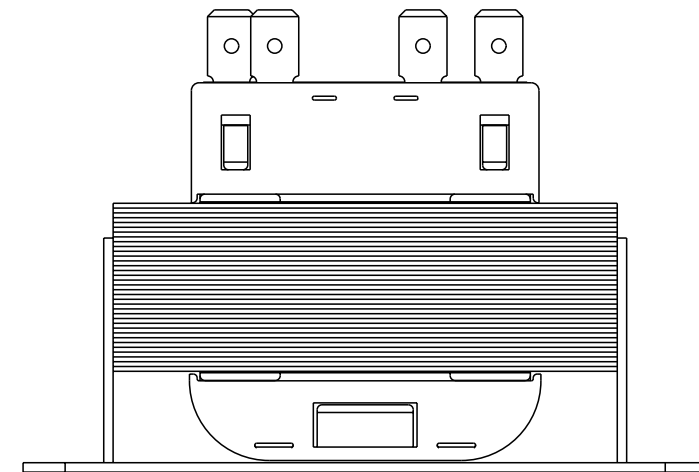
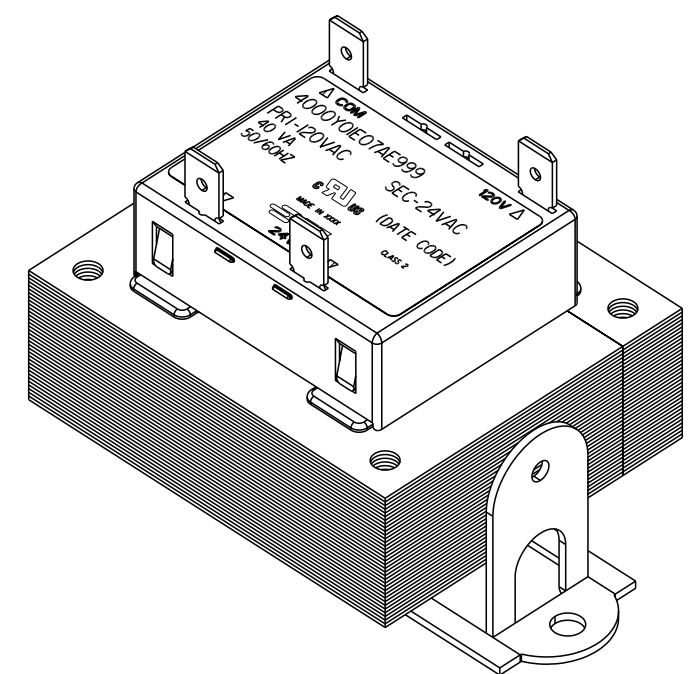
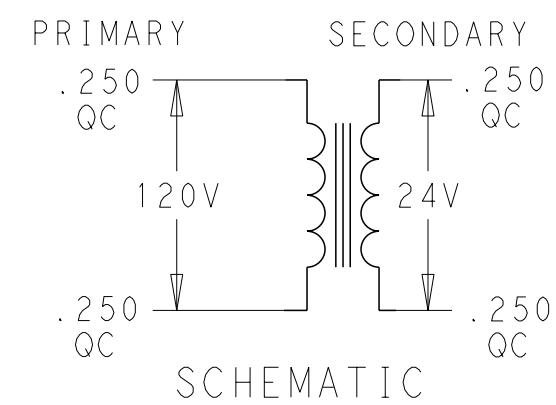
LOC	DIST	REVISIONS					
GZ	00	P	LTR	DESCRIPTION	DATE	DWN	APVD
		B		ECR-16-001088	27JAN2016	VS	DB



CERTIFICATION: UL & CUL FILE NO. E87824

PRIMARY			SECONDARY		
TERMINAL NO.	1	2	TERMINAL NO.	6	7
VOLTAGE	COM	120	VOLTAGE	24	VAC
TERM. WIDTH	.250	.250	TERM. WIDTH	.250	.250
TERM. THICKNESS	.032	.032	TERM. THICKNESS	.032	.032

1. WINDING PROTECTION: INHERENTLY LIMITING.



3-1611471-3
TE PART NO.

THIS DRAWING IS A CONTROLLED DOCUMENT.		DWN	VIC SLACK		10JUL2014	 TE Connectivity	NAME	TRANSFORMER OUTLINE			
DIMENSIONS: INCHES	TOLERANCES UNLESS OTHERWISE SPECIFIED:	CHK	D. BLOESCH		10JUL2014			-	-	-	-
		APVD	D. BLOESCH		10JUL2014						
		PRODUCT SPEC	-					APPLICATION SPEC	-		
MATERIAL	FINISH	WEIGHT	-		Customer Drawing	SIZE	CAGE CODE	DRAWING NO	RESTRICTED TO		
						A3	00779	C-4000Y01E07AE999	-		
						SCALE	1:1	SHEET	1 OF 1	REV	B