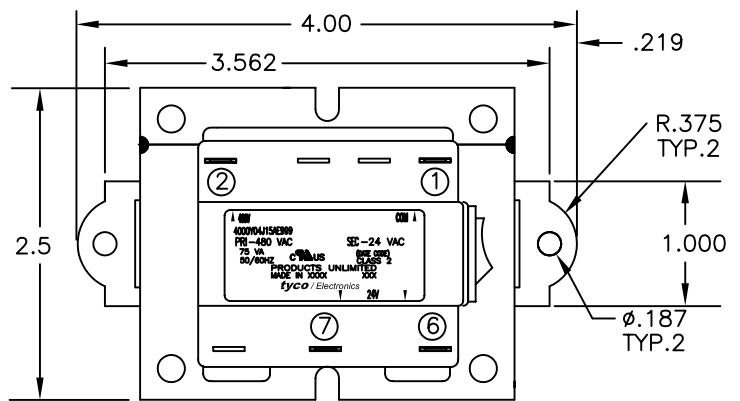


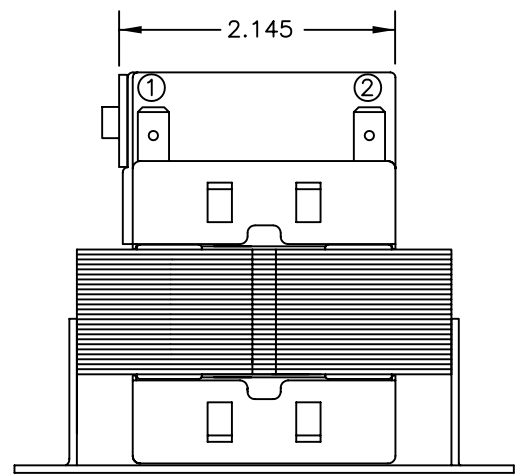
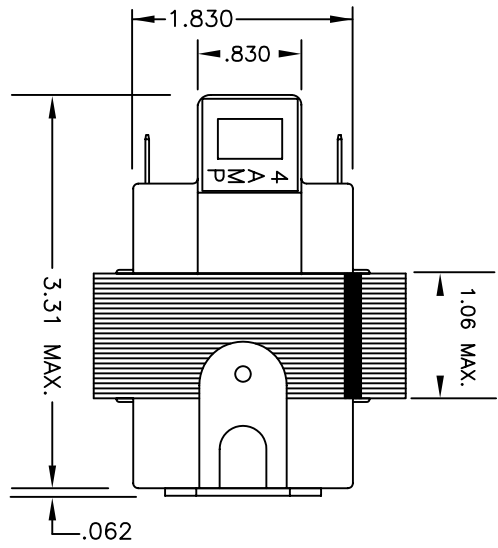
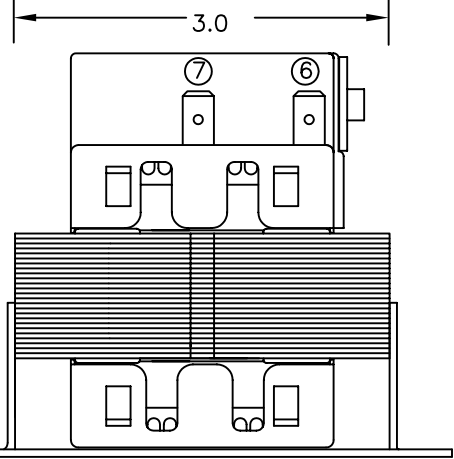
THIS DRAWING IS UNPUBLISHED. RELEASED FOR PUBLICATION
 © COPYRIGHT - BY TYCO ELECTRONICS CORPORATION. ALL RIGHTS RESERVED.

LOC	DIST	REVISIONS					
GZ	00	P	LTR	DESCRIPTION	DATE	DWN	APVD
		A		ECR-06-022111	14SEP06	KH	HT

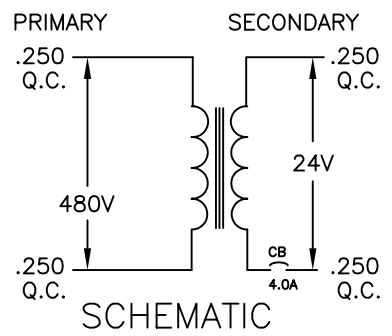


PRIMARY					NOTES 1. DIMENSIONS FOR REFERENCE ONLY. 2. WINDING PROTECTION—4.0 AMP CIRCUIT BREAKER IN SECONDARY NON-NHERENTLY LIMITED	CERTIFICATION:UL/CUL FILE NO E87824					
TERM NO.	1	2	3	4		5	SECONDARY				
VOLTAGE	COM	480					TERM NO.	6	7	8	9
TERMINAL WIDTH	.250	.250					VOLTAGE	24	VAC		
TERMINAL THICKNESS	.032	.032				TERMINAL WIDTH	.250	.250			
						TERMINAL THICKNESS	.032	.032			

C



B



TYCO PART NUMBER
4-1611471-4

THIS DRAWING IS A CONTROLLED DOCUMENT.		DWN	30MAR04	Tyco Electronics Corporation Harrisburg, PA 17105-3608
DIMENSIONS: INCHES		CHK	30MAR04	
TOLERANCES UNLESS OTHERWISE SPECIFIED:		APVD	30MAR04	
0 PLC ± - 1 PLC ± - 2 PLC ± .01 3 PLC ± .005 4 PLC ± - ANGLES ± -		HT		
MATERIAL	FINISH	PRODUCT SPEC		NAME
		APPLICATION SPEC		TRANSFORMER OUTLINE P.U. STOCK
		WEIGHT		SIZE
		CUSTOMER DRAWING	A3	CAGE CODE
		SCALE	1:1	DRAWING NO
		SHEET	1 OF 1	RESTRICTED TO
		REV	A	

A