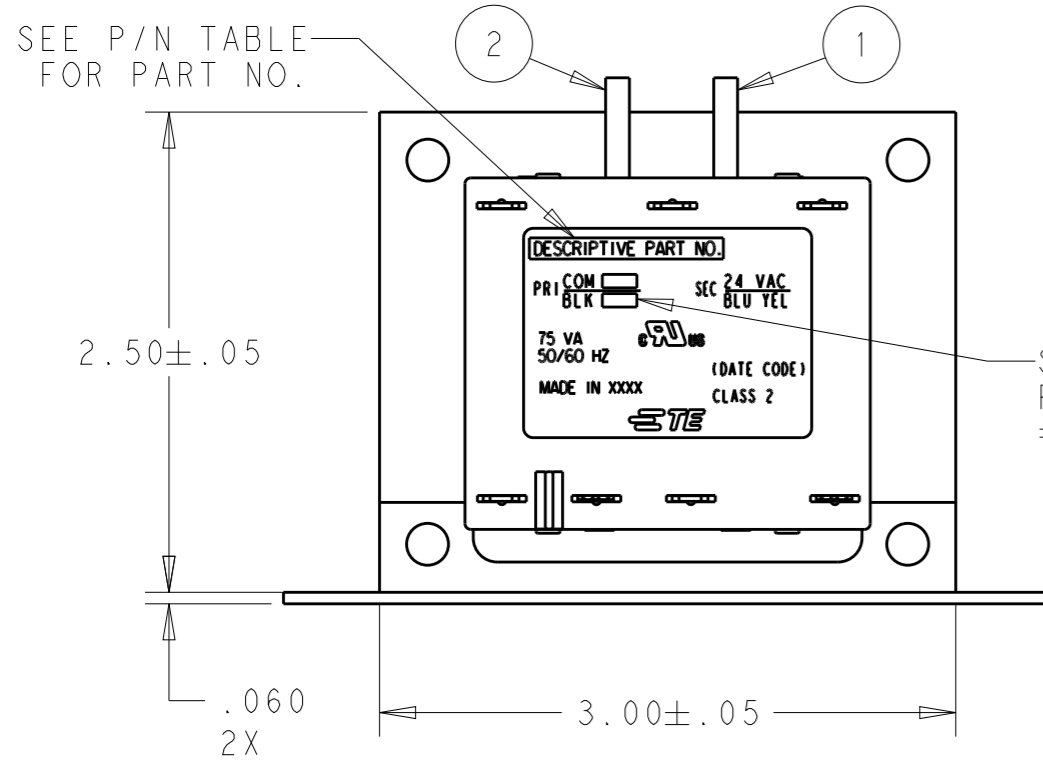
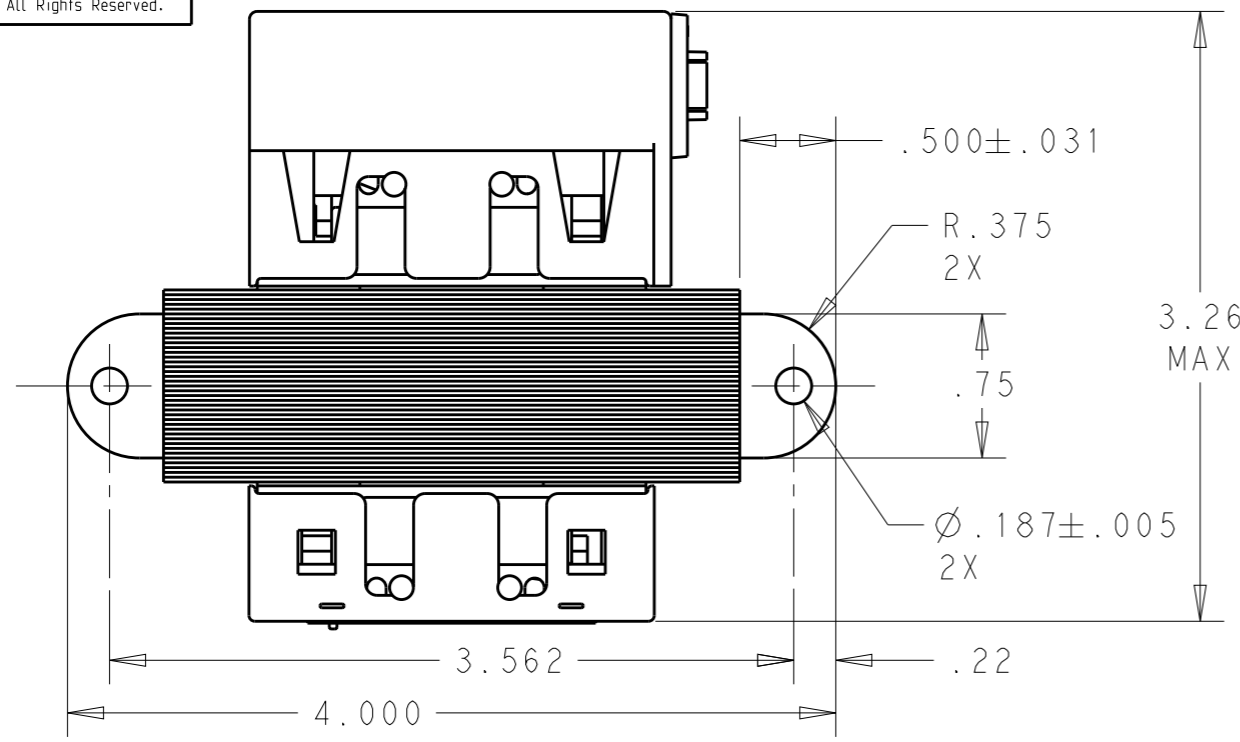


P	LTR	DESCRIPTION	DATE	DWN	APVD
C		ECR-20-006524	07MAY2020	VS	DB

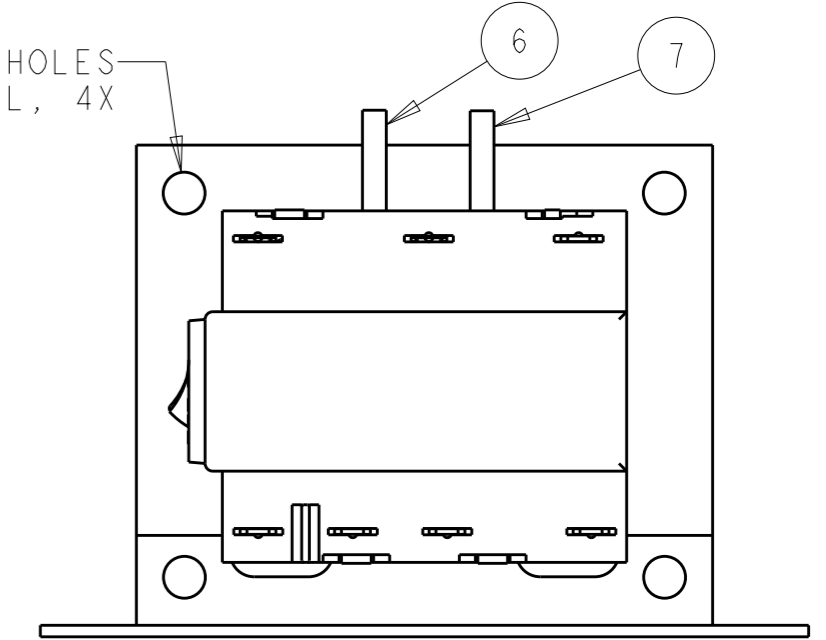
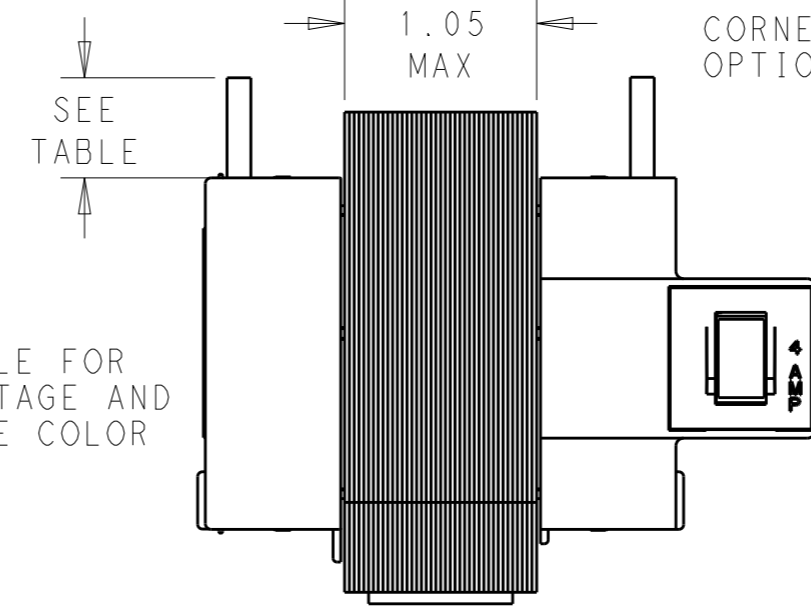
CERTIFICATION: UL/CUL FILE NO. E87824

PRIMARY			SECONDARY		
LEAD NO.	1	2	LEAD NO.	6	7
VOLTAGE	COM	SEE P/N TABLE	VOLTAGE	24	VAC
LEAD COLOR	BLK		LEAD COLOR	BLU	YEL
LEAD LENGTH	12.0	12.0	LEAD LENGTH	12.0	12.0
STRIP LENGTH	.50	.50	STRIP LENGTH	.50	.50

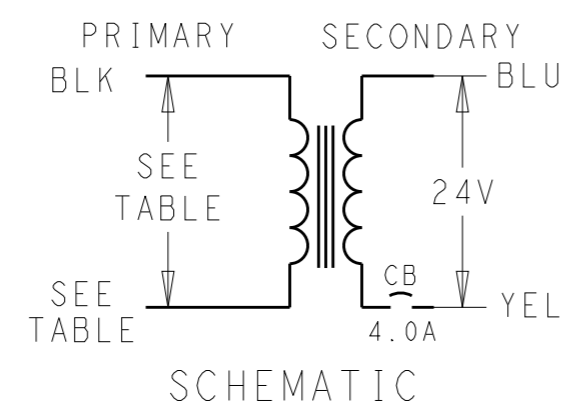
- ALL LEADS ARE 18AWG UNLESS OTHERWISE SPECIFIED AND HAVE A TOLERANCE OF +1.0/-0. AND STRIP TOLERANCE OF ±1/32.
- WINDING PROTECTION: INTERNALLY PROTECTED-4.0 AMP CIRCUIT BREAKER.



SEE P/N TABLE FOR PRIMARY VOLTAGE AND #2 LEAD WIRE COLOR



PRIMARY VOLTAGE	LEAD #2 COLOR	PACKAGED	DESCRIPTIVE PART NO.	TE PART NO.	PART REV
120	WHT	BULK	4000-01J15K999	2-1611468-1	C
		INDIVIDUAL	4000Y01J15K999	4-1611469-1	C
277	BRN	BULK	4000-03J15K999	3-1611468-4	C
		INDIVIDUAL	4000Y03J15K999	4-1611469-6	C
575	GRAY	BULK	4000-78J15K999	2-1611469-5	C



THIS DRAWING IS A CONTROLLED DOCUMENT.

DWN	VIC SLACK	07MAY2020
CHK	D. BLOESCH	07MAY2020
APVD	D. BLOESCH	07MAY2020

DIMENSIONS: INCHES	TOLERANCES UNLESS OTHERWISE SPECIFIED:
	0 PLC ±-
	1 PLC ±.1
	2 PLC ±.03
	3 PLC ±.015
	4 PLC ±-
	ANGLES ±-

MATERIAL	FINISH	WEIGHT
-	-	-

STE TE Connectivity

NAME: TRANSFORMER OUTLINE

SIZE	CAGE CODE	DRAWING NO	RESTRICTED TO
A3	-	©=4000___J15K999	

CUSTOMER DRAWING SCALE 1:1 SHEET 1 OF 1 REV C