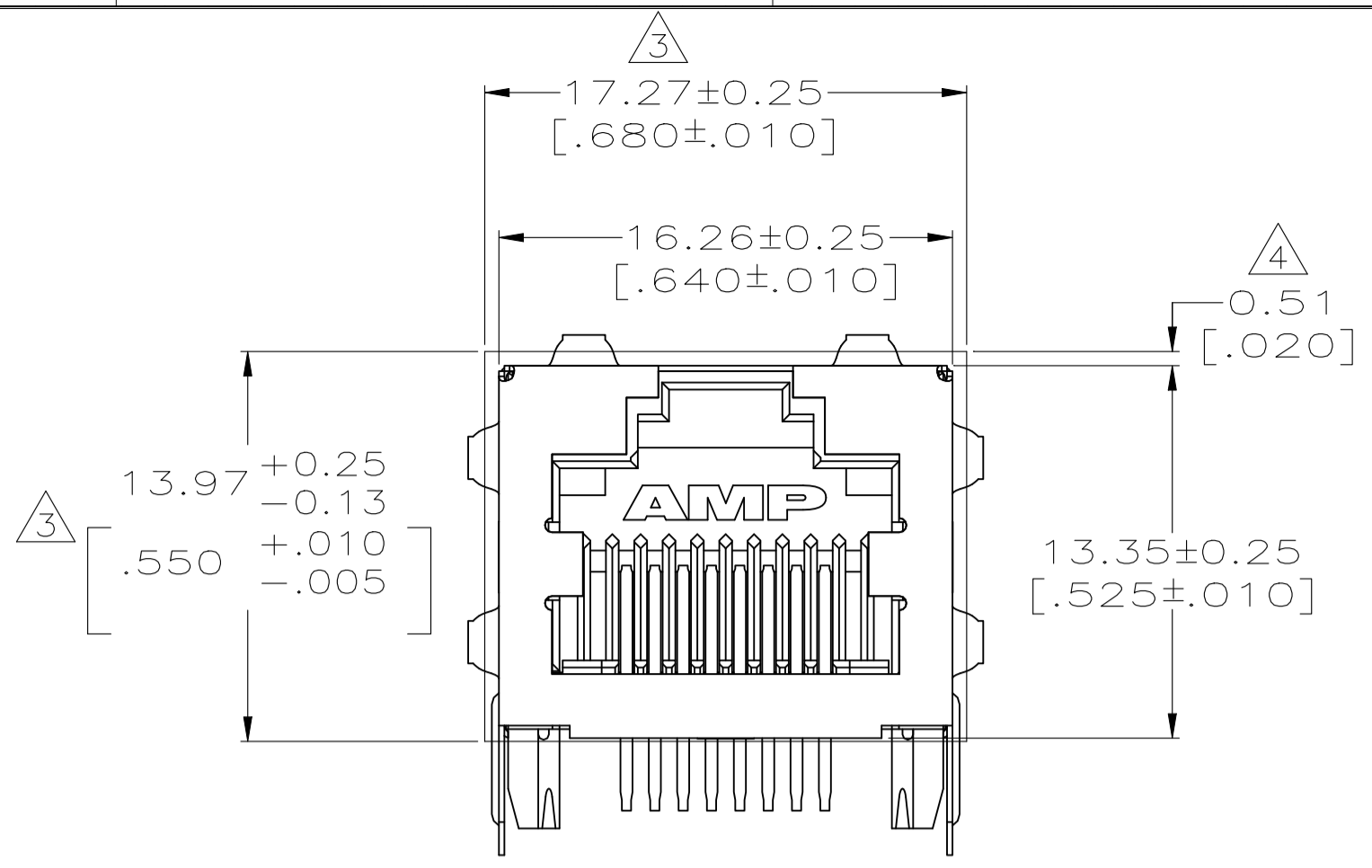
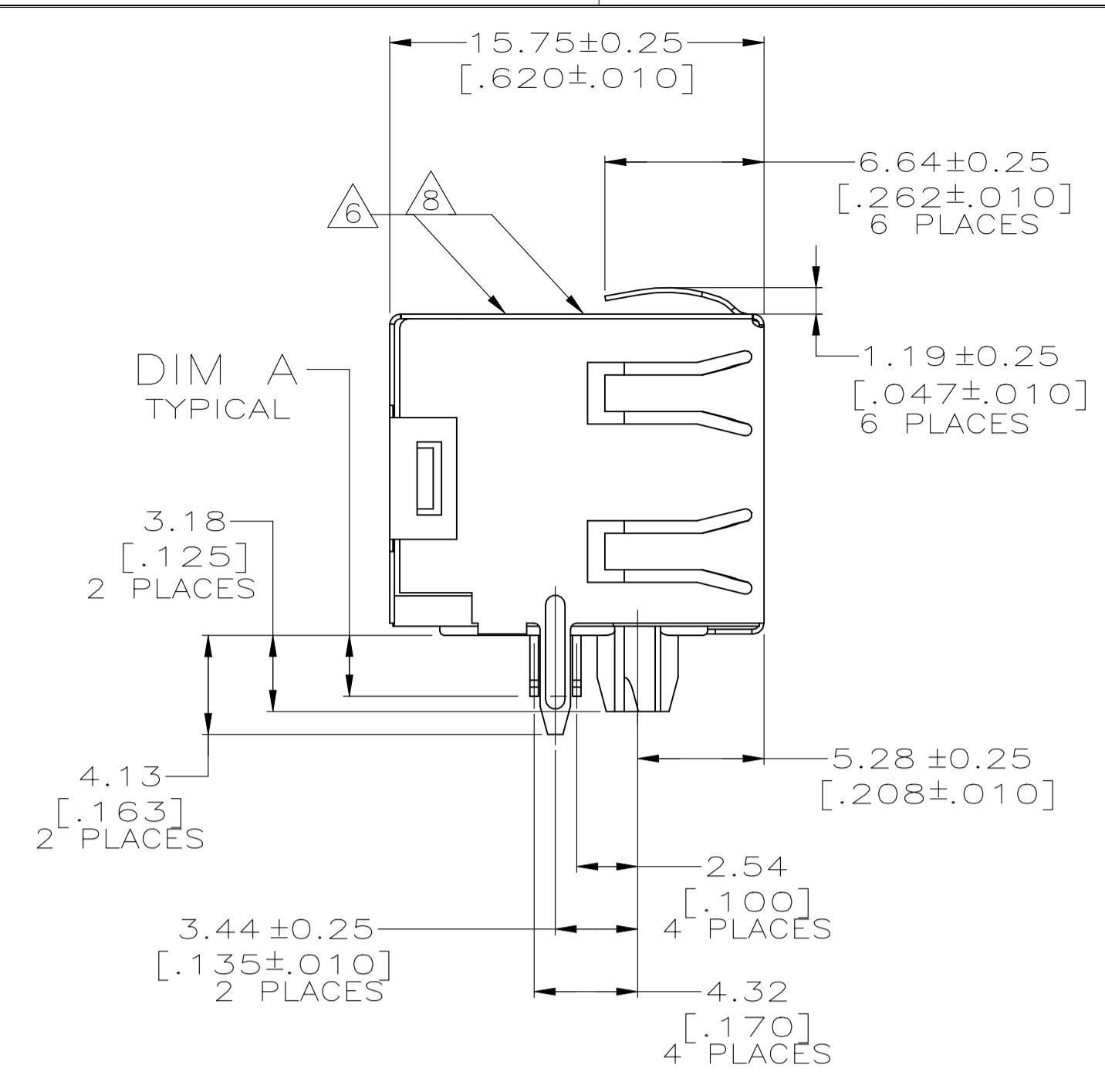


REVISIONS					
REV	DESCRIPTION	DATE	BY	APP'D	
V1	ADDED NEW PN 406541-8 AND PACKAGING	19JULY2023	JK	WH	

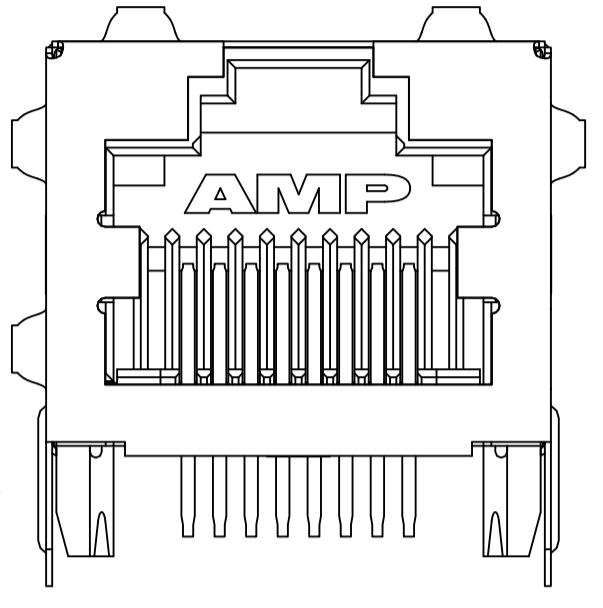


- △ OBSOLETE PARTS: OBSOLETE CIS STREMLING PER D.RENAUD/D.SINISI
- △ ADD PN ON TOP SURFACE FOR REQUIRED PARTS
- △ REFLOW SOLDERING PROCESS COMPATIBLE

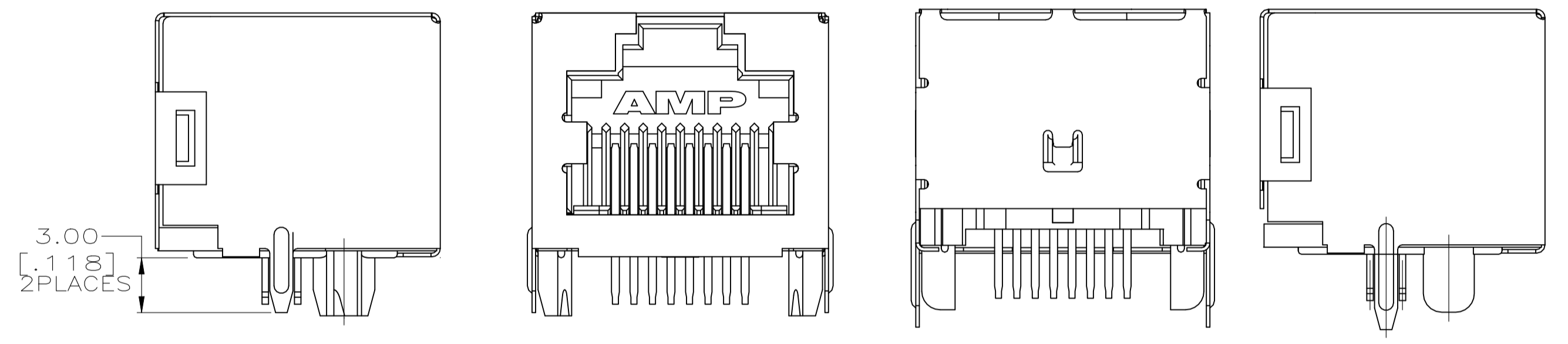
MATERIAL:  
 HOUSING - HIGH TEMPERATURE THERMOPLASTIC, COLOR: BLACK, UL94V-0  
 TERMINALS - 0.36[.014] THICK PHOS BRONZE PLATED WITH 3.81µm[.000150] MINIMUM THICK (SEE P/N TABLE) IN SOLDER AREA. 1.27µm[.000050] MINIMUM GOLD IN LOCALIZED PLATE AREA. ENTIRE TERMINAL PLATED WITH 1.27µm[.000050] MINIMUM THICK NICKEL.  
 SHIELD - 0.196[.0077] THICK COPPER ZINC ALLOY PREPLATED WITH 1.27µm[.000050] MINIMUM SATIN NICKEL WITH 2.03µm[.000080] MINIMUM TIN POST DIPPED ON PCB GROUND TABS.

- 2. JACK CAVITY CONFORMS TO FCC RULES AND REGULATIONS PART 68, SUBPART F.
- △ SUGGESTED PANEL OPENING DIMENSIONS.
- △ SUGGESTED CLEARANCE BETWEEN TOP OF CONNECTOR AND TOP PANEL OPENING.
- △ ON 406541-4 & 1-406541-4 LOWER RIGHT HAND PANEL GROUND TAB IS NOT PRESENT.
- △ MANUFACTURING DATE CODE:  
 LOCATED APPROX. AS SHOWN.  
 FIRST 2 DIGITS = LAST 2 DIGITS OF YEAR.  
 NEXT 2 DIGITS = MANUFACTURING WORK WEEK,  
 LAST DIGIT = DAY OF WEEK WITH SUNDAY = 1.

406541-1, -3, -6 & -7  
 1-406541-1, 1-3, 1-6 & 1-9 & 2-6  
 406541-8

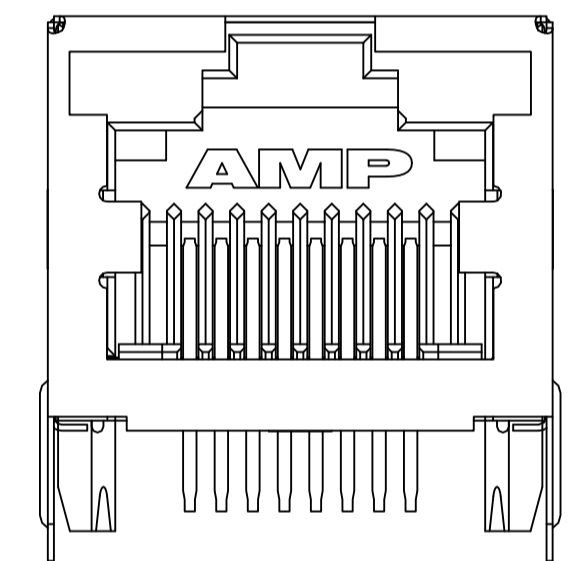


406541-4  
 1-406541-4  
 WITHOUT LOWER RIGHT PANEL GROUND

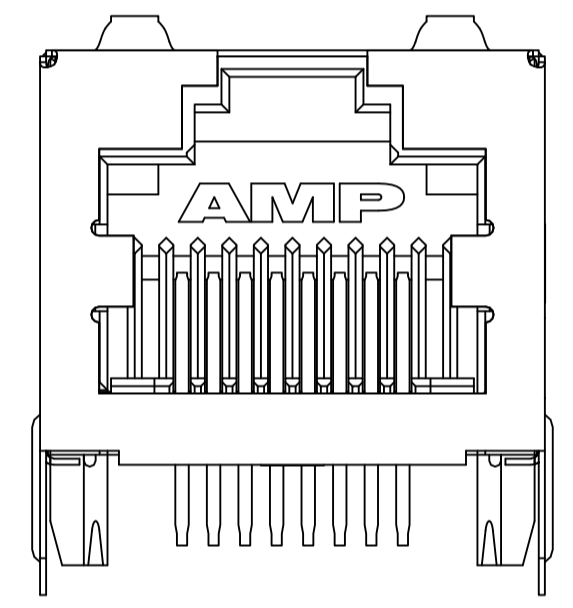
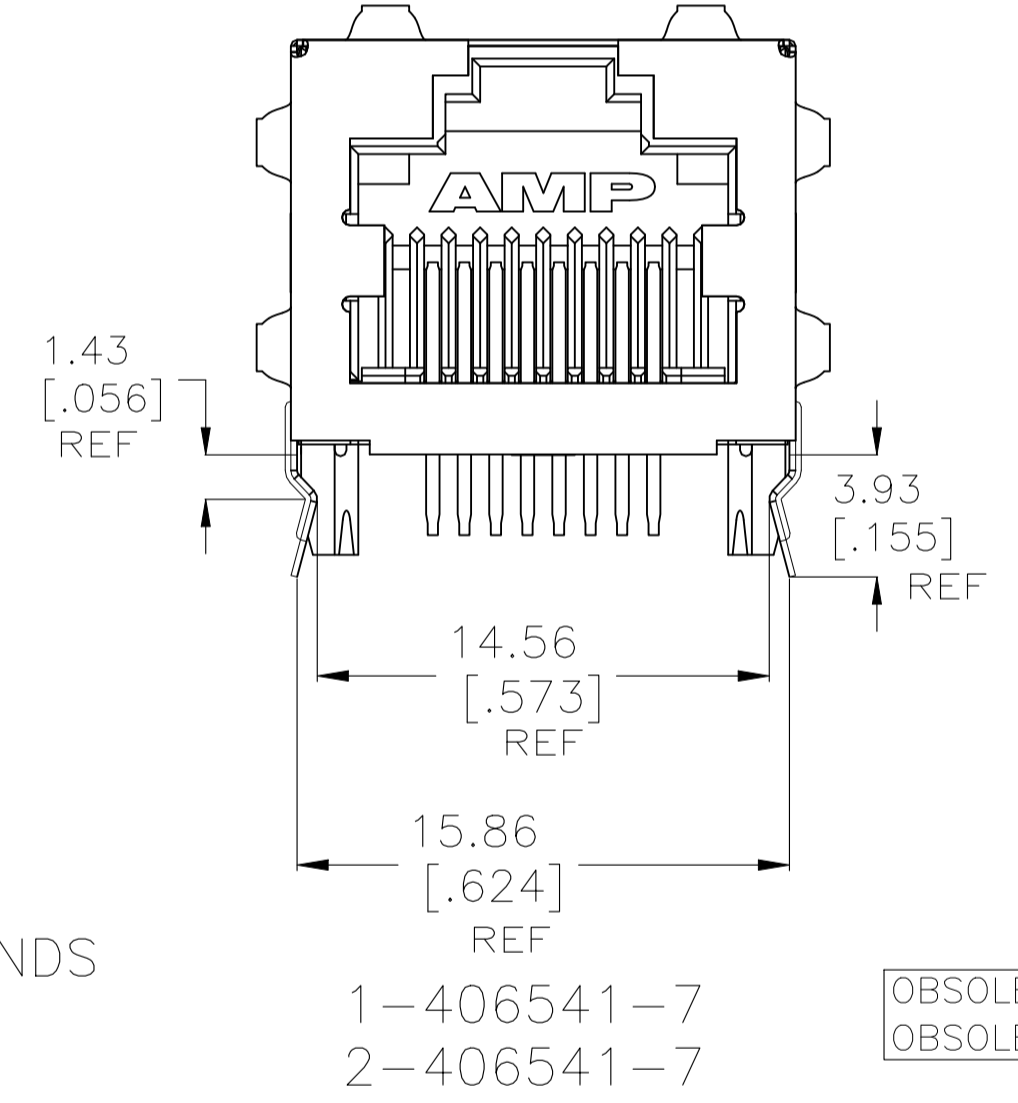


4-406541-5  
 3.00MM LENGTH GROUND PIN

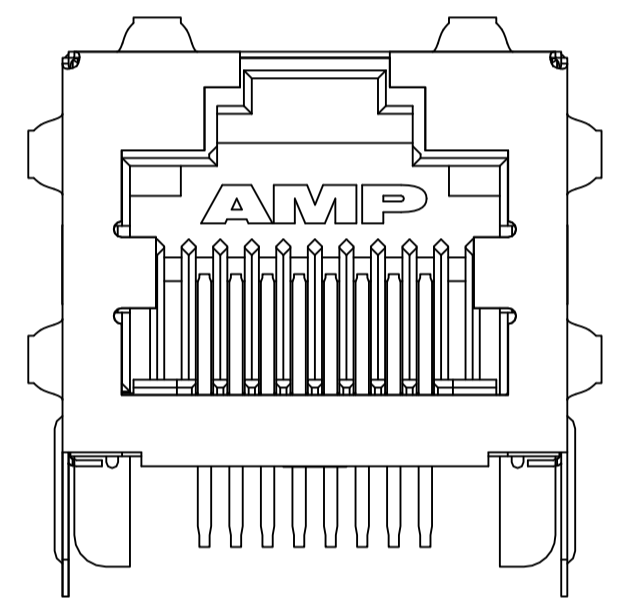
3-406541-0  
 NARROW POST TYPE



406541-5  
 1-406541-5  
 1-406541-8  
 4-406541-8  
 WITHOUT PANEL GROUNDS

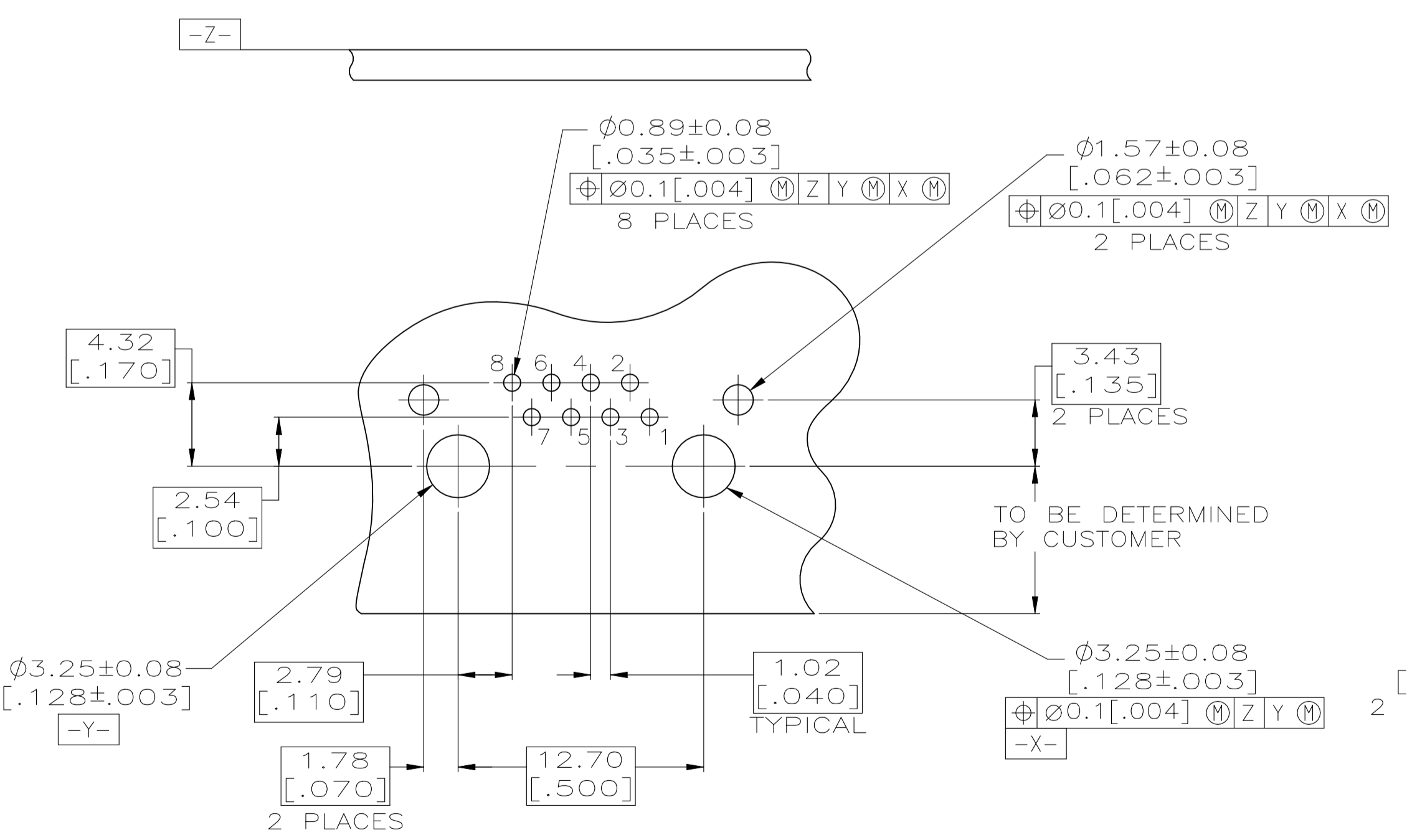


2-406541-1  
 2-406541-4

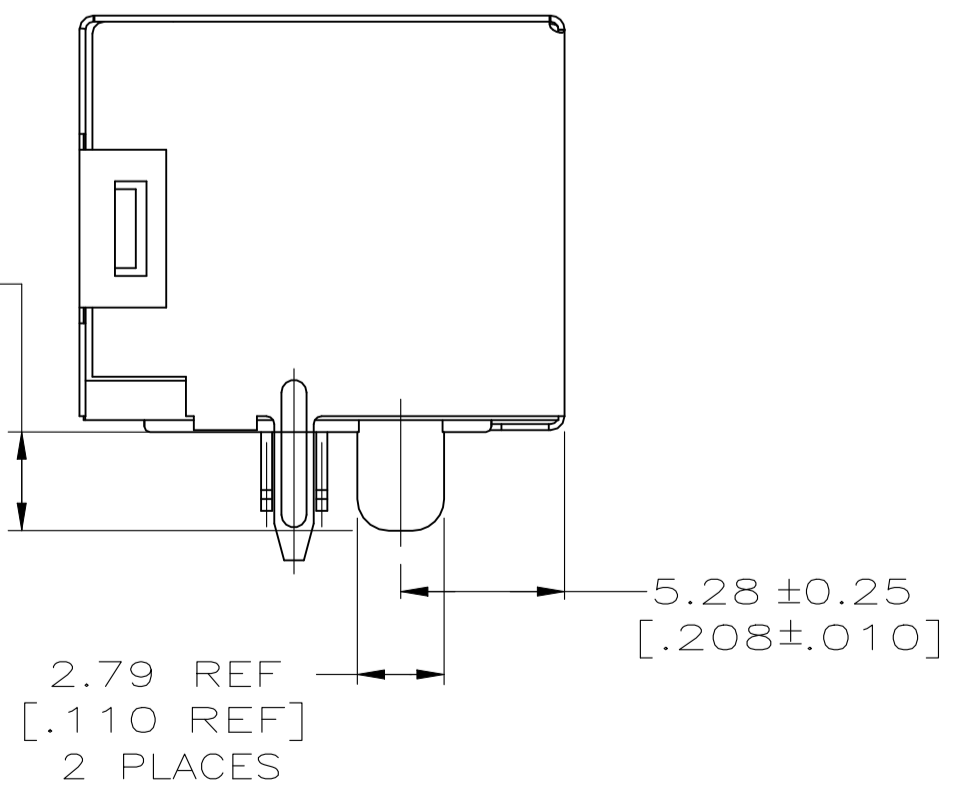


2-406541-3

	MATTE TIN	TAPE/REEL	6	2.54 [.100]	406541-8
		TRAY	0	2.54 [.100]	5-406541-0
		TAPE/REEL	0	2.54 [.100]	4-406541-9
		TRAY	0	2.54 [.100]	4-406541-5
		TAPE/REEL	0	2.54 [.100]	3-406541-1
		TAPE/REEL	0	2.54 [.100]	4-406541-8
		TAPE/REEL	0	2.54 [.100]	3-406541-0
		TRAY	6	2.54 [.100]	2-406541-7
		TRAY	6	3.56 [.140]	2-406541-6
		TAPE/REEL	2	2.54 [.100]	2-406541-4
		TRAY	6	3.05 [.120]	2-406541-3
		TRAY	0		2-406541-2
		TRAY	2	2.54 [.100]	2-406541-1
		TAPE/REEL	0	2.54 [.100]	2-406541-0
		TRAY	6	3.05 [.120]	1-406541-9
		TAPE/REEL	0	2.54 [.100]	1-406541-8
		TRAY	6	2.54 [.100]	1-406541-7
		TRAY	6	3.56 [.140]	1-406541-6
		TRAY	0	2.54 [.100]	1-406541-5
		TRAY	5	2.54 [.100]	1-406541-4
		TRAY	6	2.00 [.079]	1-406541-3
		TRAY	6	2.54 [.100]	1-406541-1
		TRAY	6	3.56 [.140]	406541-6
		TRAY	0	2.54 [.100]	406541-5
		TRAY	5	2.54 [.100]	406541-4
		TRAY	6	2.00 [.079]	406541-3
		TRAY	6	2.54 [.100]	406541-1



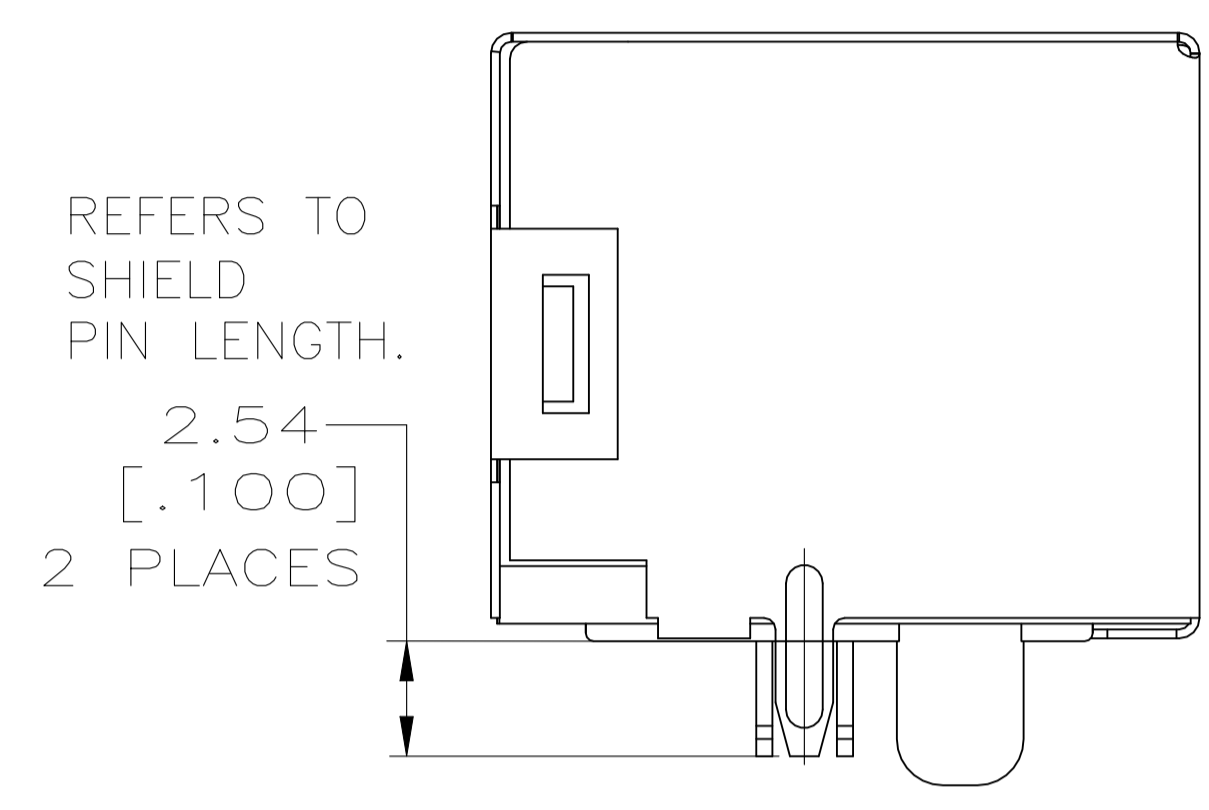
SUGGESTED PRINTED CIRCUIT BOARD LAYOUT  
 (COMPONENT SIDE)



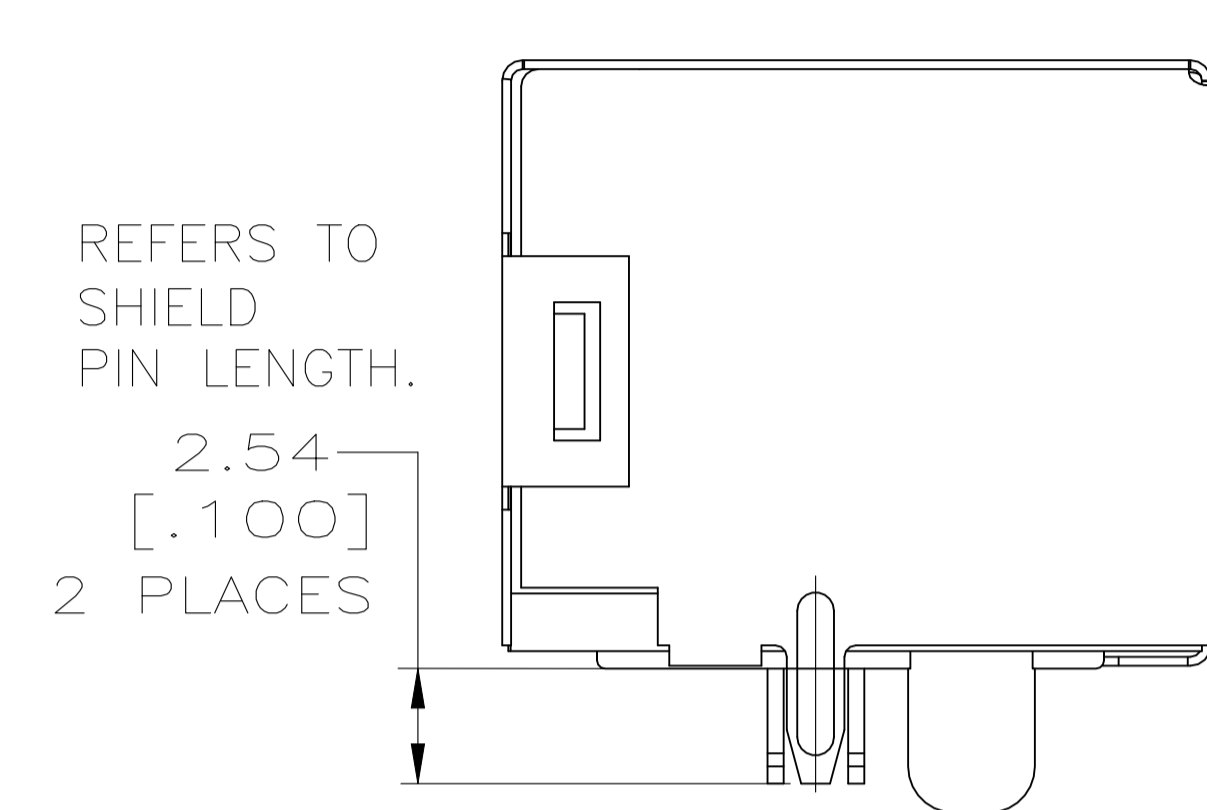
2-406541-0, 2-2, 3-1  
 NARROW POST TYPE

THIS DRAWING IS A CONTROLLED DOCUMENT.		DIN IS/LA.MAYER 09JAN2008		TE Connectivity Ltd.	
DIMENSIONS: mm [INCHES]		TOLERANCES UNLESS OTHERWISE SPECIFIED:		NAME	
0 PL	±	0 PL	±	INVERT MODULAR JACK ASSEMBLY	
1 PL	±	1 PL	±	1 X 1, SHIELDED, PANEL GROUND	
2 PL	±	2 PL	± 0.25[.010]	PRODUCT SPEC	
3 PL	±	3 PL	±	APPLICATION SPEC	
4 PL	±	4 PL	±	SIZE	
ANGLES	±	ANGLES	±	CAGE CODE	
MATERIAL	SEE TABLE	FINISH	SEE TABLE	DRAWING NO	
				A1 00779 406541	
				RESTRICTED TO	
				WEIGHT 0.000000	
				CUSTOMER DRAWING	
				SCALE 4:1	
				SHEET 1 OF 3	
				REV V1	

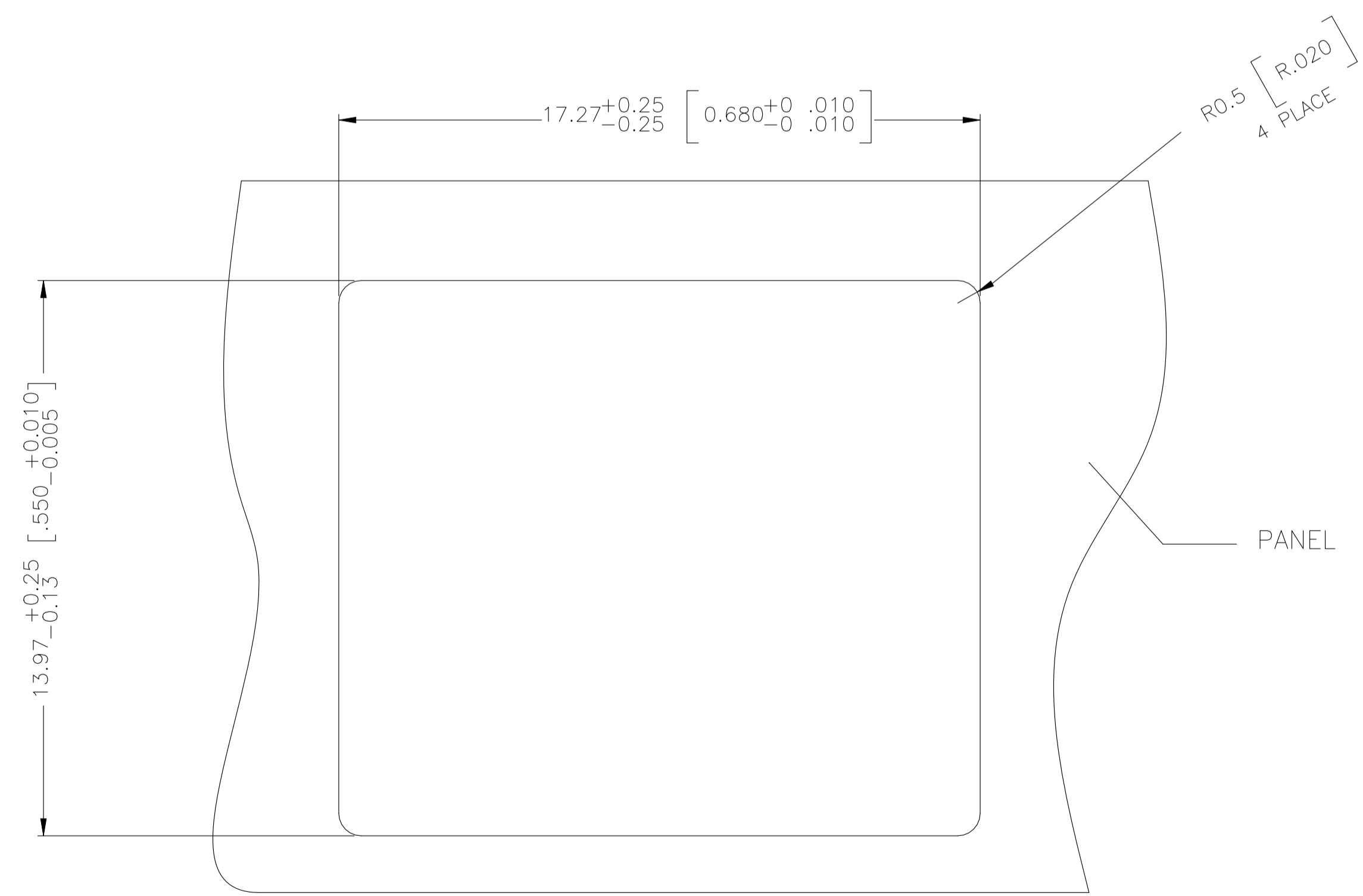
REVISIONS				
REV	DATE	DESCRIPTION	BY	APP'D
-	-	SEE SHEET 1	-	-



4-406541-9 ONLY  
ALL UNSPECIFIED DIMENSION  
SAME AS 3-406541-0



5-406541-0 ONLY  
ALL UNSPECIFIED DIMENSION  
SAME AS 2-406541-2

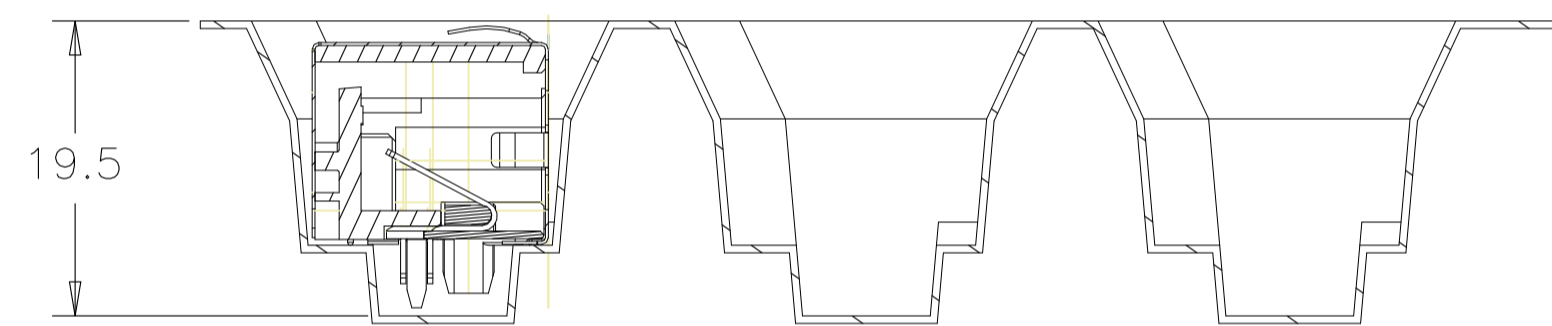
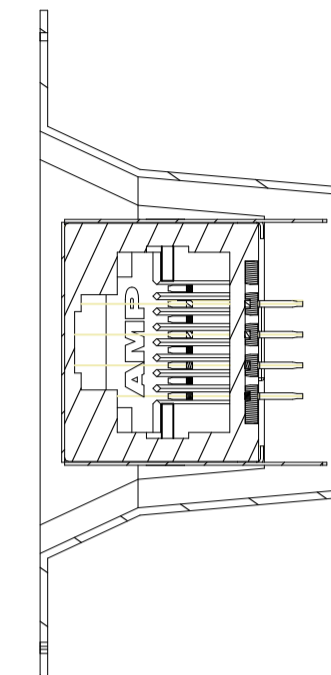
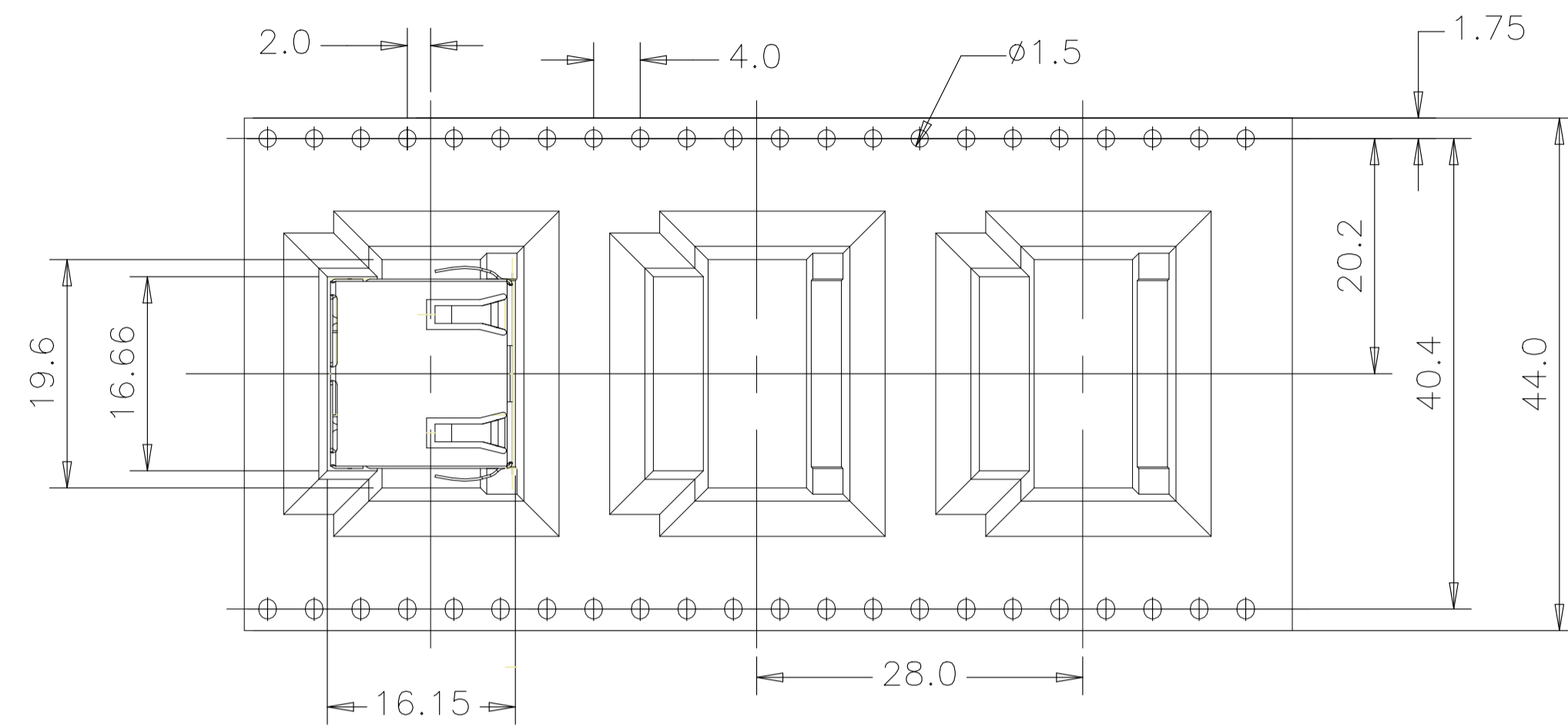


RECOMMENDED PANEL CUTOUT DIMENSIONS  
ONLY FOR WITH PANEL GROUNDS PART NUMBER

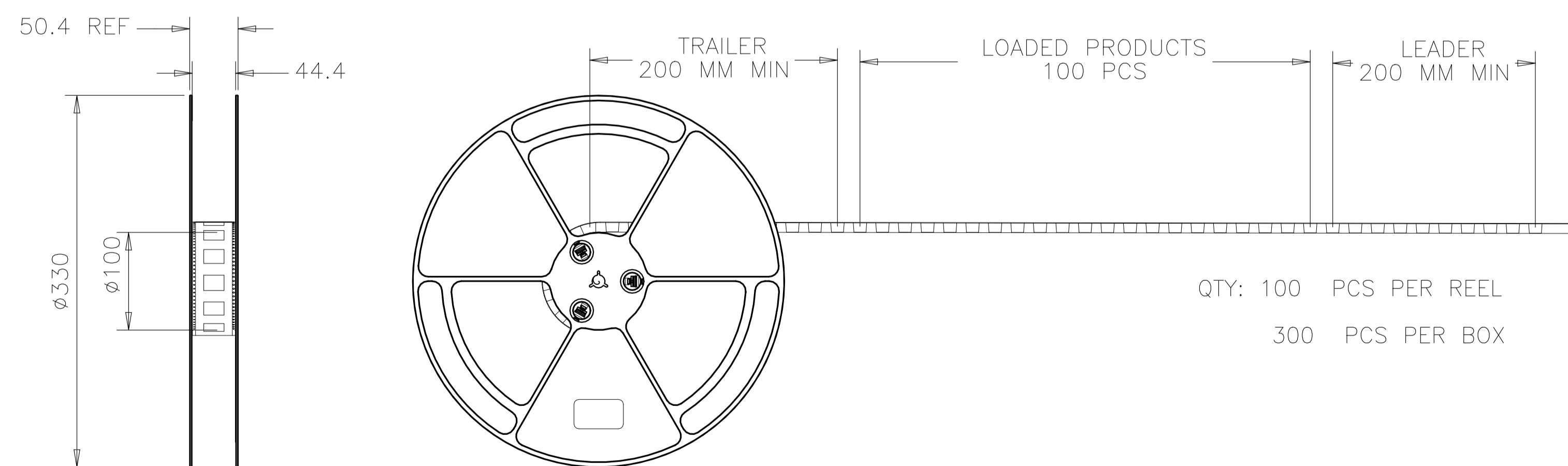
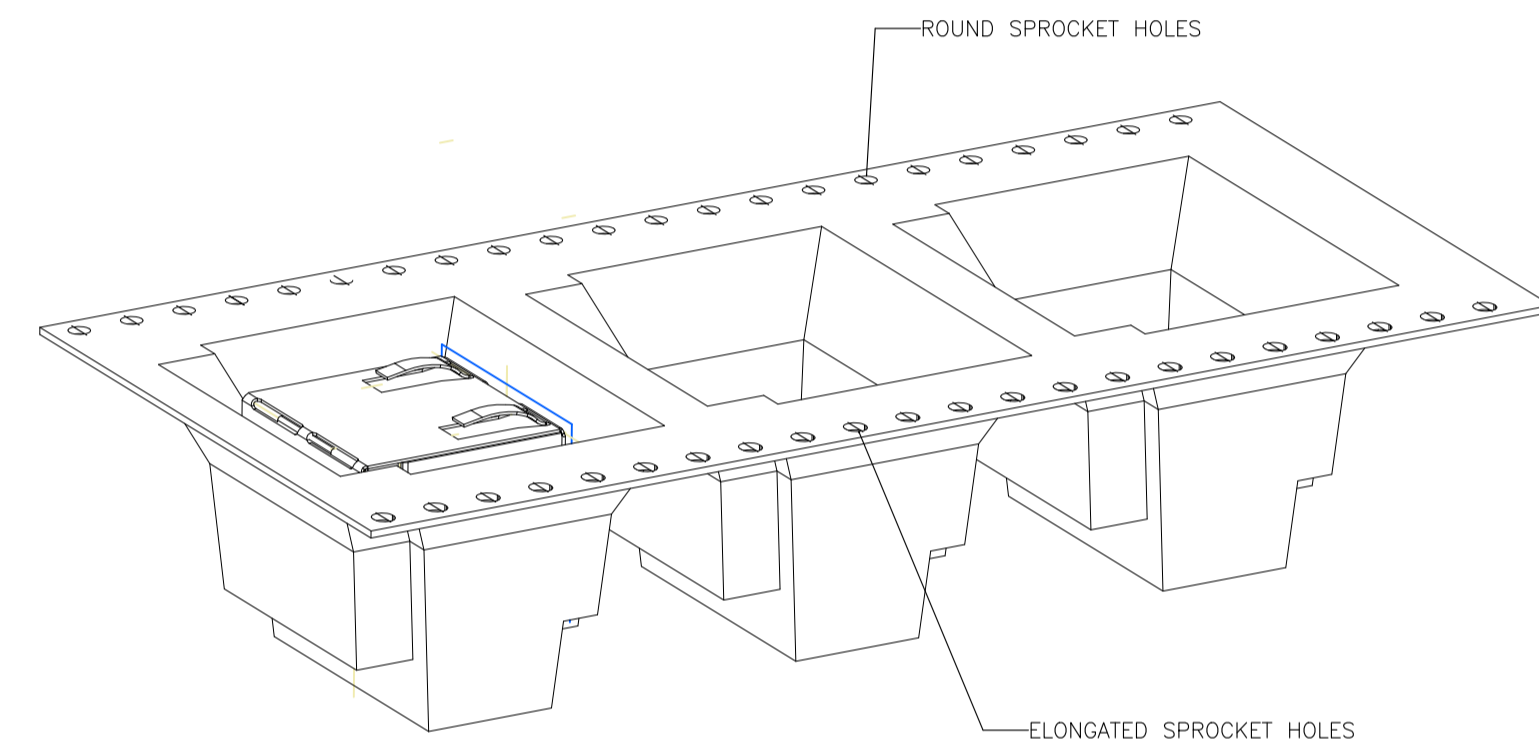
THIS DRAWING IS A CONTROLLED DOCUMENT.		DIN TS/L.MAYER 09JAN2008		TE Connectivity Ltd.	
DIMENSIONS: mm [INCHES]		CHK J.WESTMAN 09JAN2008			
TOLERANCES UNLESS OTHERWISE SPECIFIED:		APP'D S.FLICKINGER 09JAN2008		NAME INVERT MODULAR JACK ASSEMBLY 1 X 1, SHIELDED, PANEL GROUND	
0. PLC ± -		PRODUCT SPEC		APPLICATION SPEC	
1. PLC ± -		APPLY TO THIS DRAWING		SIZE A1	
2. PLC ± 0.25[.010]		RESTRICTED TO		CAGE CODE 00779	
3. PLC ± -		WEIGHT 0.000000		DRAWING NO. 406541	
4. PLC ± -		MATERIAL SEE TABLE		SHEET 2 OF 3	
ANGLES ± -		FINISH SEE TABLE		REV V1	
CUSTOMER DRAWING		SCALE 4:1		REV	

REVISIONS				
REV	DATE	DESCRIPTION	BY	APP'D
-	-	SEE SHEET 1	-	-

# TAPE AND REEL PACKAGING METHOD



USER DIRECTION  
OF UNREELING →



THIS DRAWING IS A CONTROLLED DOCUMENT.		DIN TS/L.MAYER 09JAN2008		TE Connectivity Ltd.	
DIMENSIONS: mm [INCHES]		CHK J.WESTMAN 09JAN2008			
TOLERANCES UNLESS OTHERWISE SPECIFIED:		APVD S.FLICKINGER 09JAN2008		NAME INVERT MODULAR JACK ASSEMBLY 1 X 1, SHIELDED, PANEL GROUND	
0. PLC ± - 1. PLC ± - 2. PLC ± 0.25[.010] 3. PLC ± - 4. PLC ± - ANGLES ± -		APPLICATION SPEC		RESTRICTED TO	
MATERIAL SEE TABLE		FINISH SEE TABLE		WEIGHT 0.000000	
		SIZE A1		CAGE CODE 00779	
		DRAWING NO 406541		SCALE 4:1	
		CUSTOMER DRAWING		SHEET 3 OF 3 REV V1	