

4

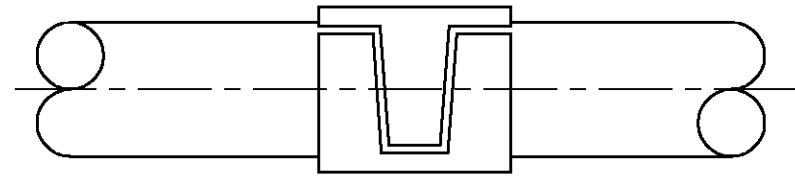
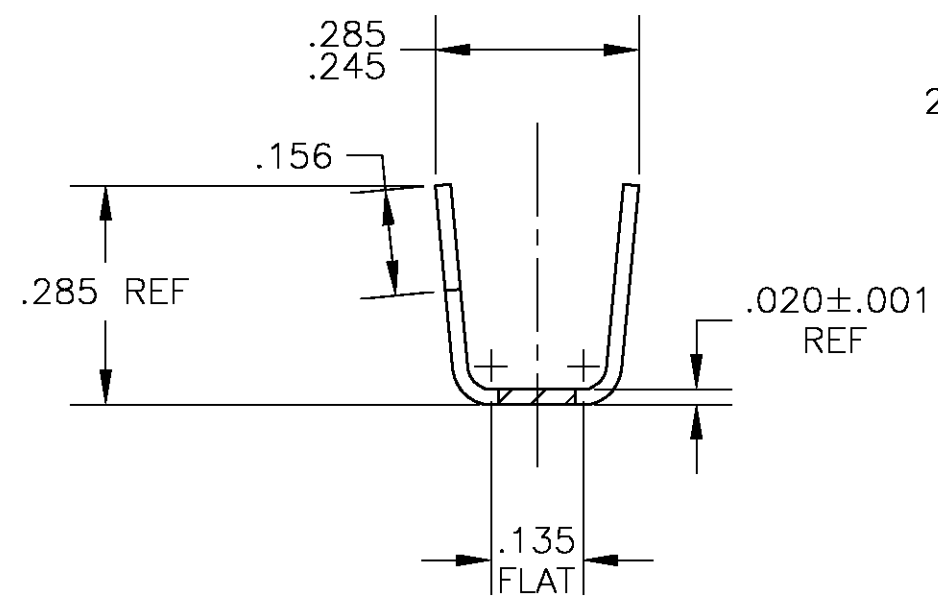
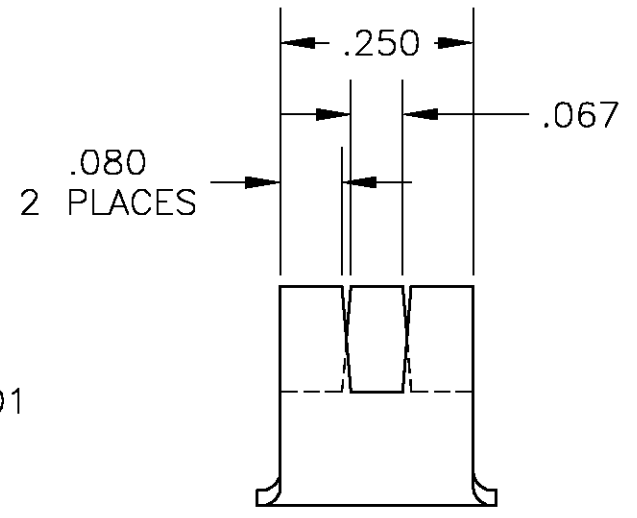
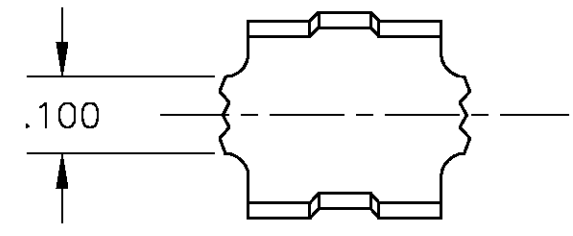
3

2

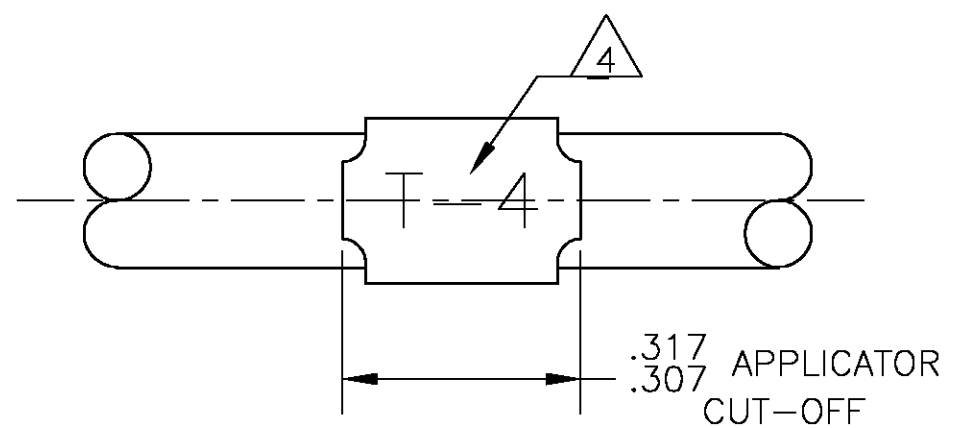
1

THIS DRAWING IS UNPUBLISHED. RELEASED FOR PUBLICATION
 © COPYRIGHT 1972 BY TYCO ELECTRONICS CORPORATION. ALL RIGHTS RESERVED.

LOC	DIST	REVISIONS					
		P	LTR	DESCRIPTION	DATE	DWN	APVD
AF	50		M	REL PER 0G3A-0714-04	14SEP04	JR	GP



TOP VIEW



BOTTOM VIEW

- 1 CONTINUOUS STRIP ON REELS.
- △2 RED ANODIZED PER MIL STD #104A.
- △3 YELLOW ANODIZED PER MIL STD #104A.
- △4 ALPHANUMERIC CODING MAY BE STAMPED IN THIS AREA IN APPLICATOR. CUSTOMER TO SPECIFY WHEN ORDERING. (1 - 3 DIGITS OR LETTERS)
- △5 SPLICE FREE REELING

	-	.125-.220 DIA	△5 41276-3
OBSOLETE	△3	.125-.220 DIA	41276-2
OBSOLETE	△2	.125-.220 DIA	41276-1
	-	.125-.220 DIA	41276
	FINISH	INSULATION RANGE	PART NUMBER

THIS DRAWING IS A CONTROLLED DOCUMENT.		DWN MICHAEL S. FEHER 17SEP2002	Tyco Electronics Corporation Harrisburg, PA 17105-3608	
DIMENSIONS: INCHES		CHK GARY PORTA 17SEP2002	Tyco Electronics	
TOLERANCES UNLESS OTHERWISE SPECIFIED:		APVD GARY PORTA 17SEP2002	NAME	
0 PLC ± -		PRODUCT SPEC	IDENTIFICATION BAND	
1 PLC ± -		APPLICATION SPEC	-	
2 PLC ± -		WEIGHT	SIZE	CAGE CODE
3 PLC ± .010		H14 ALUMINUM	A3	00779
4 PLC ± -			DRAWING NO	
ANGLES ± 1'		FINISH	C-41276	
SEE TABLE		CUSTOMER DRAWING	RESTRICTED TO	
		SCALE	SHEET	REV
		4:1	1 OF 1	M