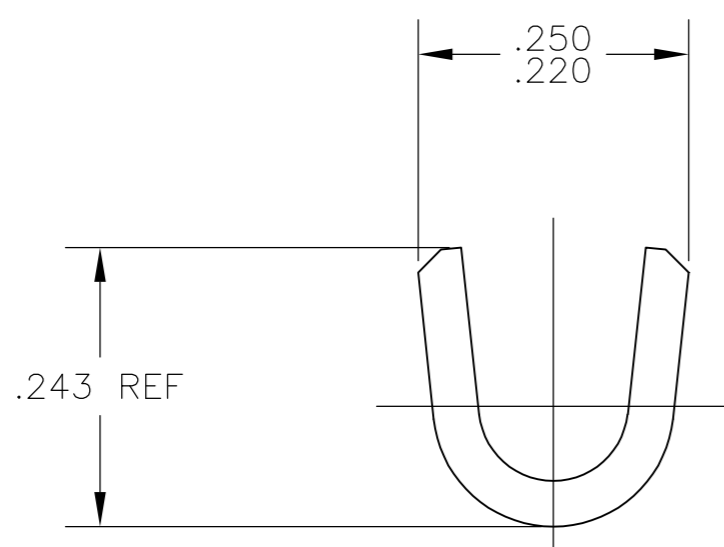
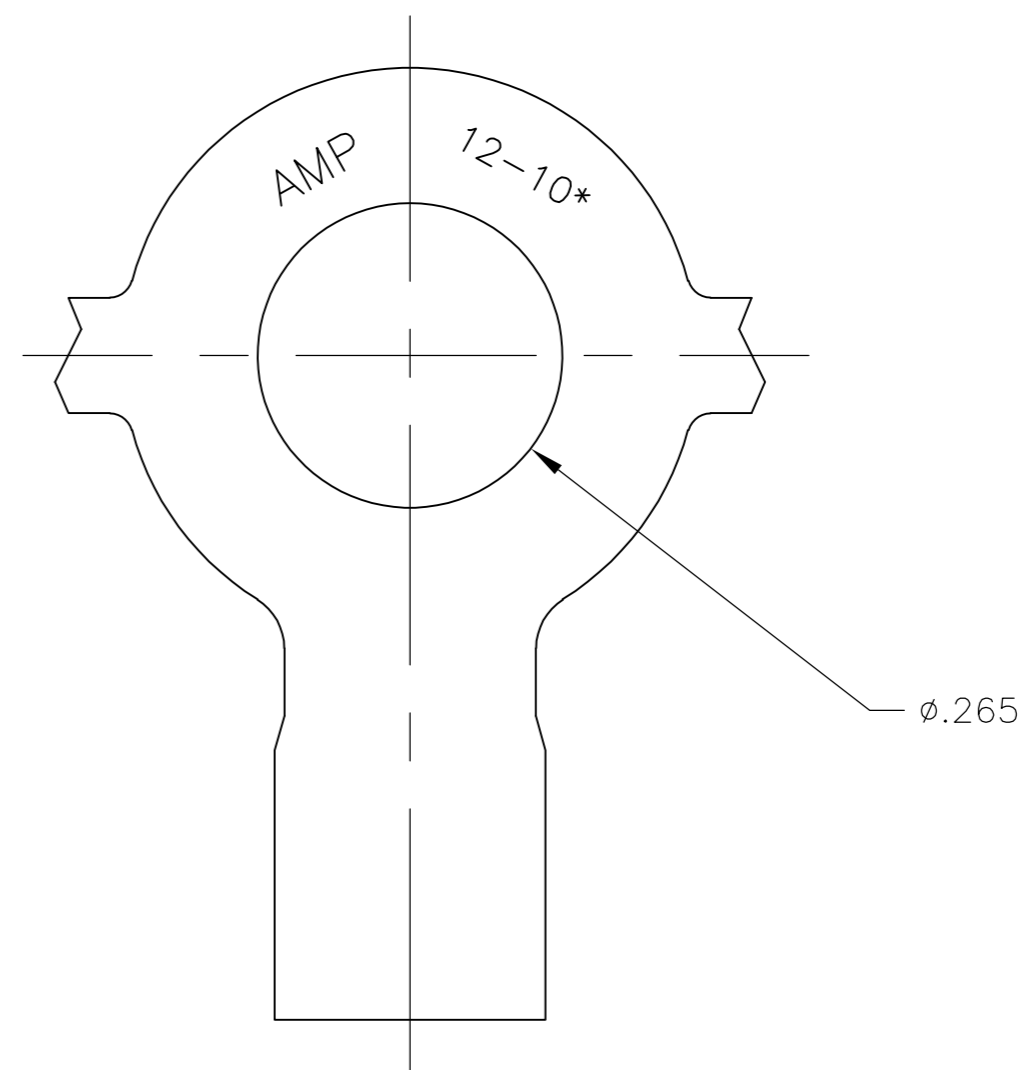
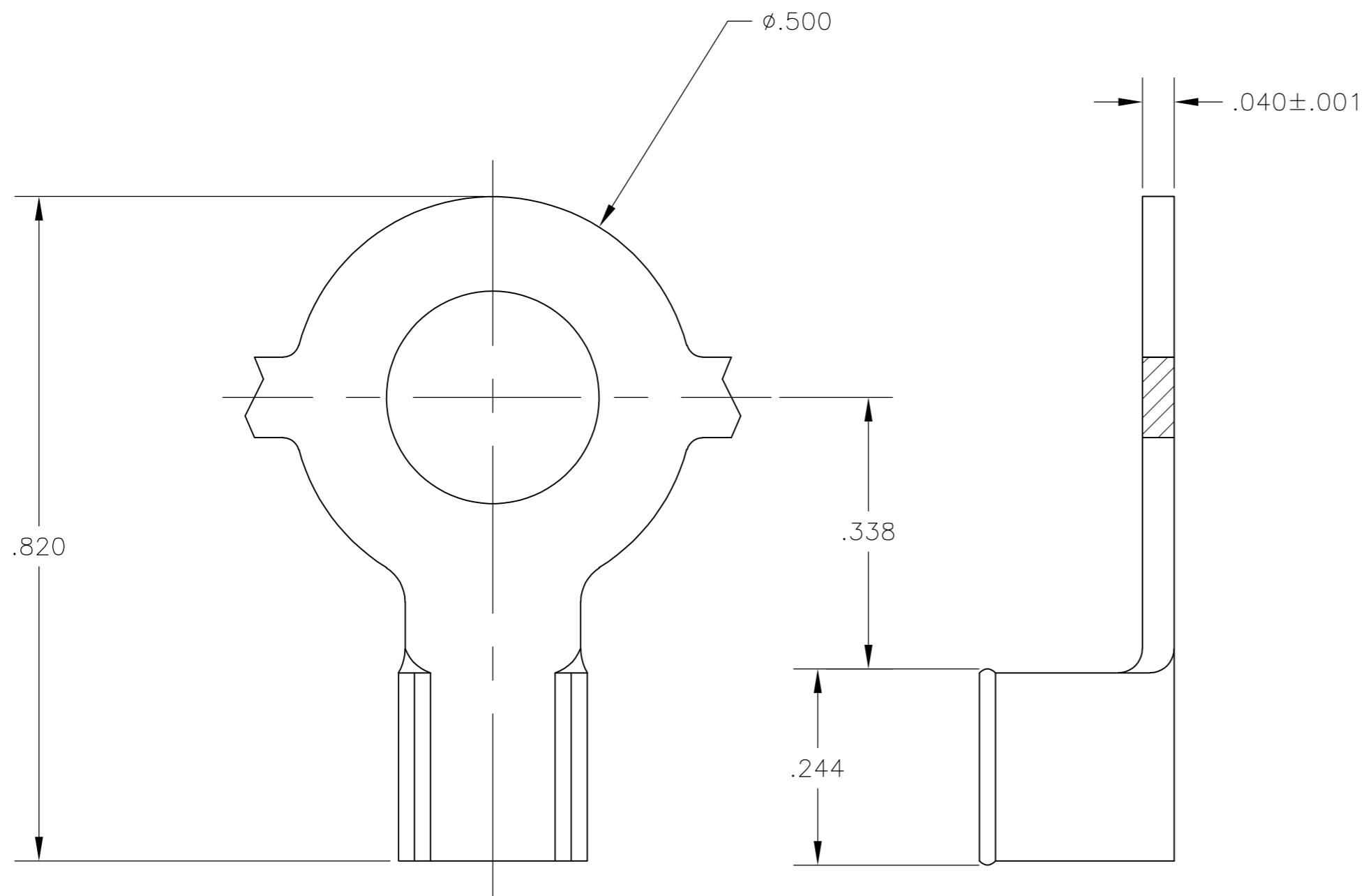


THIS DRAWING IS UNPUBLISHED. RELEASED FOR PUBLICATION  
 © COPYRIGHT BY TYCO ELECTRONICS CORPORATION. ALL RIGHTS RESERVED.

LOC	DIST	REVISIONS			
P	LTR	DESCRIPTION	DATE	DWN	APVD
AF	15	K	REVISED PER ECR-10-006099	07JUL10	HMR PD

1. CONTINUOUS STRIP ON REELS.
2. WIRE RANGE: #12-#10 AWG.



41356  
 PART NUMBER

THIS DRAWING IS A CONTROLLED DOCUMENT.		DWN MICHAEL S. FEHER 05MAY2004	Tyco Electronics Corporation Harrisburg, Pa 17105-3608	
DIMENSIONS: INCHES		CHK DONALD F. DECKER 05MAY2004	NAME DONALD F. DECKER	
TOLERANCES UNLESS OTHERWISE SPECIFIED:		APVD DONALD F. DECKER 05MAY2004	PRODUCT SPEC	
0 PLC ± -		APPLICATION SPEC		
1 PLC ± -		WEIGHT -		
2 PLC ± -		SIZE A2		
3 PLC ± .010		CAGE CODE 00779		
4 PLC ± -		DRAWING NO C-41356		
ANGLES ± -		RESTRICTED TO -		
FINISH TIN		SCALE 6:1		
MATERIAL 082 BRASS		SHEET 1 OF 1		
CUSTOMER DRAWING		REV K		