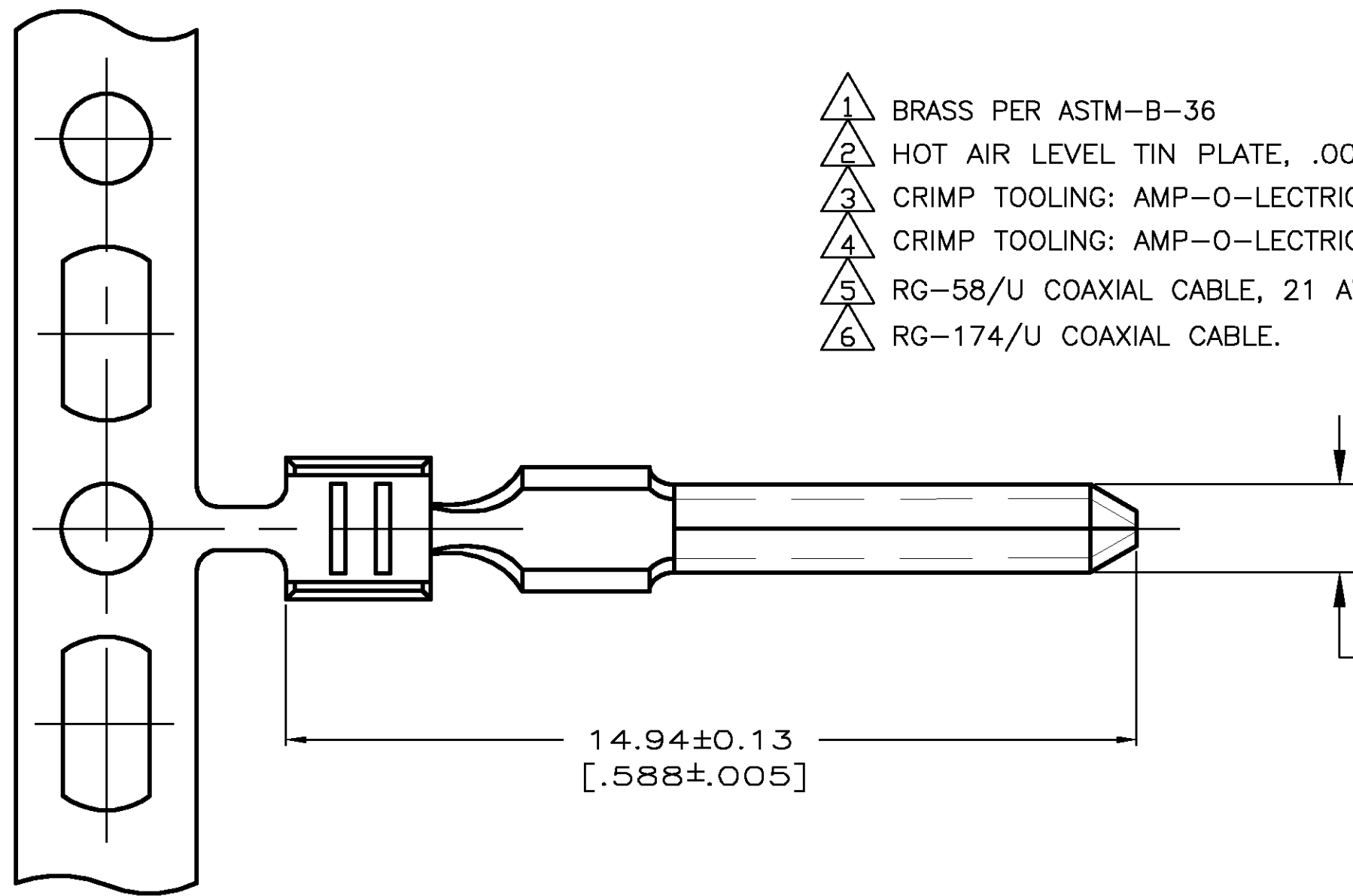
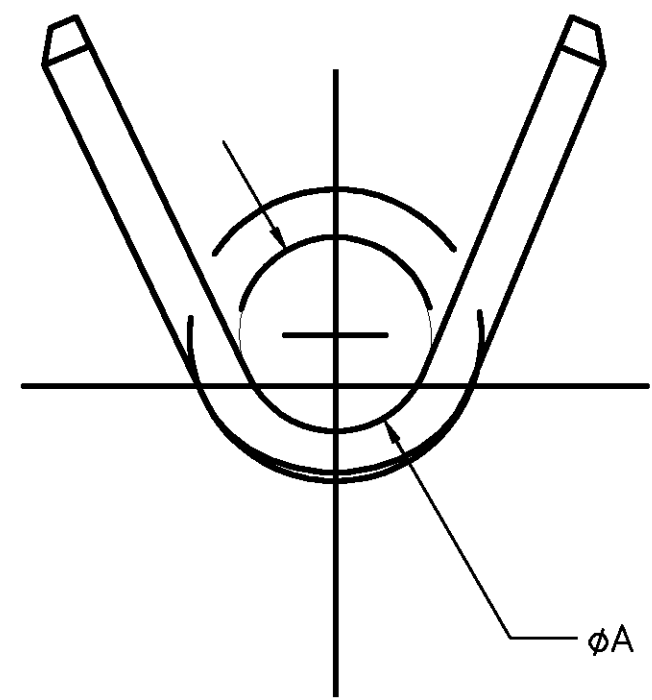


THIS DRAWING IS UNPUBLISHED. RELEASED FOR PUBLICATION  
 © COPYRIGHT BY TYCO ELECTRONICS CORPORATION. ALL RIGHTS RESERVED.

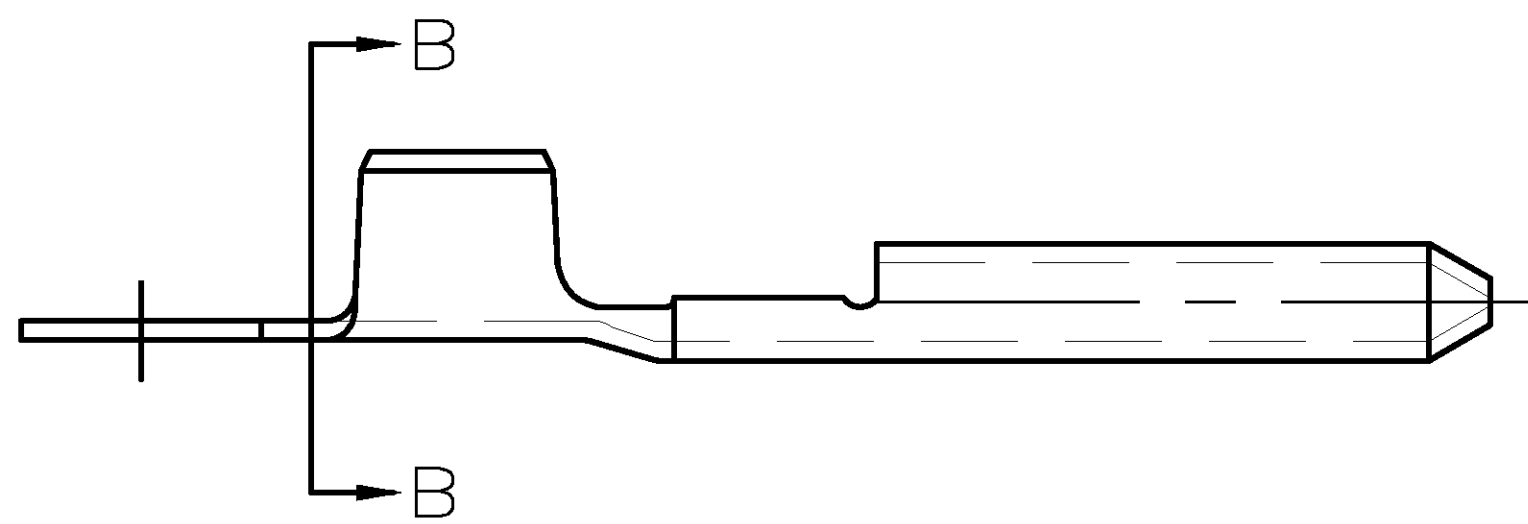
LOC		DIST		REVISIONS					
AJ		16		P	LTR	DESCRIPTION	DATE	DWN	APVD
				D		EC 0K40-0823-02	30AUG02	JRB	LLV



- 1 BRASS PER ASTM-B-36
- 2 HOT AIR LEVEL TIN PLATE, .000100 MINIMUM THICK
- 3 CRIMP TOOLING: AMP-O-LECTRIC 354500-1 WITH APPLICATOR 466689-2
- 4 CRIMP TOOLING: AMP-O-LECTRIC 354500-1 WITH APPLICATOR 567386-2
- 5 RG-58/U COAXIAL CABLE, 21 AWG SOLID, 22 AWG STRANDED.
- 6 RG-174/U COAXIAL CABLE.



SECTION B-B  
SCALE 25:1



4	6	0.64 [.025]	414942-2
3	5	1.02 [.040]	414942-1
USE WITH		φA	PART NUMBER

THIS DRAWING IS A CONTROLLED DOCUMENT.		DWN	2-23-95	Tyco Electronics Corporation Harrisburg, PA 17105-3608		
DIMENSIONS: MM [INCHES]		CHK	2-24-95			
TOLERANCES UNLESS OTHERWISE SPECIFIED:		APVD	2-24-95			
0 PLC ± - 1 PLC ± - 2 PLC ± - 3 PLC ± - 4 PLC ± - ANGLES ± -		NAME	CONTACT, PIN MINIATURE UHF			
MATERIAL	FINISH	WEIGHT	SIZE	CAGE CODE	DRAWING NO	RESTRICTED TO
1	2	-	A2	00779	414942	-
CUSTOMER DRAWING		SCALE 10:1		SHEET 1 OF 1	REV D	