

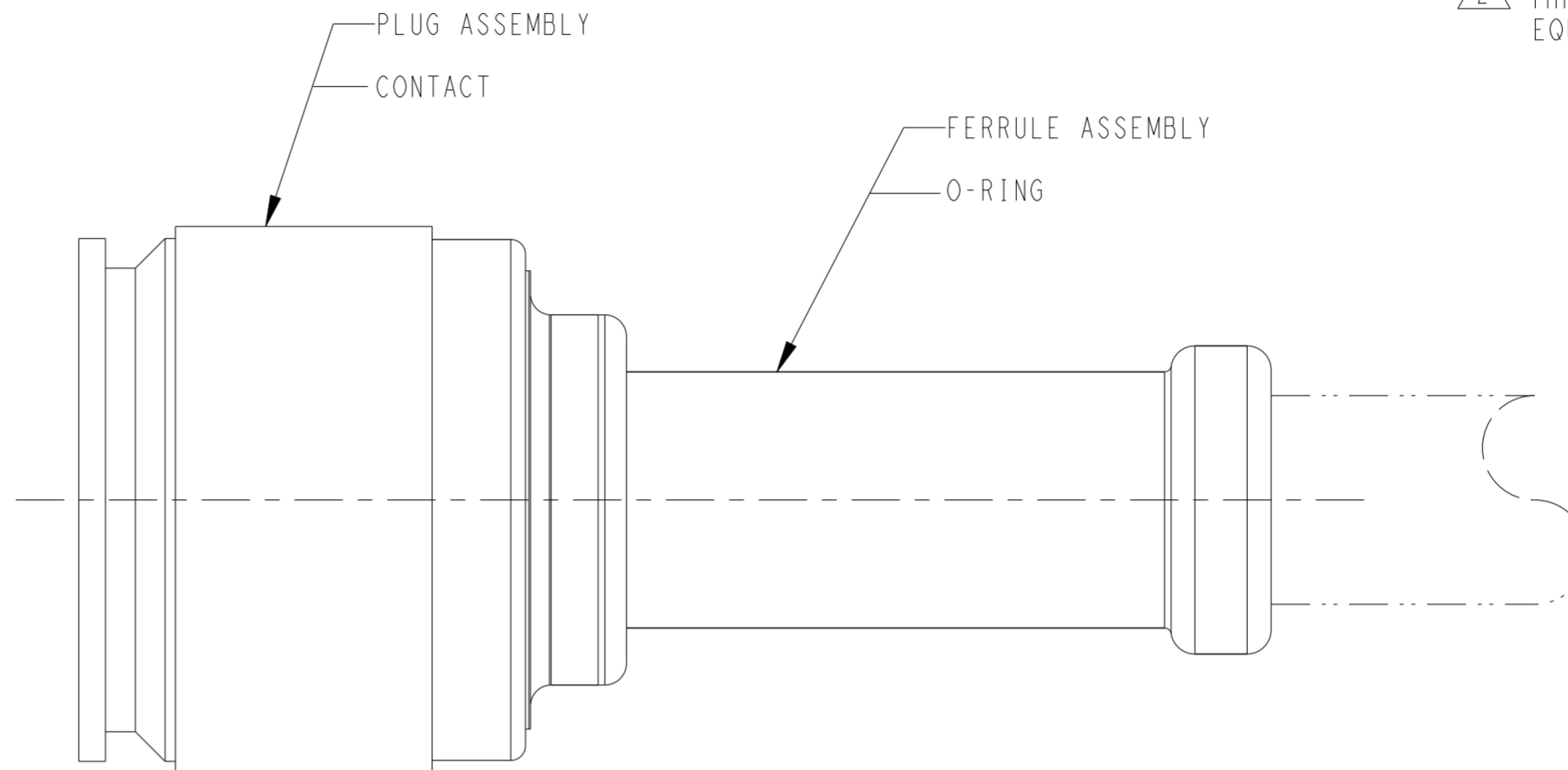
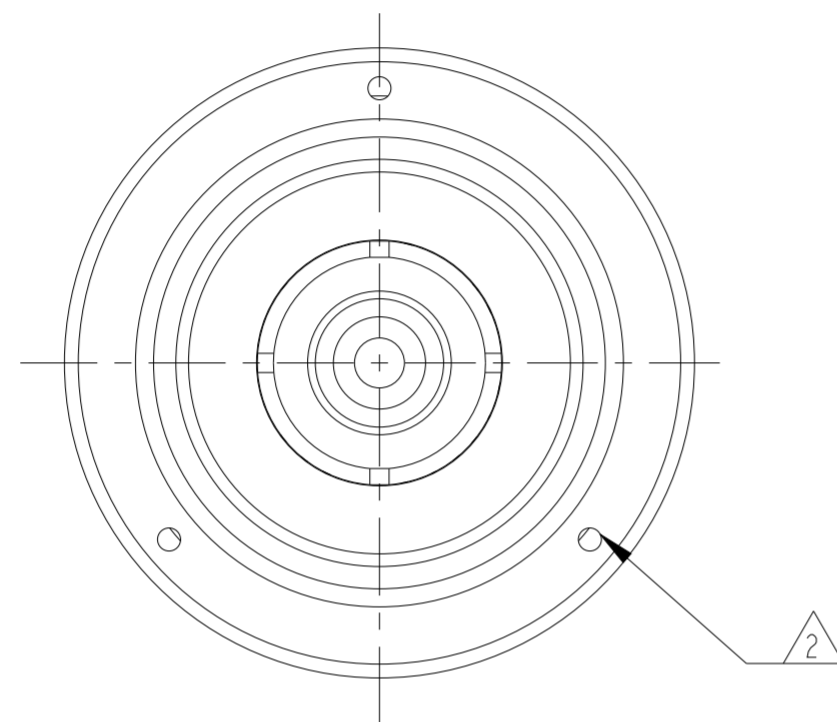
THIS DRAWING IS UNPUBLISHED. 2024 TE Connectivity. All Rights Reserved. RELEASED FOR PUBLICATION ALL RIGHTS RESERVED.

LOC		DIST		REVISIONS			
P	LTR	DESCRIPTION	DATE	DWN	APVD		
	B	RELEASE PER ECN-24-271978	27JUN2024	RTF	J.G.		

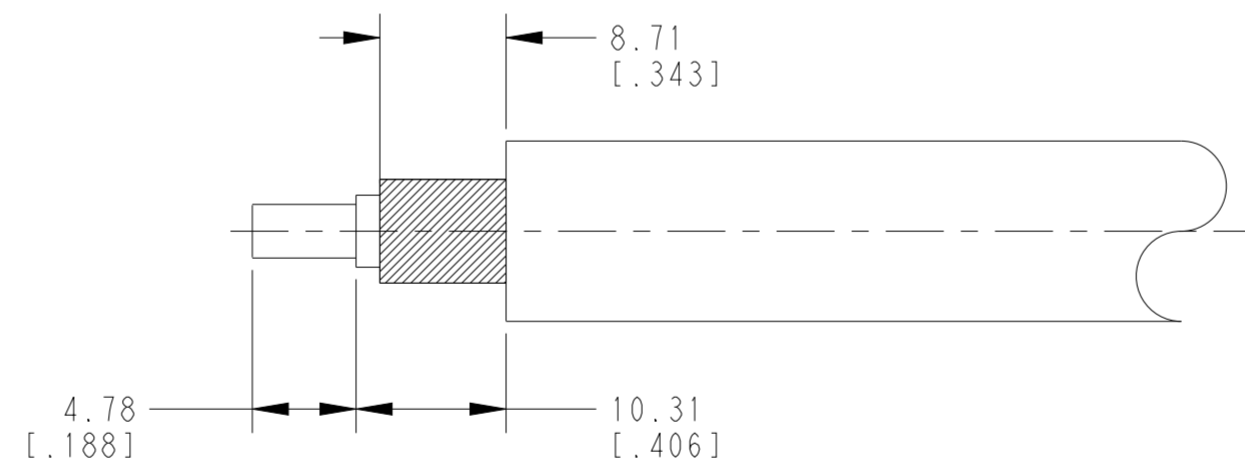
WARNING - THIS DOCUMENT CONTAINS TECHNOLOGY WHOSE EXPORT IS RESTRICTED BY THE EXPORT ADMINISTRATION REGULATIONS ("EAR") PURSUANT TO 15 C.F.R. PARTS 730-774. VIOLATIONS OF THE EAR ARE SUBJECT TO SEVERE CRIMINAL PENALTIES UNDER THE EXPORT CONTROL REFORM ACT, AS AMENDED (TITLE 50, U.S.C., SEC. 4801, ET SEQ.).

NOTES:

- PARTS PACKAGED UNASSEMBLED.
- THREE SAFETY WIRE HOLES $\varnothing 0.61$ [$\varnothing .024$] MIN EQUALLY SPACED AROUND CIRCUMFERENCE.



COUPLING NUT	BRASS PER ASTM B16	SILVER PLATE PER ASTM B700
WASHER	PHOSPHOR BRONZE ALLOY PER ASTM B139	N/A
GASKETS	SILICONE RUBBER PER A-A-59588	N/A
SHELL	BRASS PER ASTM B16	SILVER PLATE PER ASTM B700
OUTER CONTACT	PHOSPHOR BRONZE ALLOY PER ASTM B139	SILVER PLATE PER ASTM B700
DIELECTRIC	PTFE FLOUROCARBON PER ASTM-D-1457	N/A
INNER FERRULE	BRASS PER ASTM B16 OR B36	SILVER PLATE PER ASTM B700
CENTER CONTACT	BRASS PER ASTM B16	SILVER PLATE PER ASTM B700
O-RING	SILICONE RUBBER PER A-A-59588	N/A
CRIMP FERRULE	COPPER OR BRASS ALLOY ROCKWELL B45 MAX	SILVER PLATE PER ASTM B700
COMPONENT	MATERIAL	FINISH



RECOMMENDED STRIP LENGTH

RAYCHEM 5012H3012	415264-1
CABLE SIZE	PART NUMBER

THIS DRAWING IS A CONTROLLED DOCUMENT.

DWN R FRAZIER 18JUN2024	TE Connectivity	NAME PLUG, WEATHERPROOF, SERIES N
CHK J GUNDERMANN 18JUN2024		
APVD D WILSON 18JUN2024		
DIMENSIONS: mm [in]	TOLERANCES UNLESS OTHERWISE SPECIFIED:	PRODUCT SPEC
0 PLC ±	1 PLC ±	-
2 PLC ±	3 PLC ±	-
4 PLC ±	ANGLES ±	-
MATERIAL	FINISH	APPLICATION SPEC
-	-	-
-	-	WEIGHT
-	-	-
CUSTOMER	SCALE 3:1	SHEET 1 OF 1
SIZE A2	CAGE CODE 00779	DRAWING NO C-415264
		RESTRICTED TO -
		REV B