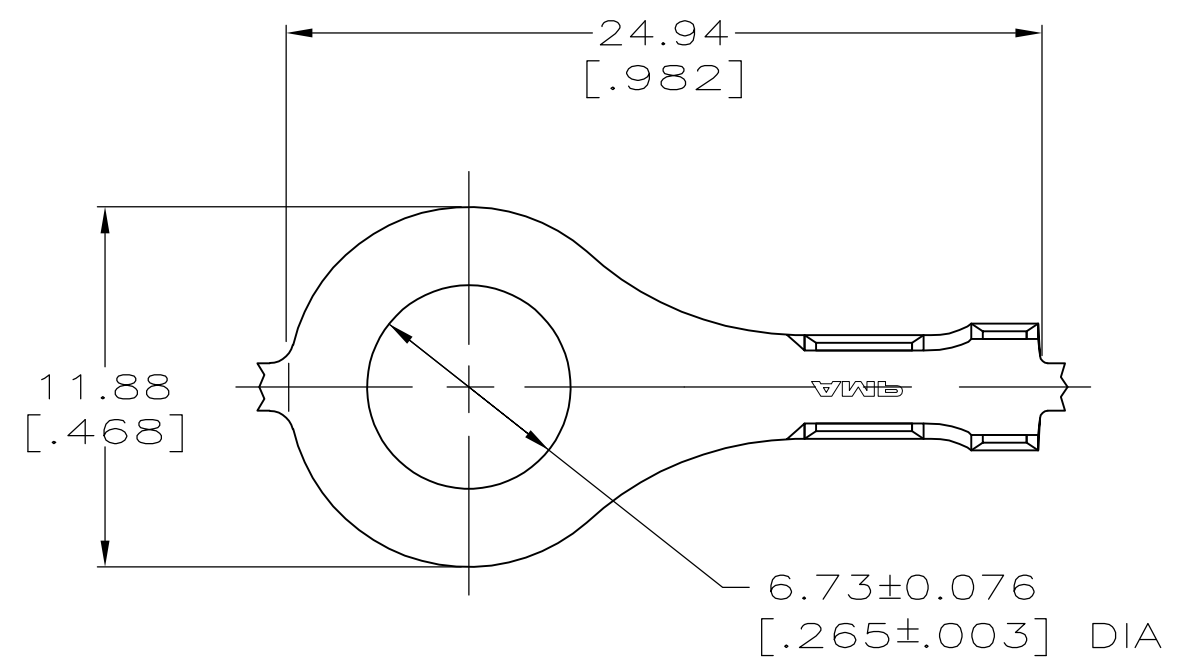
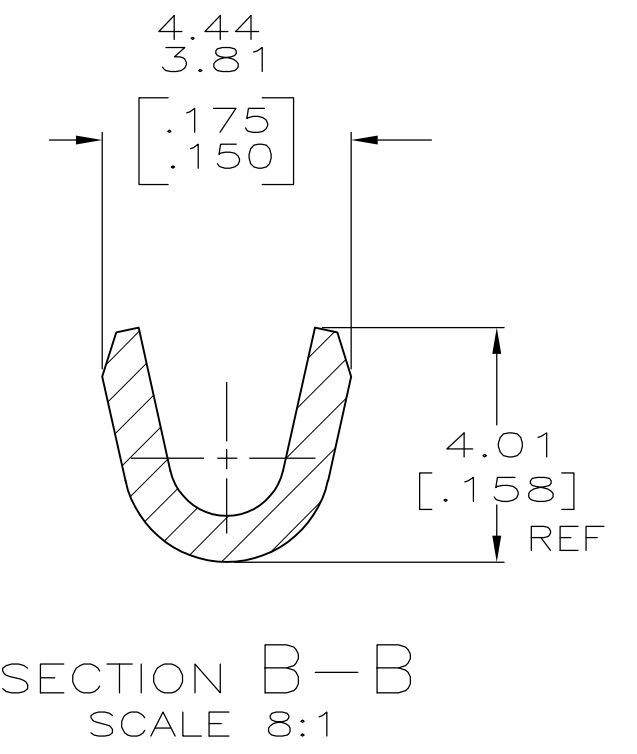
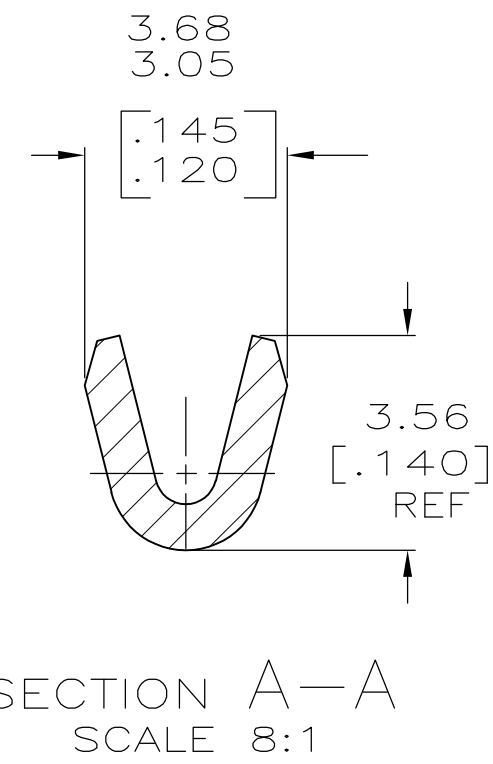
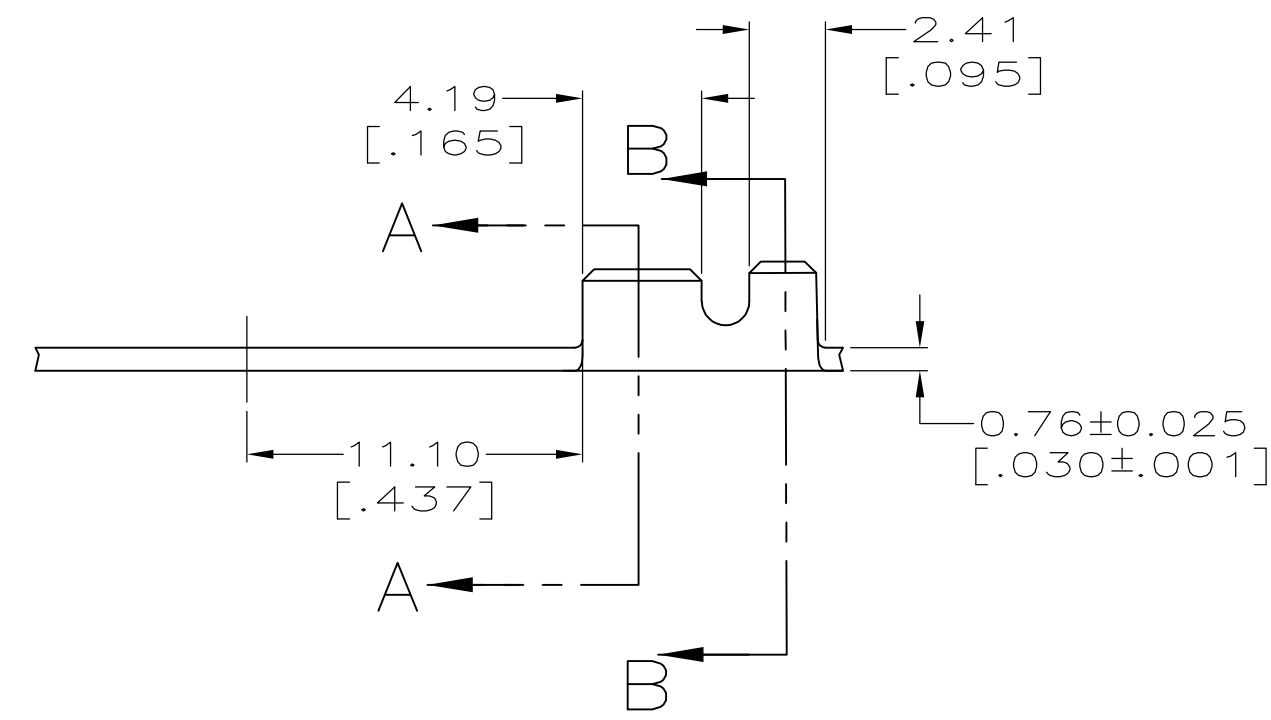


THIS DRAWING IS UNPUBLISHED. RELEASED FOR PUBLICATION
 © COPYRIGHT - By - ALL RIGHTS RESERVED.

REVISIONS				
P	LTR	DESCRIPTION	DATE	APVD
	K1	REVISED PER ECR-17-001421	03FEB2017	NK FV



- 1 CONTINUOUS STRIP ON REELS AT A FEED OF 27.68 ± 0.13 [$1.090 \pm .005$].
- 2 WIRE SIZE IS [#22-#18] AWG.
- 3 INSULATION RANGE IS 1.78-2.54 [$.070-.100$] DIA.
- △ 4 REELED WITH INTERLEAVING PAPER.



△ 4	41711-2
	41711
	PART NO.

THIS DRAWING IS A CONTROLLED DOCUMENT.		DWN JR RUTH 10/5/98	TE Connectivity				
DIMENSIONS: mm [INCHES]		CHK MS FEHER 10/5/98					
TOLERANCES UNLESS OTHERWISE SPECIFIED:		APVD J DUNCAN 10/5/98	NAME				
0 PLC ± - 1 PLC ± - 2 PLC ± 0.38 [.015] 3 PLC ± - 4 PLC ± - ANGLES ± -		PRODUCT SPEC	TERMINAL, RING				
MATERIAL 082 BRASS		FINISH TIN	APPLICATION SPEC	SIZE A3	CAGE CODE 00779	DRAWING NO C-41711	RESTRICTED TO
CUSTOMER DRAWING			WEIGHT 0.000000	SCALE 4:1	SHEET 1 OF 1	REV K1	