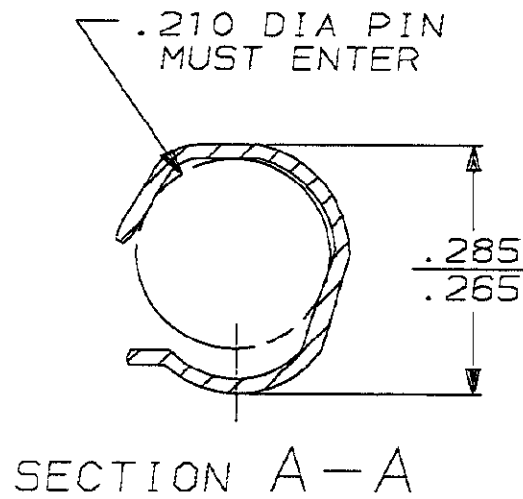
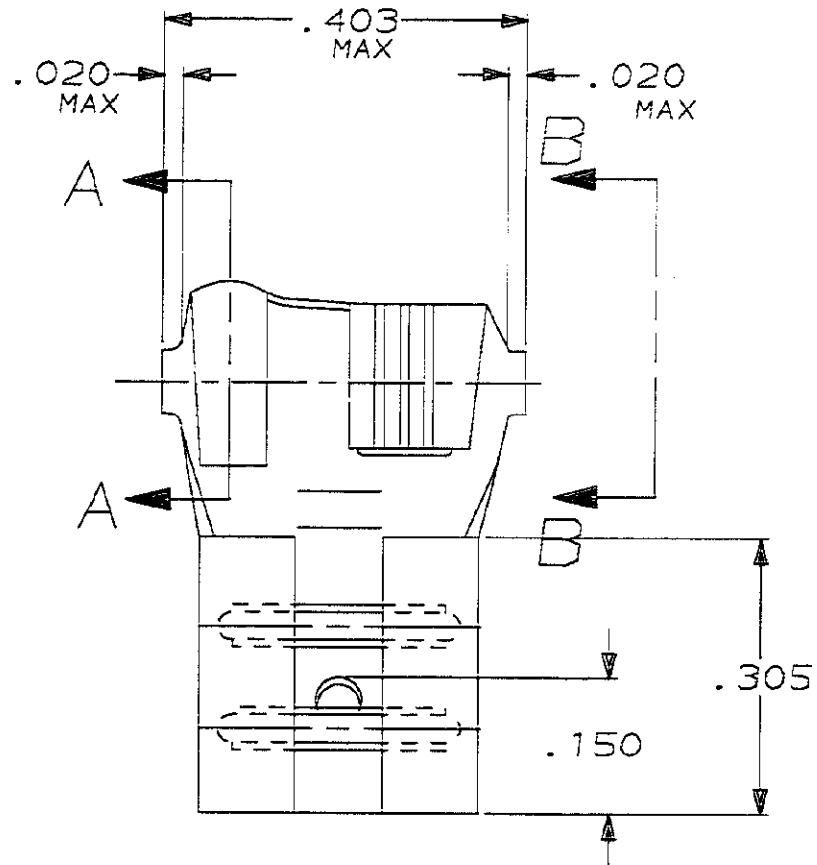
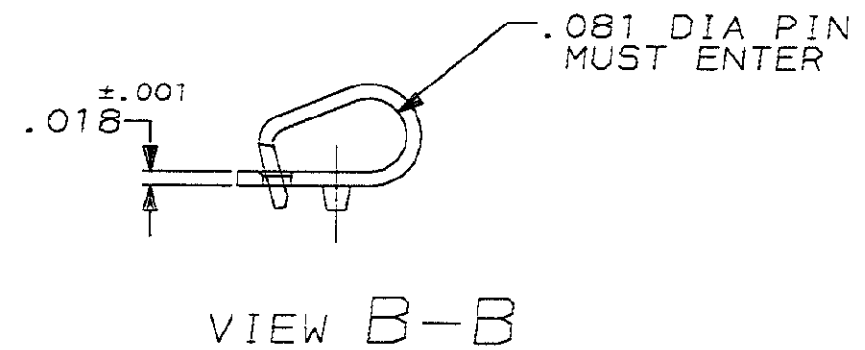


THIS DRAWING IS UNPUBLISHED. RELEASED FOR PUBLICATION .19  
 © COPYRIGHT 19 BY AMP INCORPORATED, HARRISBURG, PA. ALL INTERNATIONAL RIGHTS RESERVED. AMP PRODUCTS MAY BE COVERED BY U.S. AND FOREIGN PATENTS AND/OR PATENTS PENDING.

LOC	DIST	P	F	REVISIONS				
				ZONE	LTR	DESCRIPTION	DATE	APPROVED
AF	50			E		REDRAWN PER 0431-93	11/15/93	



- 1 WIRE AND INSULATION BARRELS TO BE PREFORMED AS SHOWN IN CUT OFF OPERATION.
- 2 SUPPLIED IN LOOSE PIECE.
- 3 FOREIGN PRODUCTION ONLY.



		.110-.210 DIA	#18-#12 AWG	0.81 [0.032]	41897
		INSULATION RANGE	WIRE SIZE	±0.025 [±.001] TAB THK	PART NO
UNLESS OTHERWISE SPECIFIED DIMENSIONS ARE IN MM TOLERANCES ON: 2 PL DEC ± - 3 PL DEC ± .015 ANGLES ± -	DR	11/16/93	JR RUTH	AMP INCORPORATED Harrisburg, Pa. 17105	
	CHK	11/16/93	MS FEHER		
	APPD	11/16/93	P DESANTIS		
MATERIAL	APPD	11/16/93	R REINER	NAME RECEPTACLE, FASTON, <sup>TM</sup> FLAG, .250 SERIES	
TEMP 4M BRASS	PRODUCT SPEC		-	SIZE <b>B</b>	FSCM NO 00779
FINISH -	APPLICATION SPEC		-	DRAWING NO 41897	
	WEIGHT	-	-	SCALE NTS	SHEET 1 OF 1