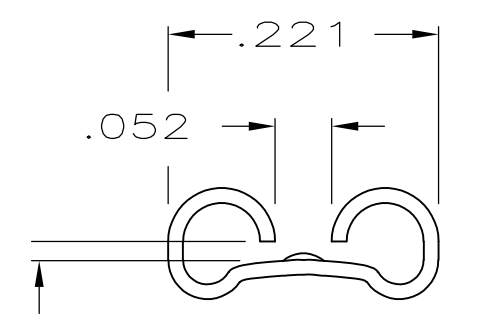
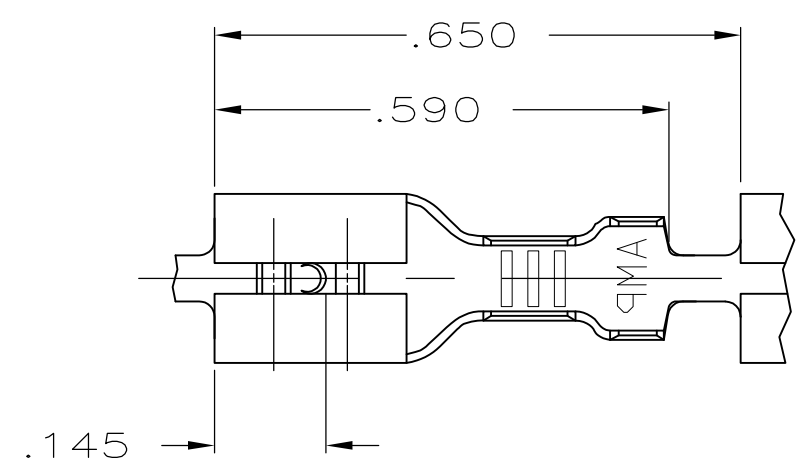


THIS DRAWING IS UNPUBLISHED. RELEASED FOR PUBLICATION
 © COPYRIGHT - By - ALL RIGHTS RESERVED.

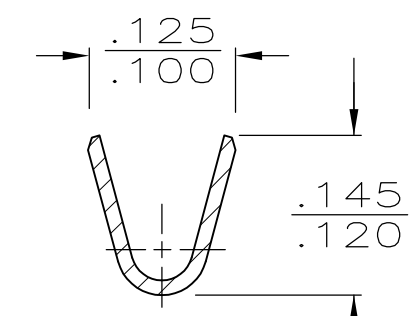
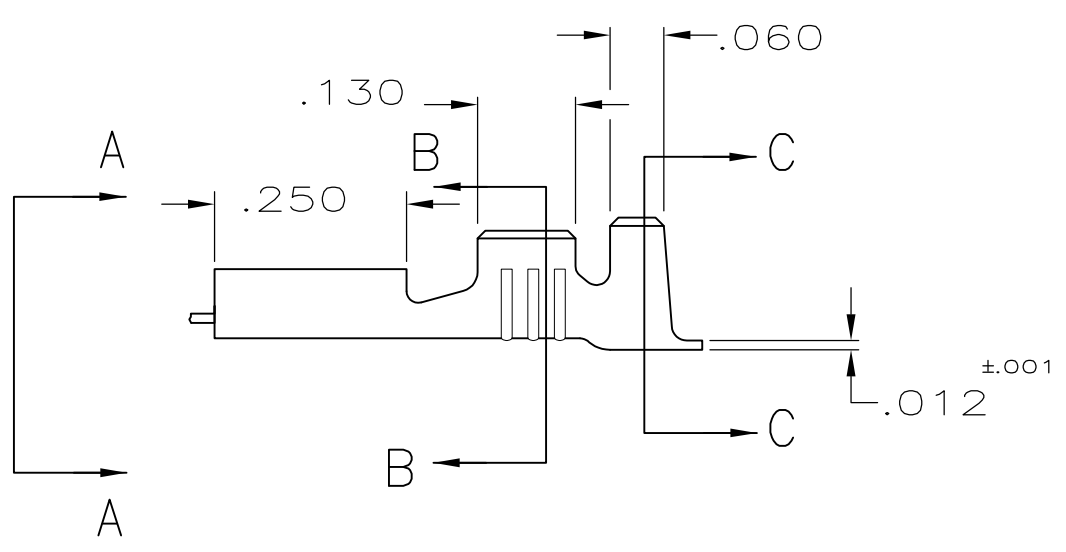
REVISIONS					
P	LTR	DESCRIPTION	DATE	DWN	APVD
	AD3	REVISED PER ECR-17-013210	13SEP2017	DL	TD



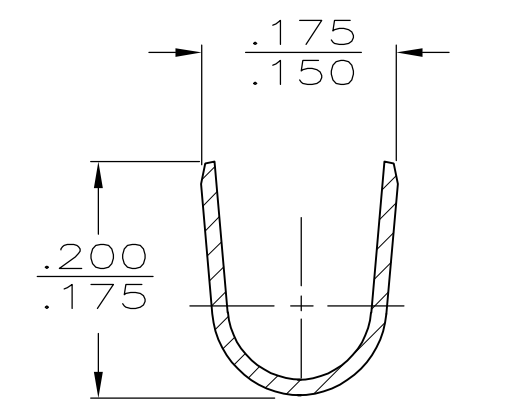
— FITS .187 SERIES FASTON TAB

VIEW A-A

1 CONTINUOUS STRIP ON REELS.



SECTION B-B



SECTION C-C

OBSOLETE	SILVER	#4H PH BRZ	.090-.130	20-16	.015 ±.001	42453-3
	TIN	BRASS	.090-.130	20-16	.015 ±.001	42453-2
OBSOLETE	—	#4H BRASS	.090-.130	20-16	.015 ±.001	42453-1
	FINISH	MATERIAL	INSULATION RANGE	WIRE SIZE	TAB THK.	PART NUMBER

THIS DRAWING IS A CONTROLLED DOCUMENT.		DWN JR RUTH 10/3/86	TE Connectivity .187 SERIES FASTON RECEPTACLE				
DIMENSIONS: INCHES		CHK G YETTER 10/3/86					
TOLERANCES UNLESS OTHERWISE SPECIFIED:		APVD R KUZO 10/27/96					
0 PLC ± - 1 PLC ± - 2 PLC ± - 3 PLC ± .015 4 PLC ± - ANGLES ± -		PRODUCT SPEC —					
MATERIAL SEE ABOVE		FINISH SEE ABOVE	APPLICATION SPEC —	SIZE A3	CAGE CODE 00779	DRAWING NO C-42453	RESTRICTED TO —
CUSTOMER DRAWING			WEIGHT	SCALE NTS	SHEET 1 OF 1	REV AD3	