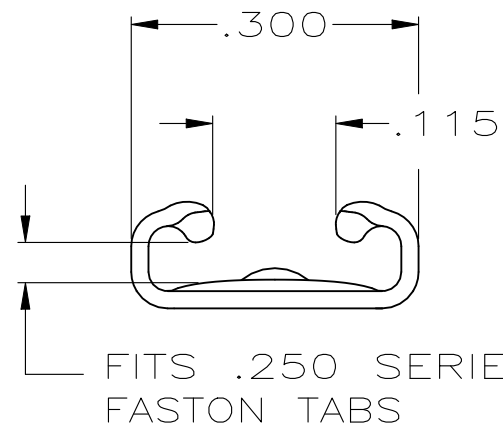
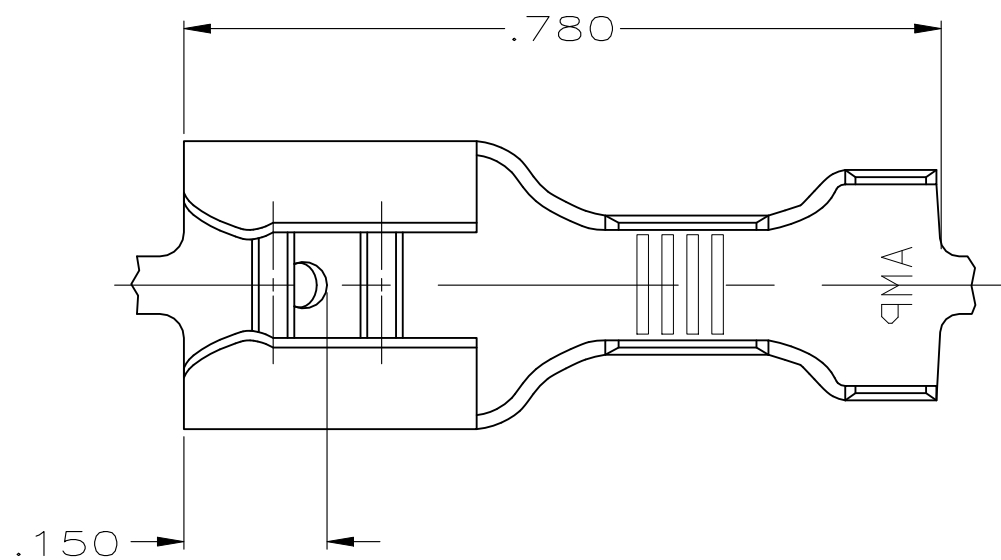
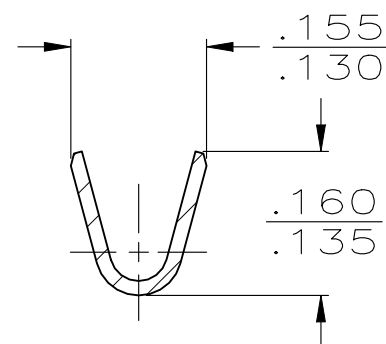
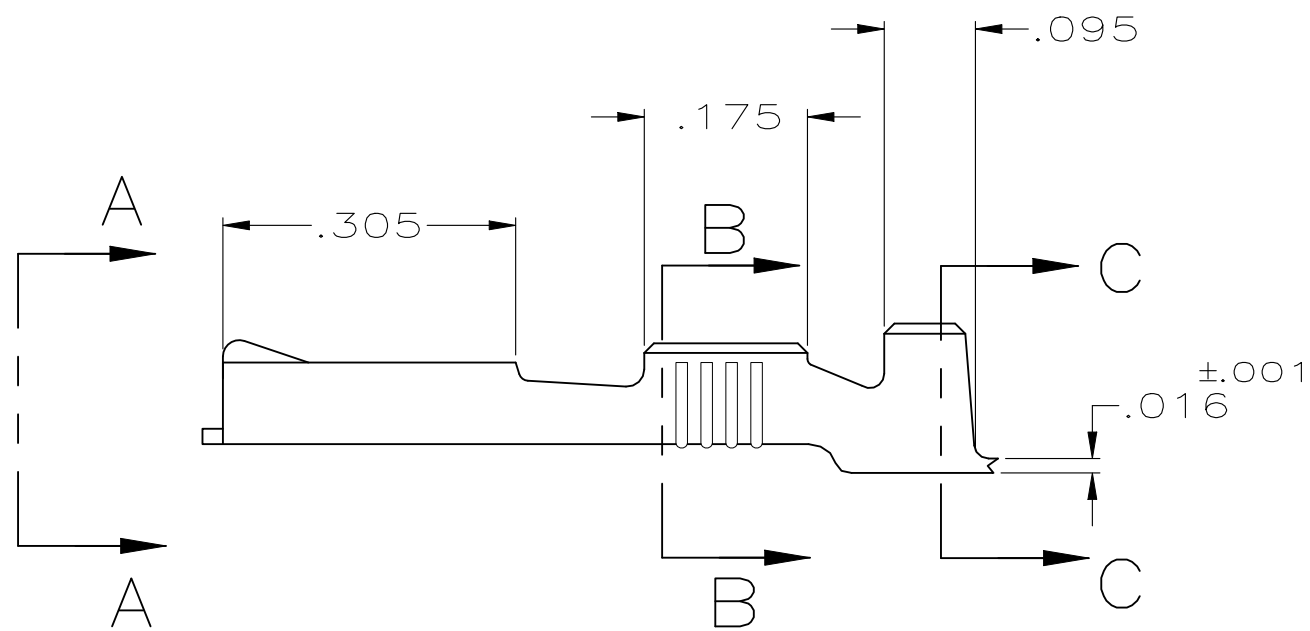


REVISIONS					
P	LTR	DESCRIPTION	DATE	DWN	APVD
G1		REVISED PER ECR-24-209015	08SEP2024	DB	ES

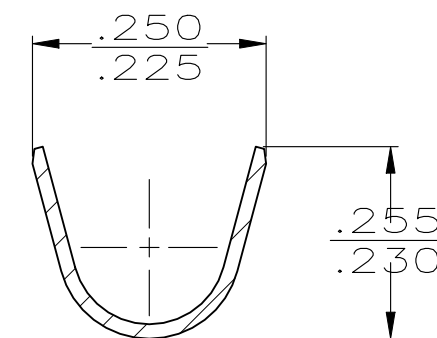
1 CONTINUOUS STRIP ON REELS.



VIEW A-A




SECTION B-B



SECTION C-C

SUPERSEDED BY 42692-2

TIN	.150-.210 DIA	18-14 AWG	.032	42692-2
FINISH	INSULATION RANGE	WIRE SIZE	MATING TAB THK ±.001	42692-1
				PART NUMBER

THIS DRAWING IS A CONTROLLED DOCUMENT.		DWN JR RUTH 4/15/91	 TE Connectivity RECEPTACLE, FASTON, .250 SERIES				
DIMENSIONS: INCHES		CHK MS FEHER 4/15/91				NAME	
TOLERANCES UNLESS OTHERWISE SPECIFIED:		APVD C MEYERS 4/15/91				PRODUCT SPEC	
0 PLC ± - 1 PLC ± - 2 PLC ± - 3 PLC ± .015 4 PLC ± - ANGLES ± -		APPLICATION SPEC				RESTRICTED TO	
MATERIAL BRASS	FINISH SEE TABLE	WEIGHT 0.000000	SIZE A3	CAGE CODE 00779	DRAWING NO C-42692		
CUSTOMER DRAWING			SCALE 5:1	SHEET 1 OF 1	REV G1		