

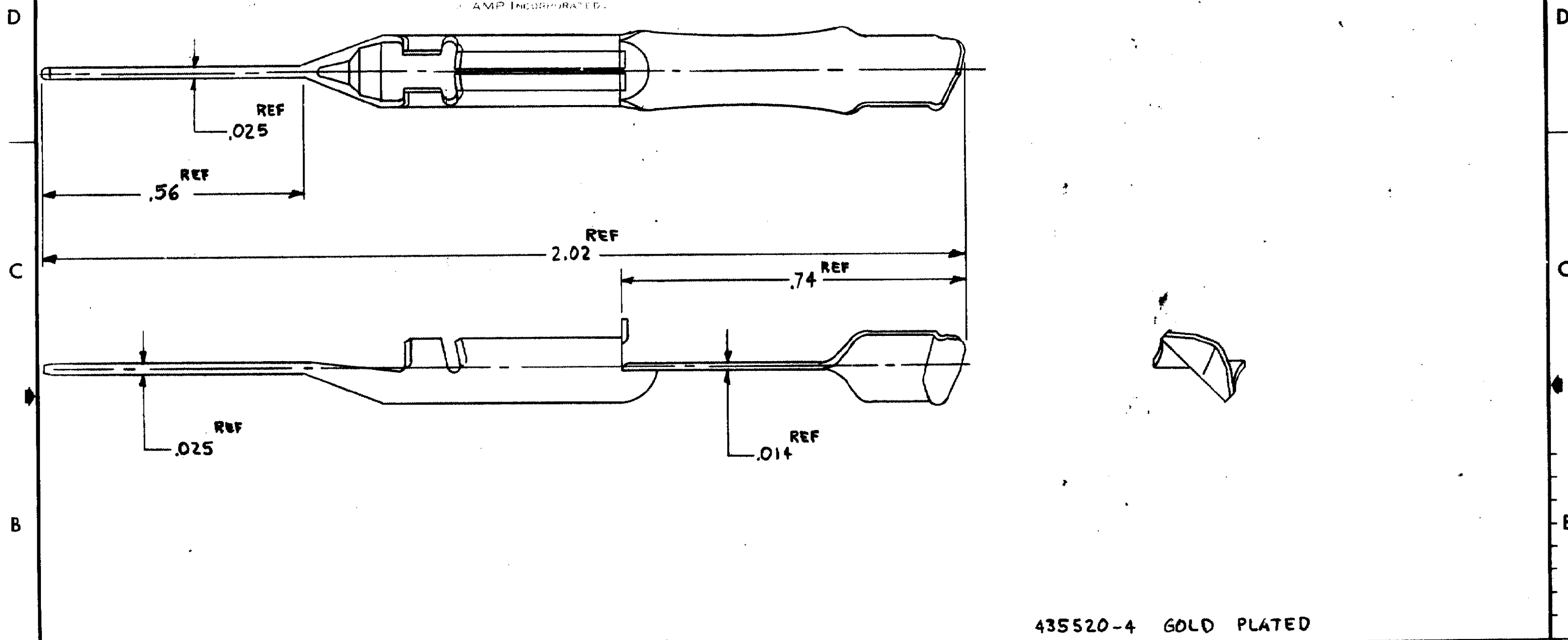
DRAWING MADE IN THIRD ANGLE PROJECTION

LOC	DIST
S	12

© COPYRIGHT 1973 BY AMP INCORPORATED, HARRISBURG, PA.
 ALL INTERNATIONAL RIGHTS RESERVED. AMP INCORPORATED PRODUCTS
 COVERED BY U. S. AND FOREIGN PATENTS AND/OR PATENTS PENDING.

UNLESS OTHERWISE SPECIFIED, THIS DRAWING IS TO BE
 REPRODUCED OR PUBLISHED IN ANY MANNER WITHOUT THE WRITTEN PERMISSION
 OF AMP INCORPORATED.

REVISIONS						
P	R	ZONE	LTR	DESCRIPTION	DATE	APPROVED
✓	✓		0	RELEASED FOR CUST	ECN 75% 11-5-73	CO



435520-4 GOLD PLATED

UNLESS OTHERWISE SPECIFIED DIMENSIONS ARE IN INCHES. TOLERANCES ON: DECIMALS ± .001 ANGLES ± .01		CONTRACT NO		PART NO	
MATERIAL # 4 HARD FINE GRAIN BRASS		DR <i>Carl D. Tolman</i> 11-5-73		AMP INCORPORATED Harrisburg, Pa.	
FINISH		CHK <i>R. Bennett</i> 11-5-73		NAME CONTACT SPRING LEFT HAND WIRE WRAP	
		APP <i>Ray Koppelman</i> 11-5-73		SIZE B	
		DSGN APPD		CODE IDENT NO 00779	
		OTHER APPD		NUMBER 435520	
				SCALE 3:1	
				SHEET	