

C-438001-1

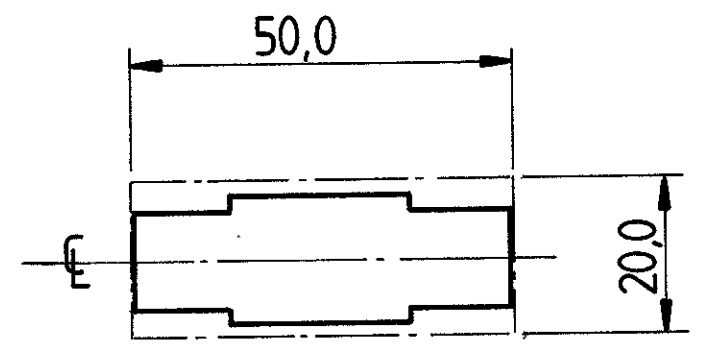
NO

THIS INFORMATION IS CONFIDENTIAL AND IS DISCLOSED TO YOU ON CONDITION THAT NO FURTHER DISCLOSURE IS MADE BY YOU TO OTHER THAN AMP PERSONNEL WITHOUT WRITTEN AUTHORIZATION FROM AMP-HOLLAND B.V.

SHOW PART NR & VENDOR IN AREA MARKED X  
(INCLUDE DASH NR & REVISION LTR)

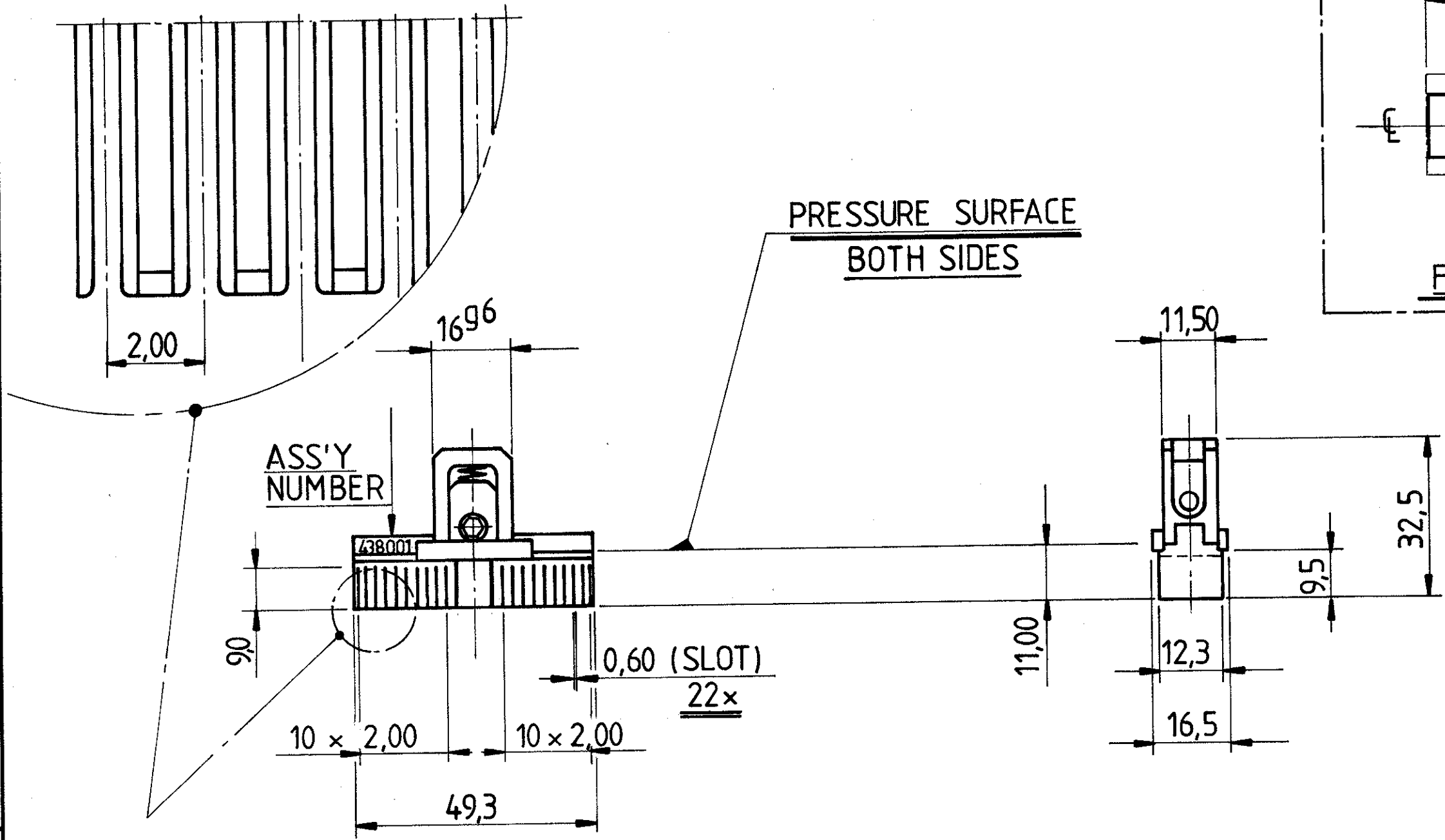
NOT YET RELEASED

USED ON



FREE STATE AREA

PRESSURE SURFACE  
BOTH SIDES



ALL DIMENSIONS FOR REFERENCE ONLY

DWG SIZE	PART NO	DESCRIPTION	ITEM NO
	REVISION OF EACH ASSY NO (WHEN BLANK, USE DWG REVISION)		
QTY REQD PER ASSY		PARTS LIST	

TOLERANCES UNLESS OTHERWISE SPECIFIED.  
REMOVE BURSS.  
ANGLES ± 0°30'

DIMENSIONS IN	
INCHES	MILLIMETRES
±0,00 ±0,02	±0,5
±0,00 ±0,05	±0,2
±0,00 ±0,005	±0,02
±0,00 ±0,005	±0,005

MATERIAL (W. ST. NR.)	HEAT TREAT	FINISH NICK. PLATED
DR. C.V.ZOELLEN	First used	<b>AMP</b>   AMP-HOLLAND B.V. 's-Hertogenbosch, The Netherlands
CHK. VZ 4/1.96		

NAME INSERT- MALE CONN.- TYPE "A" -

SCALE	SHEET OF	LOC H	SIZE A3	NO C-438001-1	REV A00
-------	----------	-------	---------	---------------	---------

LTR	REVISION RECORD	ECN	DATE	LTR	REVISION RECORD	ECN	DATE

4.3.01.2003