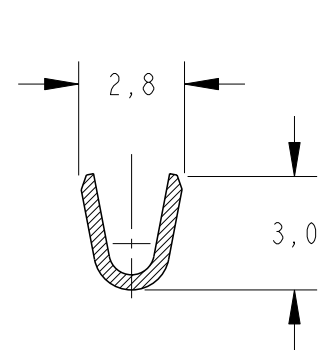
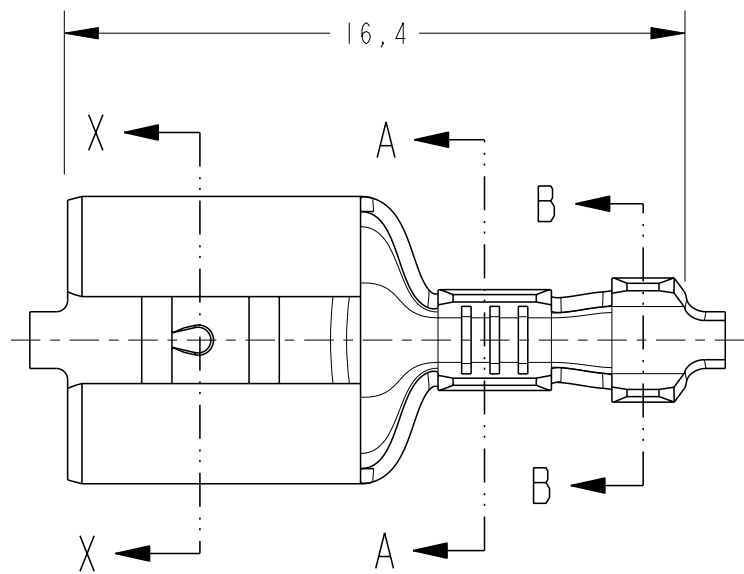
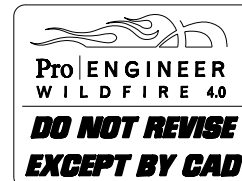


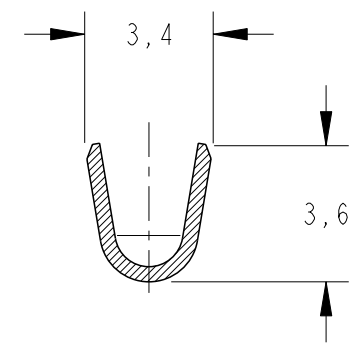
LOC AP DIST -

REVISIONS

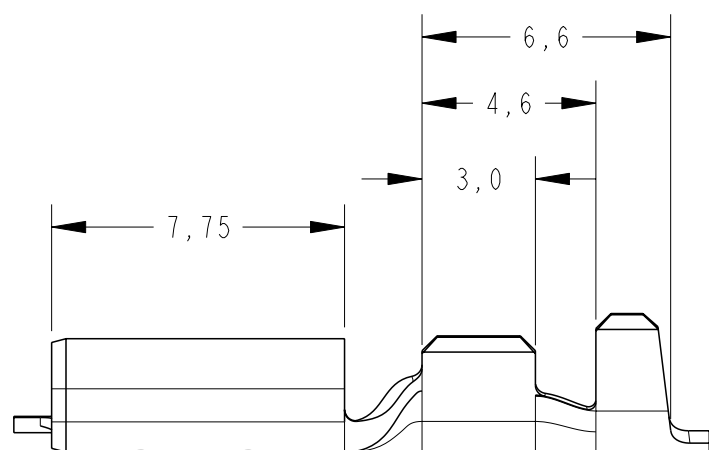
P	LTR	DESCRIPTION	DATE	DWN	APVD
	B2	REDRAW BY CAD	ECO-12-014149	21AUG2012	NCL DAO



SECTION A - A
SCALE 5:1

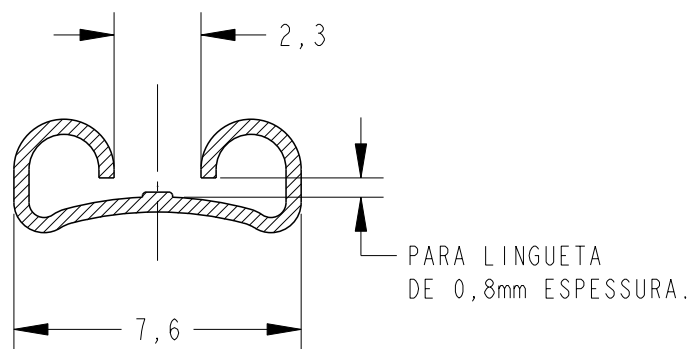
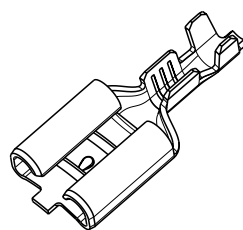


SECTION B - B
SCALE 5:1



△ - BOBINAR COM PAPEL INTERCALADO.
- REELING WITH PAPER INTERLEAVE.

INS. RANGE	WIRE RANGE	FINISH	MATERIAL	PART NUMBER
Ø 1,4-2,0mm	0,5-1,0mm ²			
OBSOLETE		ESTANHADO / TIN PLATED	BRONZE FOSF./PHOS.BRONZE	△ 444156 -5
		ESTANHADO / TIN PLATED	LATÃO / BRASS	444156 -4
OBSOLETE			LATÃO / BRASS	444156 -3
		ESTANHADO / TIN PLATED	BRONZE FOSF./PHOS.BRONZE	444156 -2
OBSOLETE			BRONZE FOSF./PHOS.BRONZE	444156 -1



SECTION X - X
SCALE 5:1

PERSPECTIVE VIEW
SCALE 2:1

THIS DRAWING IS A CONTROLLED DOCUMENT.

DWN NCLAPRESA 11 JUL 2012	TE Connectivity TERMINAL FASTON .250 RECEPT	
CHK JRGOLDSCHMIDT 11 JUL 2012		
APVD DAOLIVEIRA 11 JUL 2012		
PRODUCT SPEC		
DIMENSIONS: mm	TOLERANCES UNLESS OTHERWISE SPECIFIED:	NAME
0 PLC ±	1 PLC ±0,3	-
2 PLC ±	3 PLC ±	APPLICATION SPEC
4 PLC ±	ANGLES ±1°	-
MATERIAL SEE TABLE	FINISH SEE TABLE	WEIGHT -
CUSTOMER DRAWING		SIZE A3
		CAGE CODE 00779
		DRAWING NO. C-444156
		RESTRICTED TO -
		SCALE 5:1
		SHEET 1 OF 1
		REV B2