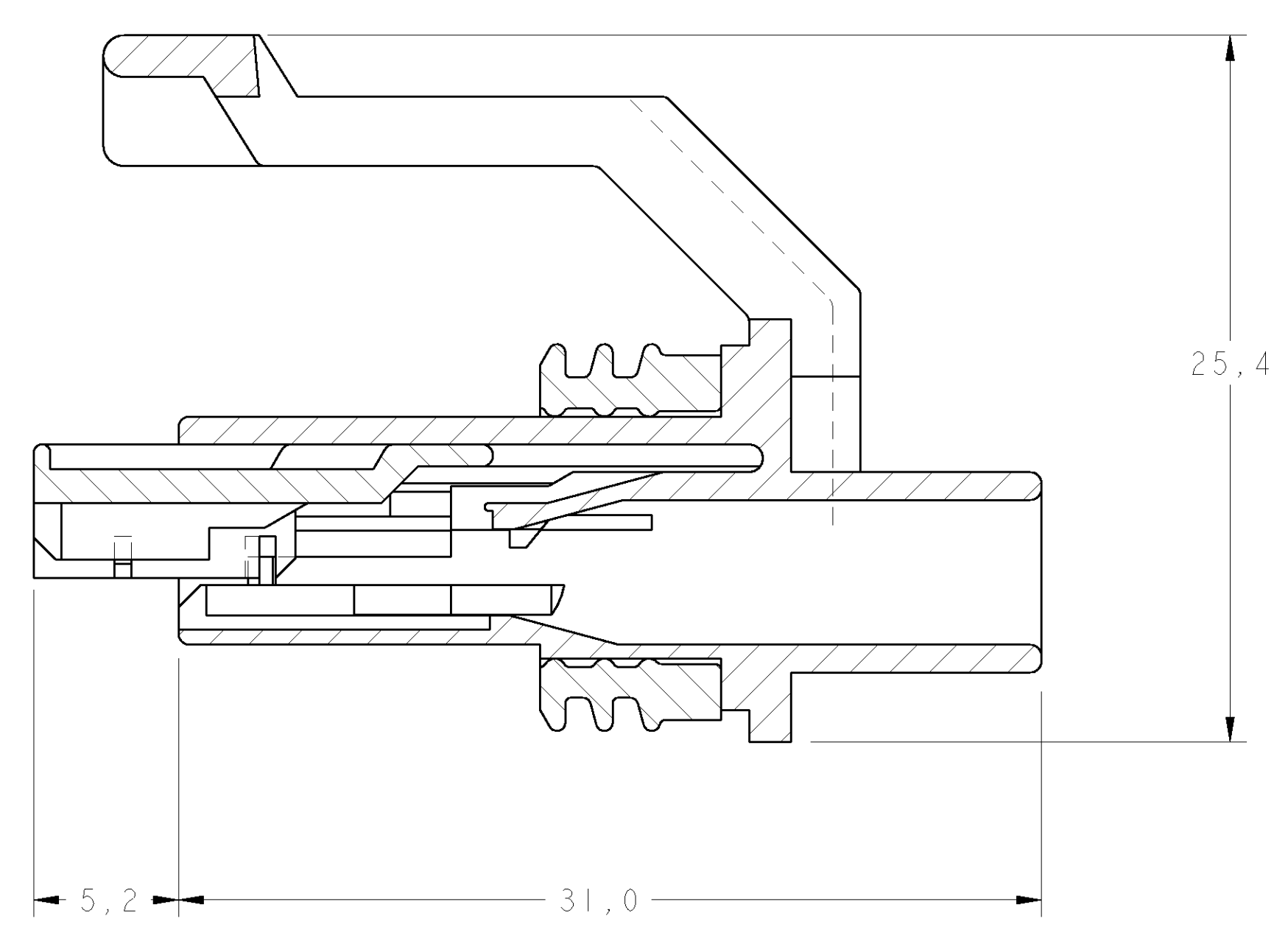
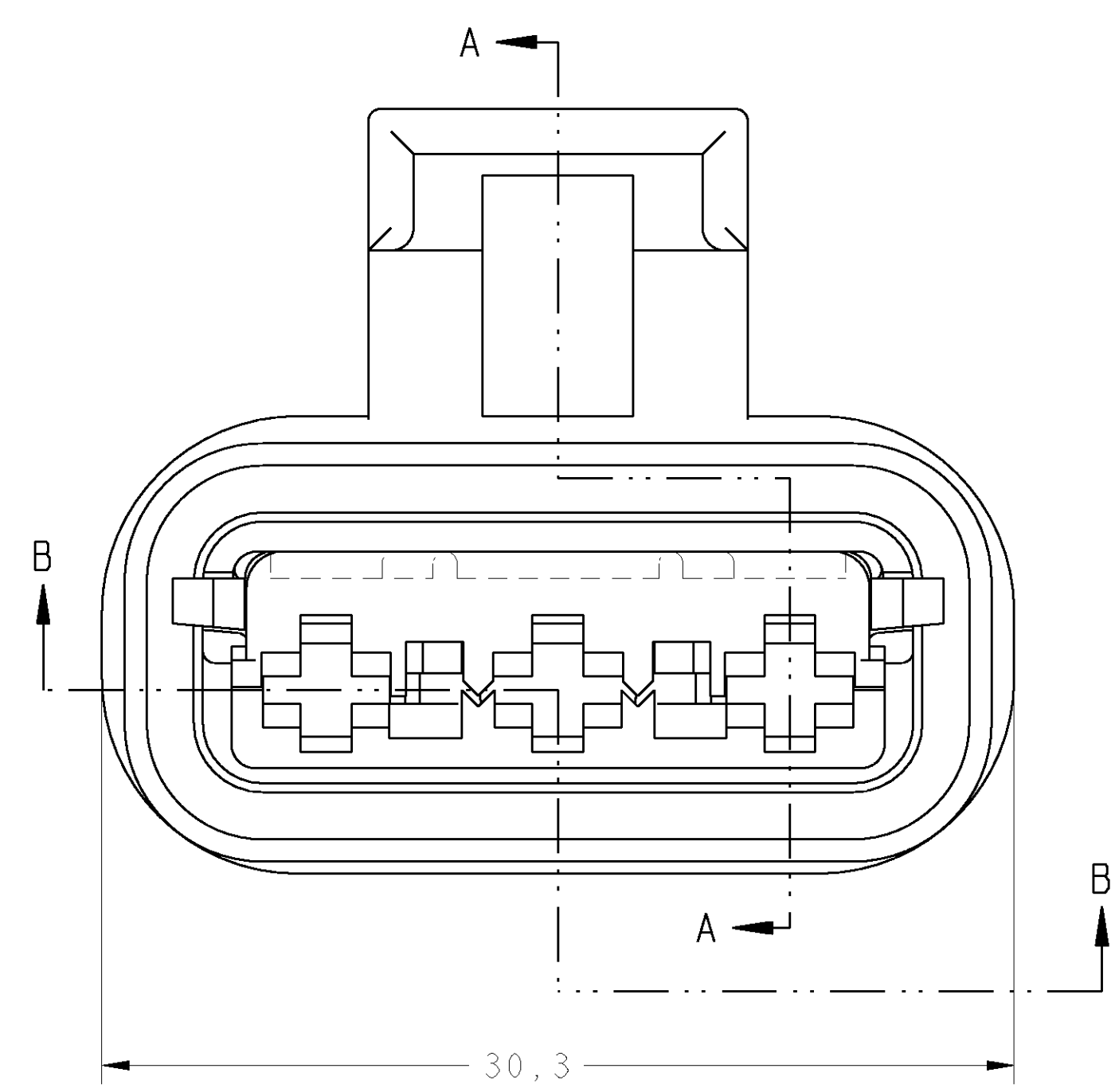
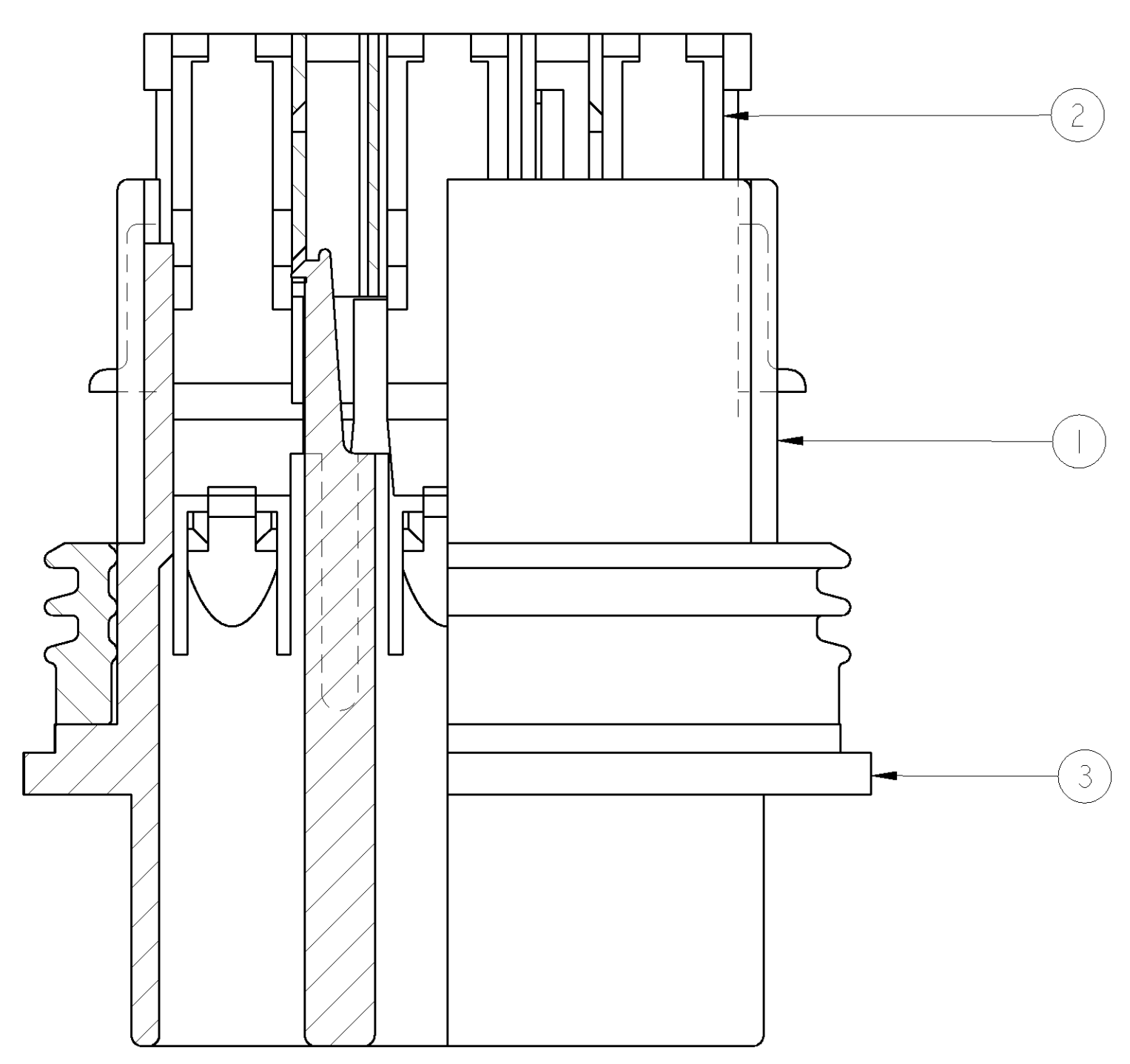


LOC		DIST		REVISIONS			
AP		-		DESCRIPTION	DATE	DWN	APVD
		C		REDRAW BY CAD BY LE10.0436/04	14DEC2004	MTO	PLF



SECTION A-A



SECTION B-B

GRAVAÇÕES
MARCA REGISTRADA AMP
TRADEMARK AMP
CÓDIGO PAÍS PRODUTOR
MANUFACTURER COUNTRY CODE
NÚMERO COMPONENTE AMP
AMP COMPONENT NUMBER
NÚMERO CAVIDADE
CAVITY NUMBER
IDENTIFICAÇÃO CIRCUITO
CIRCUIT IDENTIFICATION
PAÍS PRODUTOR
MANUFACTURER COUNTRY

I - CONTRA-PEÇA No. 444252  
 -MATING PART

REQ. PER ASSY	ITEM	DESCRIPTION	MATERIAL	FINISH
444248	1	3 SEAL, 3 POSN.	SILICONE	VERMELHO - RED
	2	SPACER, 3 POSN., JR. P.T. RCPT.	P.A. 6.6	AMARELO - YELLOW
	1	HOUSING, 3 POSN., JR. P.T. RCPT	P.A. 6.6	PRETO - BLACK

DIMENSIONS: mm 		TOLERANCES UNLESS OTHERWISE SPECIFIED: 0 PLC ± 1 PLC ±0.3 2 PLC ± 3 PLC ± 4 PLC ± ANGLES ±1		DWN: MTONISHI 14DEC2004 CHK: PLEARIAS 14DEC2004 APVD: EGOLIVEIRA 14DEC2004		<b>tyco</b> <b>Electronics</b> TYCO ELECTRONICS do Brasil LTDA. Sao Paulo, Brasil	
MATERIAL: SEE TABLE FINISH: SEE TABLE		WEIGHT: - CUSTOMER DRAWING		NAME: HOUSING ASSY., 3 POSN., JUNIOR POWER TIMER, RCPT SIZE: CAGE CODE DRAWING NO: A1 00779 C=444248 RESTRICTED TO: -		SCALE: 5:1 SHEET 1 OF 1 REV C	