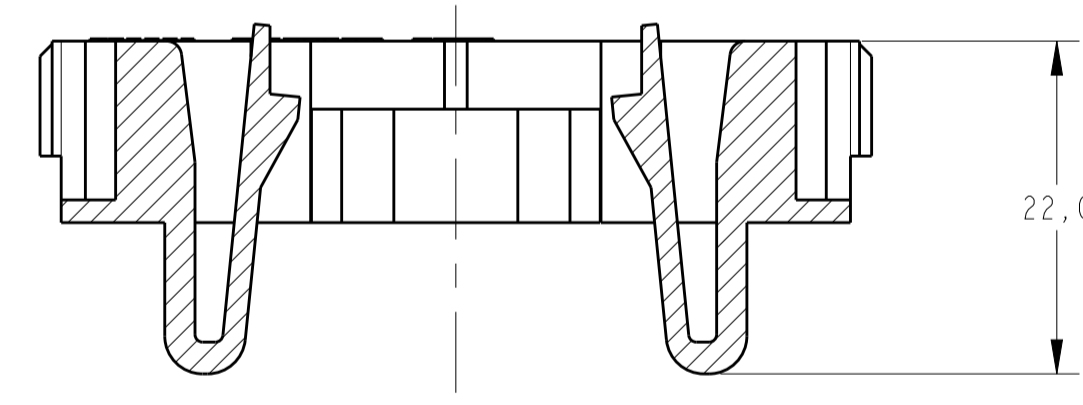
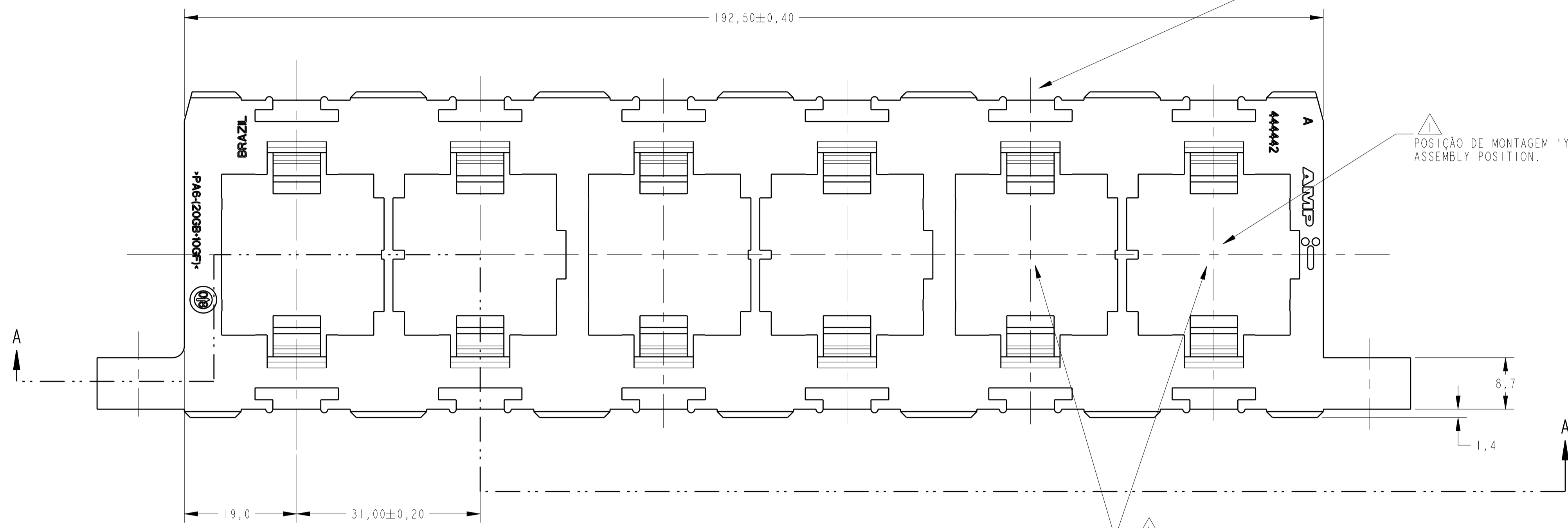
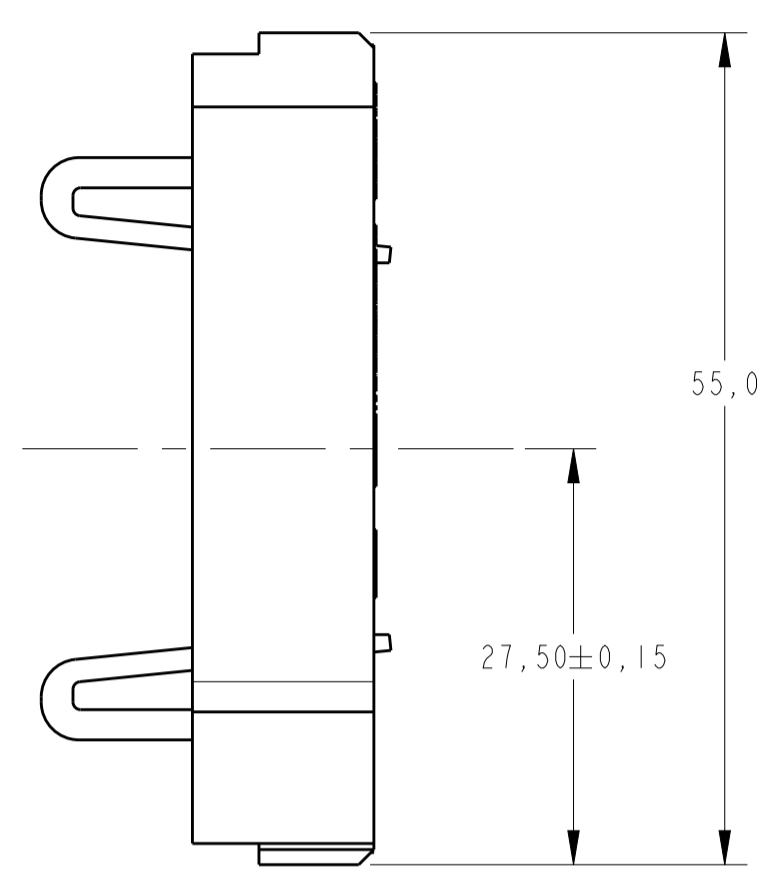
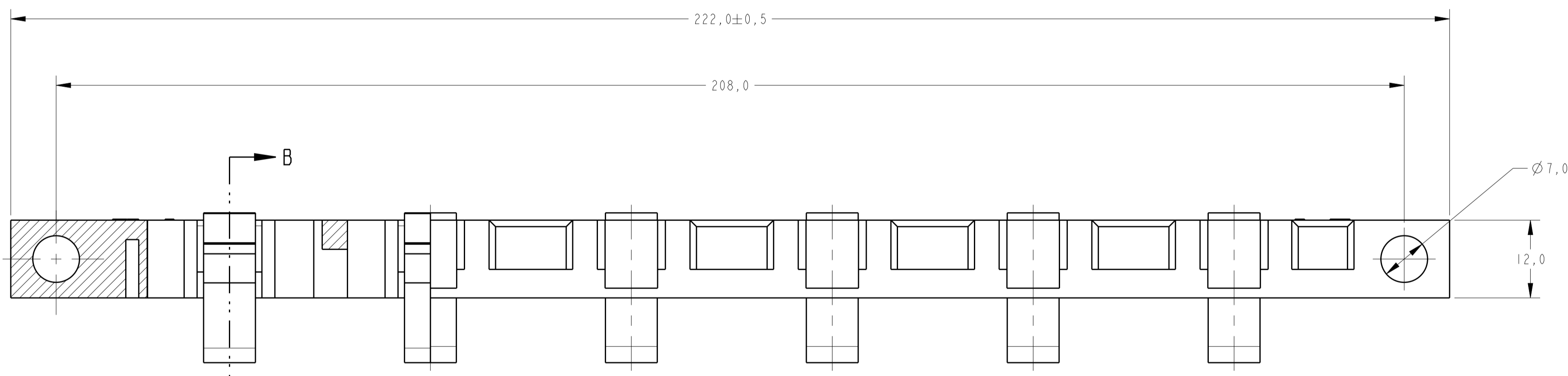


LOC	DIST	REVISIONS					
AP	-	P.	LTH	DESCRIPTION	DATE	DWN	APVD
		E2		CHANGE STATUS	ECO-14-017499	20NOV2014	NCL GOJ

creo
Creo Parametric 2.0
DO NOT REUSE
EXCEPT BY CAD



SECTION B-B



SECTION A-A

GRAVAÇÃO MARKING	
LOGOTIPO AMP	AMP LOGO
NÚMERO COMPONENTE TE	TE COMPONENT NUMBER
PAÍS PRODUTOR	MANUFACTURER COUNTRY
CÓDIGO DO PAÍS PRODUTOR	MANUFACTURER COUNTRY CODE
NÚMERO CAVIDADE	CAVITY NUMBER
DATADOR	DATE CODE

CONECTORES QUE PODEM SER MONTADOS. CONNECTORS THAT CAN BE USED.

DES. NÚMERO DWG NO.	DESCRIÇÃO DESCRIPTION	POSIÇÃO DE MONTAGEM ASSEMBLY POSITION
444314	RELAY HOUSING	X
444313	RELAY HOUSING	Y
444309	POWER/GROUND HSG.	X
444311	DIODE HOUSING	Z
444312	FUSE HOUSING	Z

PRETO / BLACK	PA6-(20GB+10GF)	444442 - 2
PRETO / BLACK	P.A 6.6+30%F.V.(G.F.)	444442 - 1
FINISH	MATERIAL	PART NUMBER

THIS DRAWING IS A CONTROLLED DOCUMENT.

DIMENSIONS:	TOLERANCES UNLESS OTHERWISE SPECIFIED:	DWN: M. R. BRIZ 23MAY00	NAME: -
mm	0 PLC ±	CHK: P. L. FARIA 23MAY00	PRODUCT SPEC: -
	1 PLC ±0,3	APVD: J. M. M. NETO 23MAY00	APPLICATION SPEC: -
	2 PLC ±		SIZE: A1
	3 PLC ±		CAGE CODE: 00779
	4 PLC ±		DRAWING NO: 444442
	ANGLES ±		RESTRICTED TO: -
	FINISH ±		WEIGHT: -
MATERIAL: -			Customer Drawing

TE Connectivity

RELAY ADAPTOR, 6 POSN.

SCALE: 2:1 SHEET 1 OF 1 REV: E2