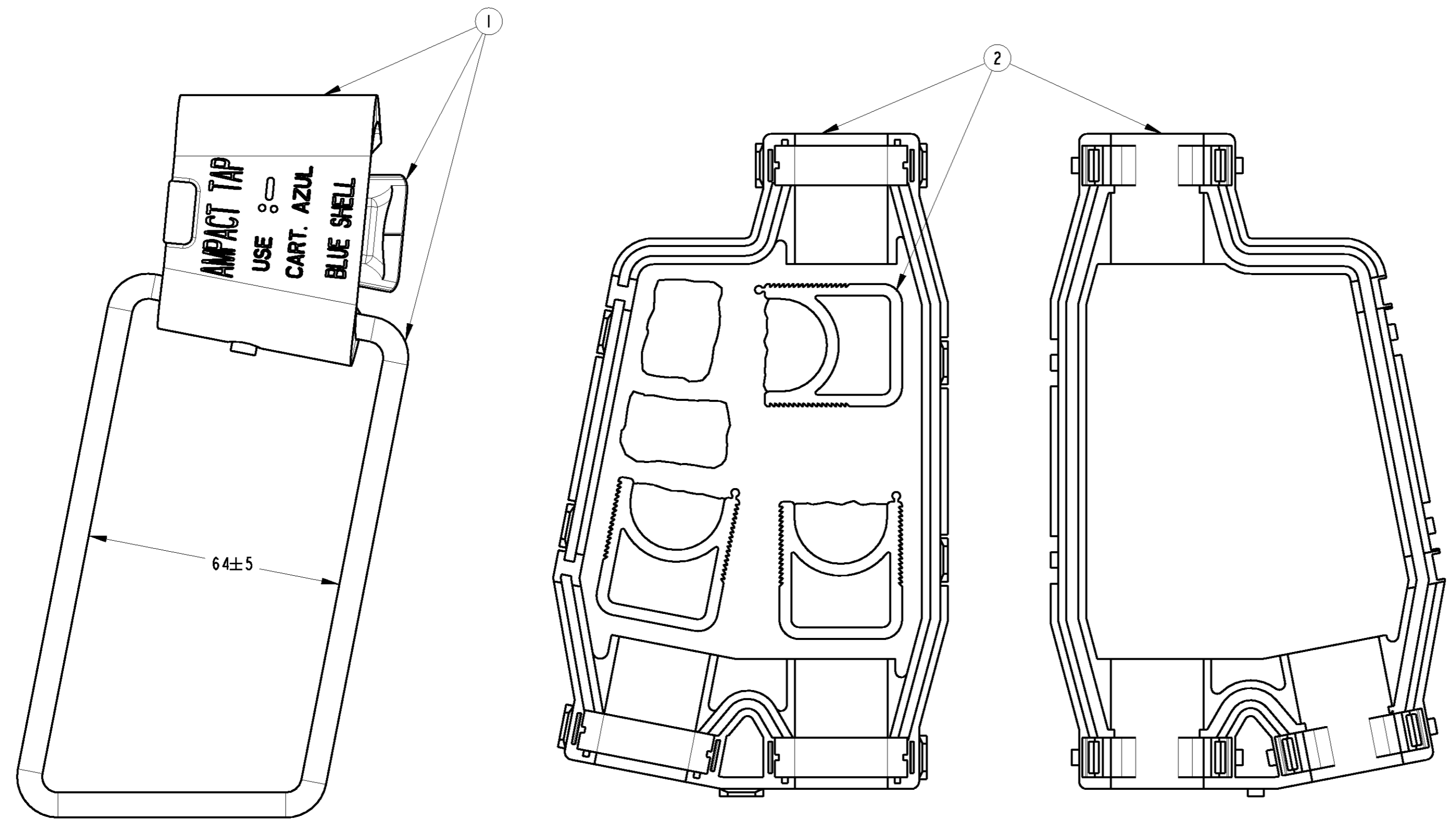
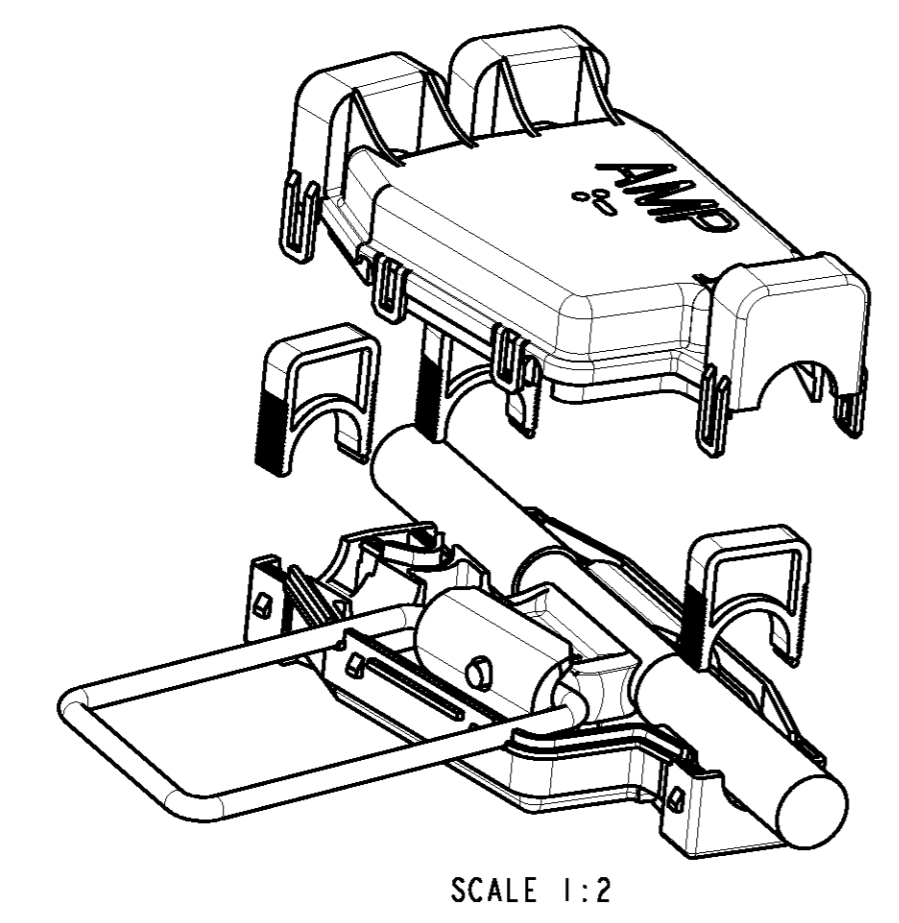


LOC	DIST	REVISIONS					
AP	-	P	LTR	DESCRIPTION	DATE	DWN	APVD
		D		REVISED BY EC LE10-0149/04	12AUG2004	GO	WB
		E		REVISED BY ECO-06-002480	11JAN2006	GO	WB



- 1 - EACH ITEM IN SPECIFIC PLASTIC BAG AND PLACED INTO A CARDBOARD BOX.
- 2 - MATERIAL:
IMPACT CONNECTOR = ALUMINUM ALLOY
STIRRUP = COPPER
- 3 - FINISH:
IMPACT CONNECTOR = UNPLATED
STIRRUP = TIN
- 4 - INSTRUCTION SHEET REDUCED FROM 411-37023-1.

- 1 - CADA ITEM EM SACO PLÁSTICO ESPECÍFICO DENTRO DE UMA CAIXA DE PAPELÃO.
- 2 - MATERIAL:
CONECTOR AMPACT = LIGA DE ALUMÍNIO
ESTRIBO = COBRE
- 3 - ACABAMENTO:
CONECTOR AMPACT = SEM BANHO
ESTRIBO = ESTANHO
- 4 - FOLHA DE INSTRUÇÃO REDUZIDA DA 411-37023-1.



OBSOLETE

REQ. PER ASS'Y	ASS'Y ITEM	DESCRIPTION	FINISH	MATERIAL	PART NUMBER
1	1	INSTRUCTION SHEET REDUCED			1-880902-3
1	2	PROTECTIVE COVER FOR STIRRUP	BLACK	POLYPROPYLENE	444749-2 4
-	-	IMPACT STIRRUP ASS'Y	3	2	444749-4
1	-	IMPACT STIRRUP ASS'Y	3	2	444749-3
-	1	IMPACT STIRRUP ASS'Y	3	2	444749-2
-	-	IMPACT STIRRUP ASS'Y	3	2	444749-1

444754		<small>THIS DRAWING IS A CONTROLLED DOCUMENT FOR AMP INCORPORATED. IT IS SUBJECT TO CHANGE AND THE CONTROLLING ENGINEERING ORGANIZATION SHOULD BE CONTACTED FOR THE LATEST REVISION.</small> DWN: W. BELLINI JR. 28MAR96 CHR: J.A.LA SALVIA APVD: E.A. SEEIR		AMP AMP do Brasil Ltda. São Paulo - Brasil	
DIMENSIONS: mm TOLERANCES UNLESS OTHERWISE SPECIFIED: 0 PLC ± 1 PLC ± 2 PLC ± 3 PLC ± 4 PLC ± ANGLES ± FINISH SEE TABLE		PRODUCT SPEC: - APPLICATION SPEC: - WEIGHT: -		NAME: STIRRUP CONNECTION, LARGE SIZE: A2 CAGE CODE: 00779 DRAWING NO: 444754	
MATERIAL: SEE TABLE		FINISH: SEE TABLE		CUSTOMER DRAWING	