

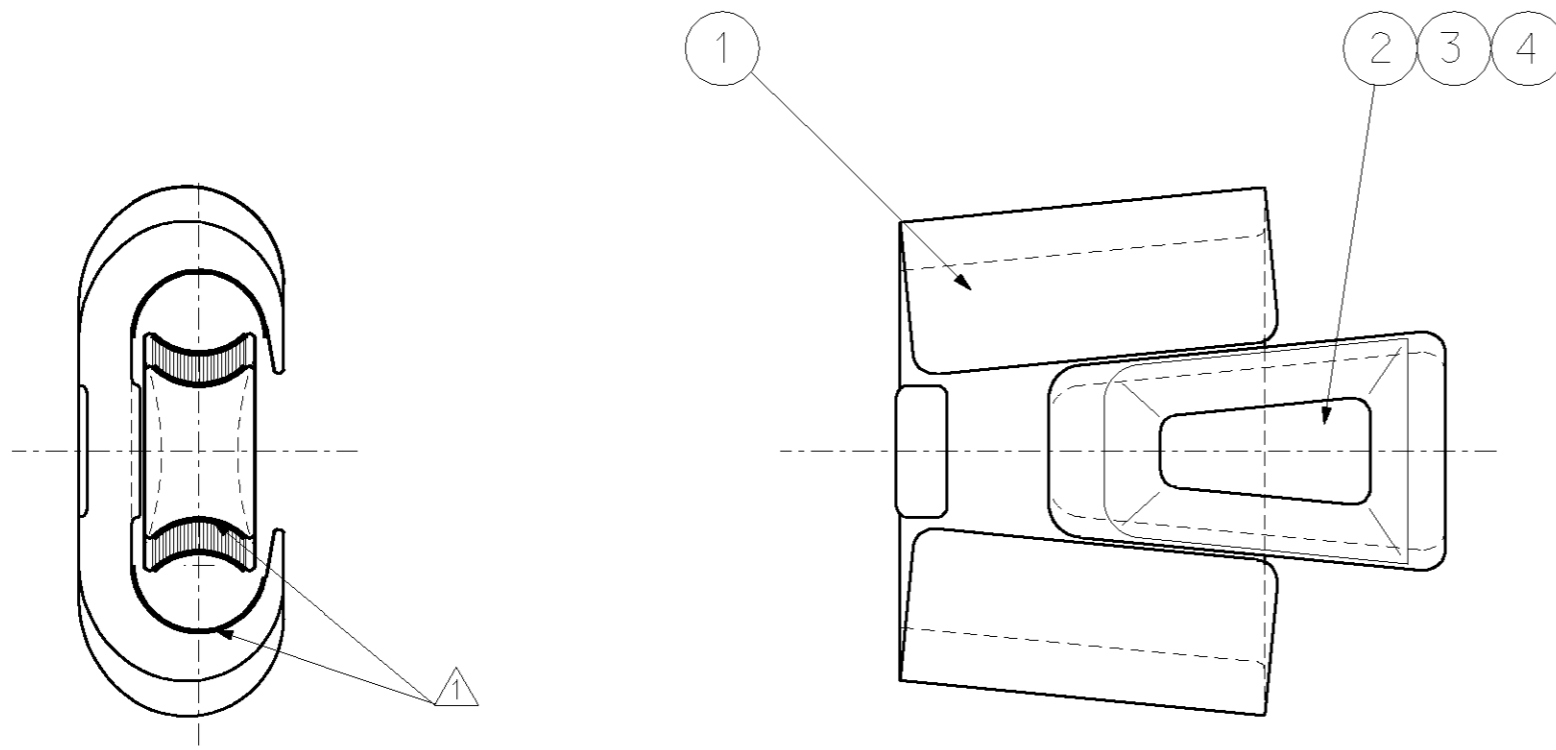
P	LTR	DESCRIPTION	DATE	DWN	APVD
B		REVISED BY EC LB00 0133/02	28JAN03	V.F	WB

D

C

B

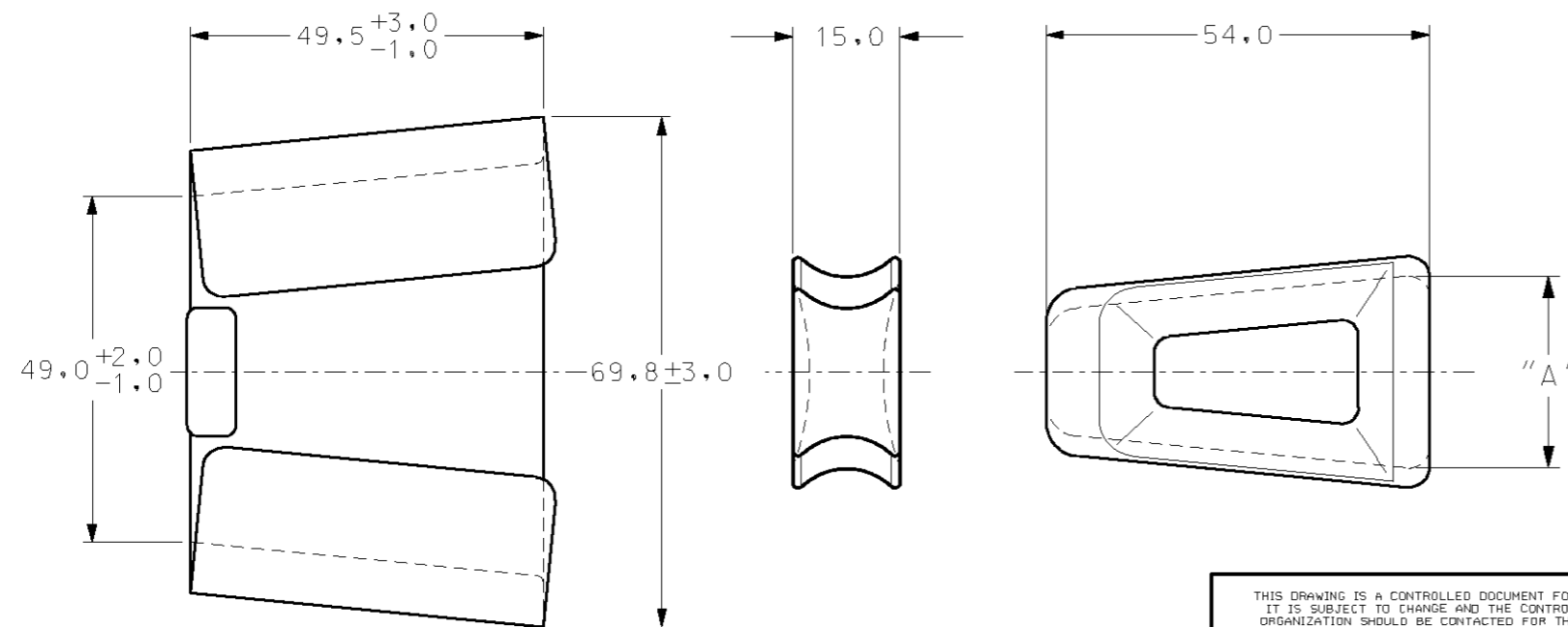
A



- △ SYNTHETIC INHIBITOR IN BOTH SIDES "C" MEMBER AND WEDGE MEMBER
- △ INIBIDOR SINTETICO EM AMBOS OS LADOS DO COMPONENTE "C" E DO COMPONENTE CUNHA.

2- APPLICABLE CABLE RANGE
2- FAIXA APLICAVEL DE CABOS

SUM OF DIA.		THROUGH WIRE		TAP WIRE		MAJOR COMBINATIONS	PART NUMBER
MAX.	MIN.	MAX.	MIN.	MAX.	MIN.		
37.00	32.50	18.50	16.30	18.50	15.00	240mm ² COMP. X 240mm ² COMP. 240mm ² COMP. X 185mm ² 240mm ² COMP. X 150mm ² 336.4MCM X 336.4MCM (CAA)	444762-1
33.10	29.00	18.50	16.30	14.60	12.70	240mm ² COMP. X 120mm ²	444762-2
29.30	25.80	18.50	16.30	10.80	9.50	240mm ² COMP. X 70mm ²	444762-3



1	-	-	33.7	AMPACT WEDGE	ALUMINUM	4
-	1	-	30.6	AMPACT WEDGE	ALUMINUM	3
-	-	1	26.9	AMPACT WEDGE	ALUMINUM	2
1	1	1	—	AMPACT "C" MEMBER	ALUMINUM	1
-3	-2	-1	"A"	DESCRIPTION	MATERIAL	ITEM
REQ. PER ASS'Y						

THIS DRAWING IS A CONTROLLED DOCUMENT FOR AMP INCORPORATED. IT IS SUBJECT TO CHANGE AND THE CONTROLLING ENGINEERING ORGANIZATION SHOULD BE CONTACTED FOR THE LATEST REVISION.		DWN V.FUZZETTI 17/APR/96 CHK J.A.LA SALVIA APVD E. SFEIR PRODUCT SPEC APPLICATION SPEC WEIGHT	AMP AMP do BRASIL LTDA. Sao Paulo, Brasil	
DIMENSIONS: mm 	TOLERANCES UNLESS OTHERWISE SPECIFIED: Ø PLC ± — 1 PLC ± 1.0 2 PLC ± — 3 PLC ± — 4 PLC ± — ANGLES ± — FINISH	NAME: AMPACT BLUE III ASS'Y SIZE: A300779 CAGE CODE: C DRAWING NO: 444762		
MATERIAL: SEE TABLE		CUSTOMER DRAWING SCALE: SHEET 1 OF 1 REV B		