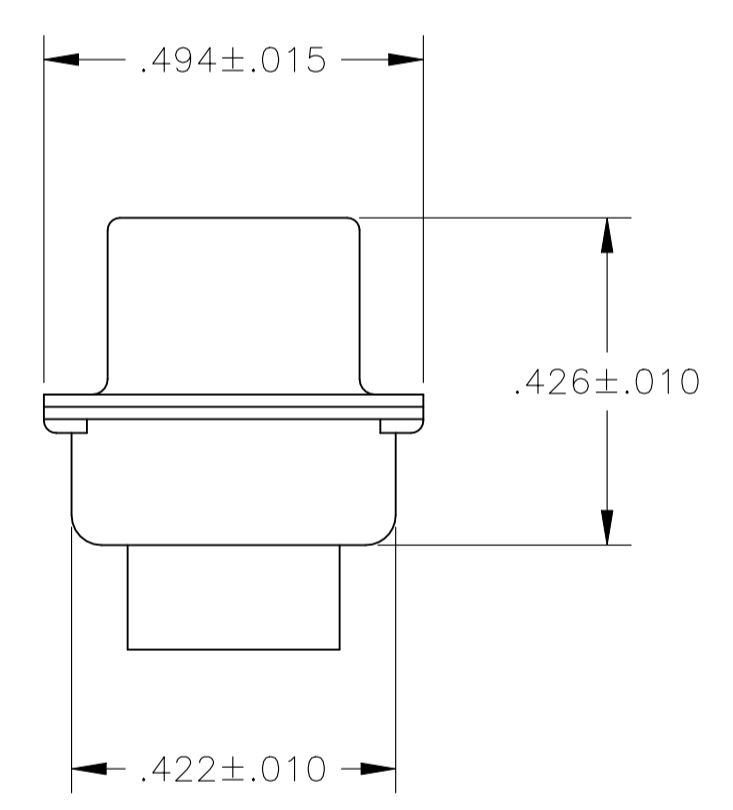
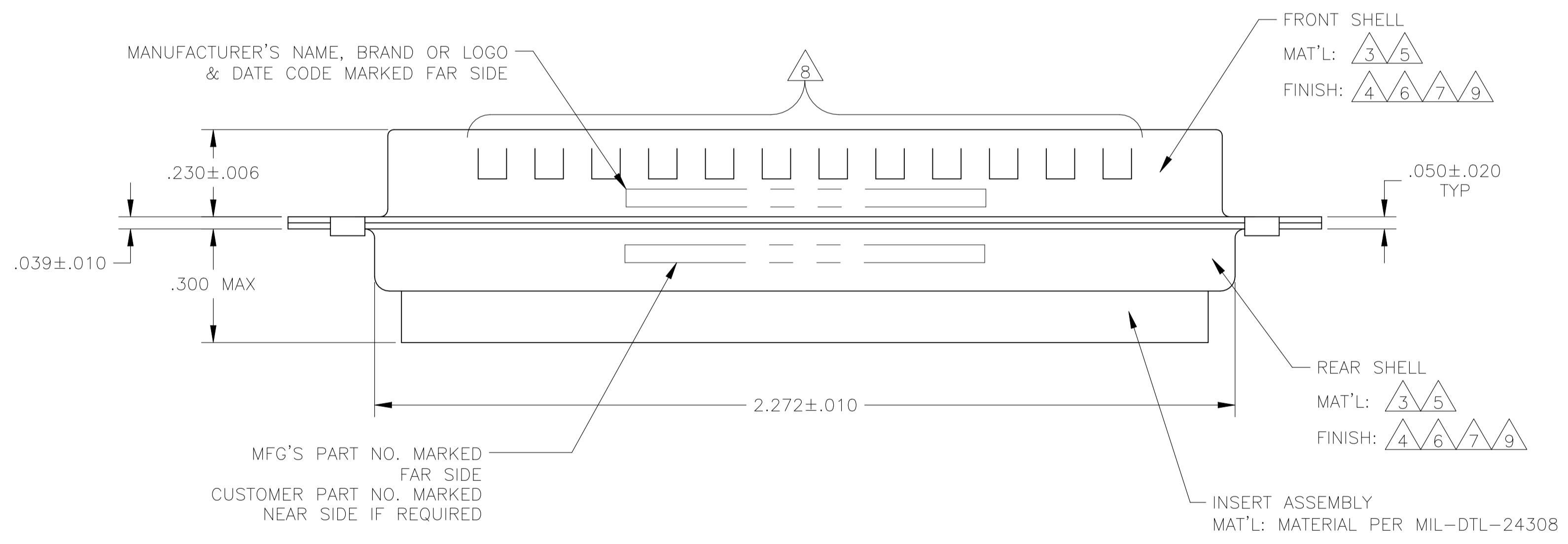
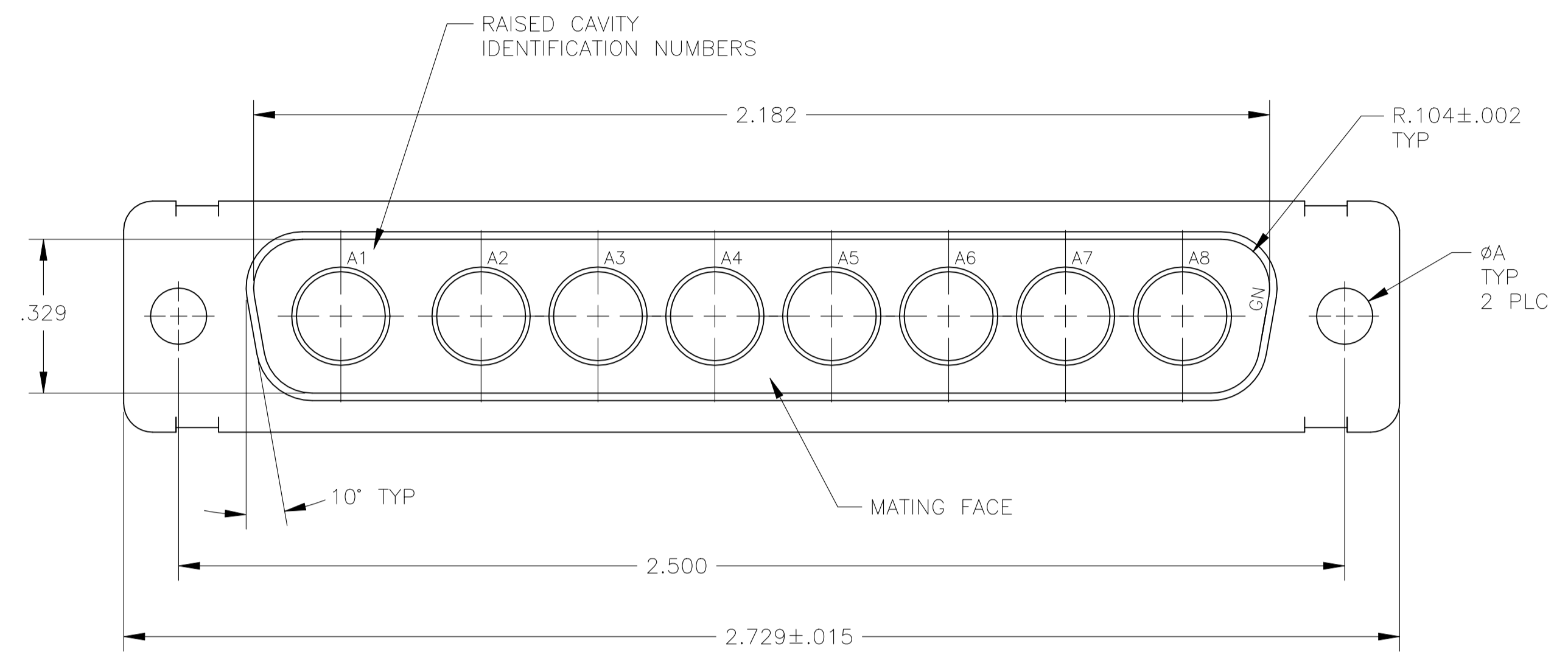


REVISIONS				
P	LTR	DESCRIPTION	DATE	APP'D
T		REVISED PER ECN-24-271184	18JUN2024	PE DS

- THIS PLUG WILL MATE WITH ANY 8C8, SIZE 4 RECEPTACLE IN AMPLIMITE SERIES.
- USE (8) SIZE 8 POWER, OR COAX PIN CONTACTS. CONSULT PRODUCT ENGINEERING FOR MORE DETAILS.
- STEEL PER ASTM-A-109.
- CADMIUM PLATED PER QQ-P-416, TYPE II, CLASS 2.
- BRASS PER ASTM-B-36 AND MIL-C-50.
- FINISH: PLATED GOLD PER ASTM-B-488, TYPE 3, CODE C, CLASS 1.25 OVER COPPER PLATE PER MIL-C-14550, CLASS IV.
- FINISH: TIN PER ASTM-B-545 .000400 MIN THK OVER COPPER PER AMS2418 .000050 MIN THK.
- GROUNDING INDENTS FOR 446405-4 & 5-446405-4 ONLY.
- FINISH: ZINC PLATE PER ASTM-B-633 .000200-.000400 THK WITH SUPPLEMENTARY CHROMATE (Cr3+).



REMARKS	CUSTOMER PART NO.	ØA	DESCRIPTION	PART NO.
			MIL-C-24308 EQUIVALENT	5-446405-4
			-	5-446405-1
446405-6 OBSOLETE	ST81D284-001	.120	-	446405-6
	B010942-0041	.120	-	446405-5
446405-4 OBSOLETE	97942-645A935H02	.120	-	446405-4
446405-3 OBSOLETE	311P405-15P-B-15	.154	NON-MAGNETIC NASA QUALIFIED	446405-3
446405-2 OBSOLETE	311P405-15P-B-12	.120	NON-MAGNETIC NASA QUALIFIED	446405-2
		.120	MIL-C-24308 EQUIVALENT	446405-1

WARNING - THIS DOCUMENT CONTAINS TECHNOLOGY WHOSE EXPORT IS RESTRICTED BY THE EXPORT ADMINISTRATION REGULATIONS ("EAR") PURSUANT TO 15 C.F.R. PARTS 730-774. VIOLATIONS OF THE EAR ARE SUBJECT TO SEVERE CRIMINAL PENALTIES UNDER THE EXPORT CONTROL REFORM ACT, AS AMENDED (TITLE 50, U.S.C., SEC. 4801, ET SEQ.).

THIS DRAWING IS A CONTROLLED DOCUMENT.

MANUNATH G. M. 27-May-15
 CHARLES THOMAS 27-May-15
 CHARLES THOMAS 27-May-15

TE Connectivity

PLUG ASSEMBLY
 AMPLIMITE 8C8
 COAX MIX, SIZE 4

SIZE: A1 CASE CODE: 00779 DRAWING NO: 446405
 WEIGHT: ---

CUSTOMER DRAWING SCALE: 4:1 SHEET: 1 of 1 REV: T