

DRAWING MADE IN THIRD ANGLE PROJECTION

THIS DRAWING IS UNPUBLISHED. RELEASED FOR PUBLICATION .19  
 © COPYRIGHT 19 BY AMP INCORPORATED, HARRISBURG, PA. ALL INTERNATIONAL RIGHTS RESERVED. AMP PRODUCTS MAY BE COVERED BY U.S. AND FOREIGN PATENTS AND/OR PATENTS PENDING.

PROD  
3346  
CODE

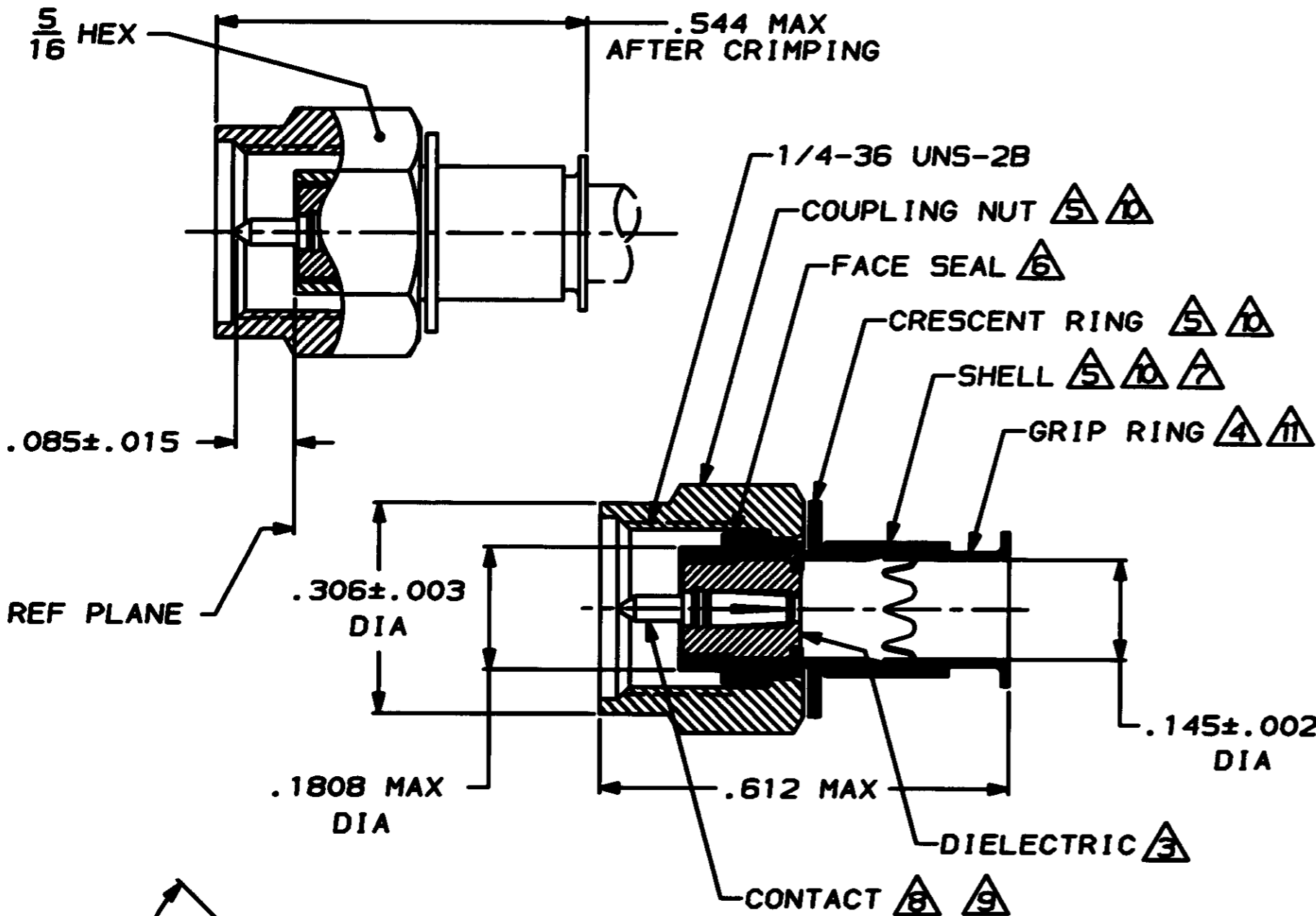
LOC  
DF

DIST  
X0

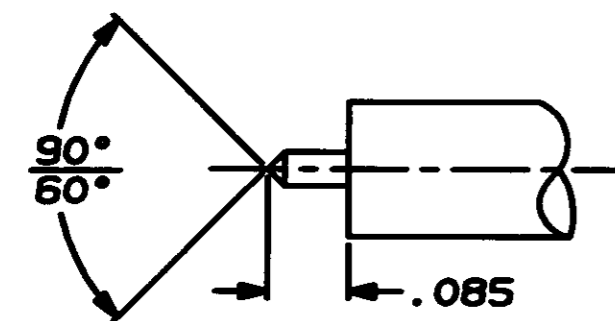
P  
P

REVISIONS

ZONE	LTR	DESCRIPTION	DATE	APPROVED
	0	REL PER 89-3439-004		
✓	A	REV PER DF-6326 CT	1-93	JC



- FOR USE WITH: RG-402/U OR M17/130-0001, .141<sup>+</sup>.002<sub>-.001</sub> SEMI-RIGID CABLE.
- SEE I.S. 6788
- PTFE PER MIL-P-19468
- BRASS PER MIL-C-50
- STAINLESS STEEL PER ASTM-A-582
- SILICONE RUBBER PER ZZ-R-765
- SEALANT
- BERYLLIUM COPPER PER QQ-C-530
- GOLD PL PER MIL-G-45204
- PASSIVATION PER QQ-P-35
- NICKEL PL PER QQ-N-290
- .500 MIN LENGTH OF STRAIGHT CABLE REQUIRED TO APPLY THE CONNECTOR
- FREQUENCY RANGE: 0 TO 26.5 GHZ



RECOMMENDED STRIP LENGTH

UNLESS OTHERWISE SPECIFIED DIMENSIONS ARE IN INCHES TOLERANCES ON:		DR 8-38-88		446863-1	
2 PL DEC * .005		E.PASS		PART NO	
3 PL DEC * .005		CHK 8-38-88		AMP INCORPORATED	
ANGLES * .005		E.LABEL		Harrisburg, Pa. 17105	
MATERIAL		APPD 10-18-88		NAME	
3 THRU 8		E.PASS		PLUG, WEATHERPROOF, SERIES SMA	
FINISH		PRODUCT SPEC 108-12089		SIZE	
9 10 11		APPLICATION SPEC		B	
		WEIGHT		PSCH NO 00779	
				DRAWING NO 446863	
				SCALE 5:1	
				SHEET 1 OF 1	

CUSTOMER DRAWING