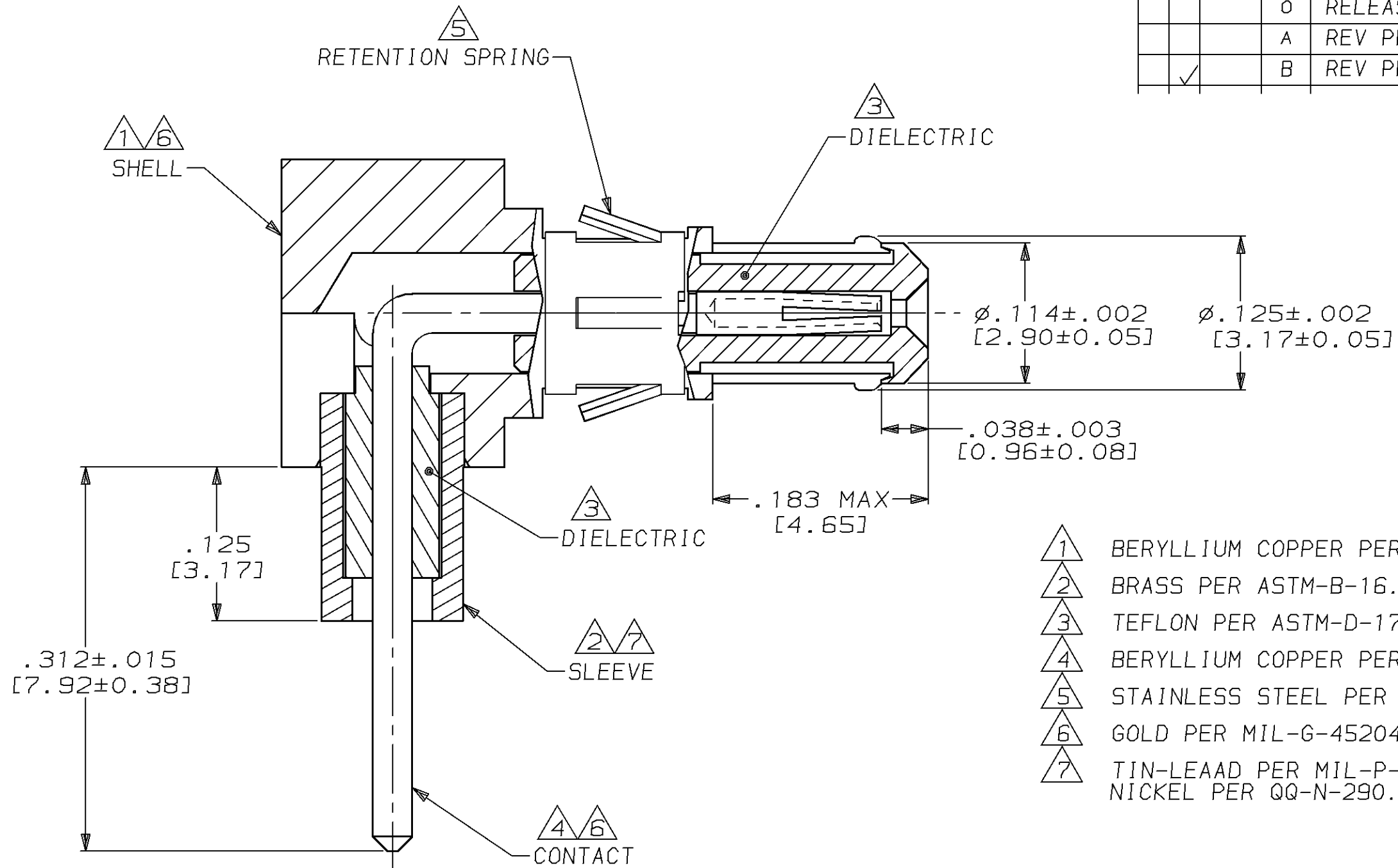


THIS DRAWING IS UNPUBLISHED. RELEASED FOR PUBLICATION, 19 .  
 © COPYRIGHT 19 BY AMP INCORPORATED. ALL INTERNATIONAL RIGHTS RESERVED.

PROD 3349  
 LOC DF  
 DIST XO  
 P F

		REVISIONS			
ZONE	LTR	DESCRIPTION	DATE	APPD	
	0	RELEASED PER 0600-1806-94	CT	3-94	JC
	A	REV PER 0600-2086-94	TT	10-94	JC
✓	B	REV PER 0600-2468-94	CT	1-95	JC



- 1 BERYLLIUM COPPER PER ASTM-B-196.
- 2 BRASS PER ASTM-B-16.
- 3 TEFLON PER ASTM-D-1710.
- 4 BERYLLIUM COPPER PER ASTM-B-197.
- 5 STAINLESS STEEL PER QQ-S-766
- 6 GOLD PER MIL-G-45204 OVER NICKEL PER QQ-N-290.
- 7 TIN-LEAD PER MIL-P-81728 OVER NICKEL PER QQ-N-290.

449864-1  
 PART NO.

THIS DRAWING IS A CONTROLLED DOCUMENT FOR AMP INCORPORATED. IT IS SUBJECT TO CHANGE AND THE CONTROLLING ENGINEERING ORGANIZATION SHOULD BE CONTACTED FOR THE LATEST REVISION.

DO NOT SCALE PRINT. UNLESS SPECIFIED DIMENSIONS IN INCHES [mm]	DR 3-15-94 C.C. THOMAS
TOLERANCES ON:	CHK 3-15-94 J. CABARLO
2 PLC DEC ± -	APPD 3-15-94 J. CABARLO
3 PLC DEC ± .005 [0.13]	RLSE 3-15-94 C.C. THOMAS
ANGLES ± -	PRODUCT SPEC -
MATERIAL SEE CALLOUTS	APPLICATION SPEC -
FINISH SEE CALLOUTS	WEIGHT -

<b>AMP</b> AMP Incorporated Harrisburg, PA 17105-3608		
NAME PIN ASSY, RT ANGLE, MICROMINIATURE		
SIZE B	CAGE CODE 00779	DRAWING NO C-449864
SCALE 10:1	SHEET 1 OF 1	