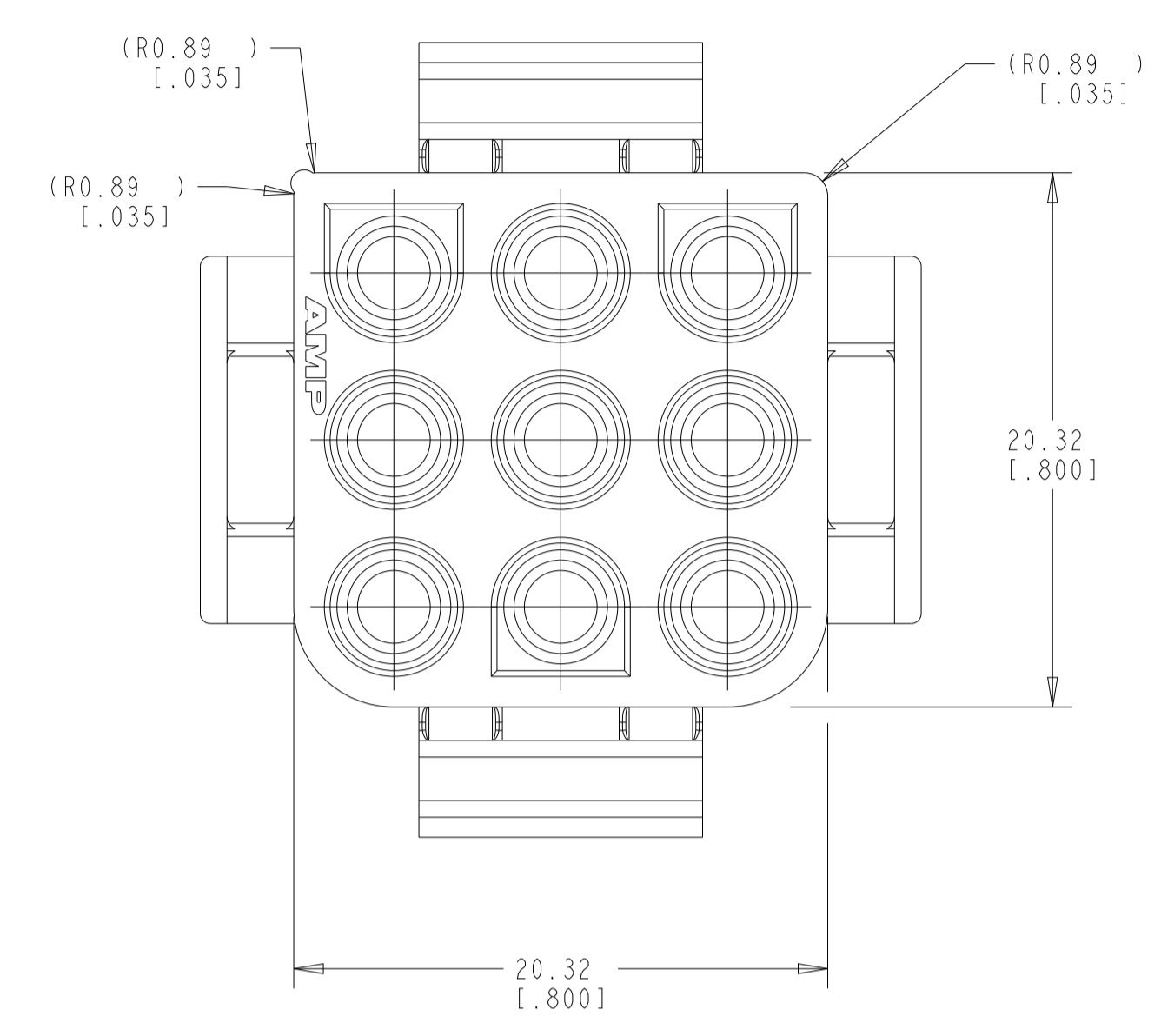
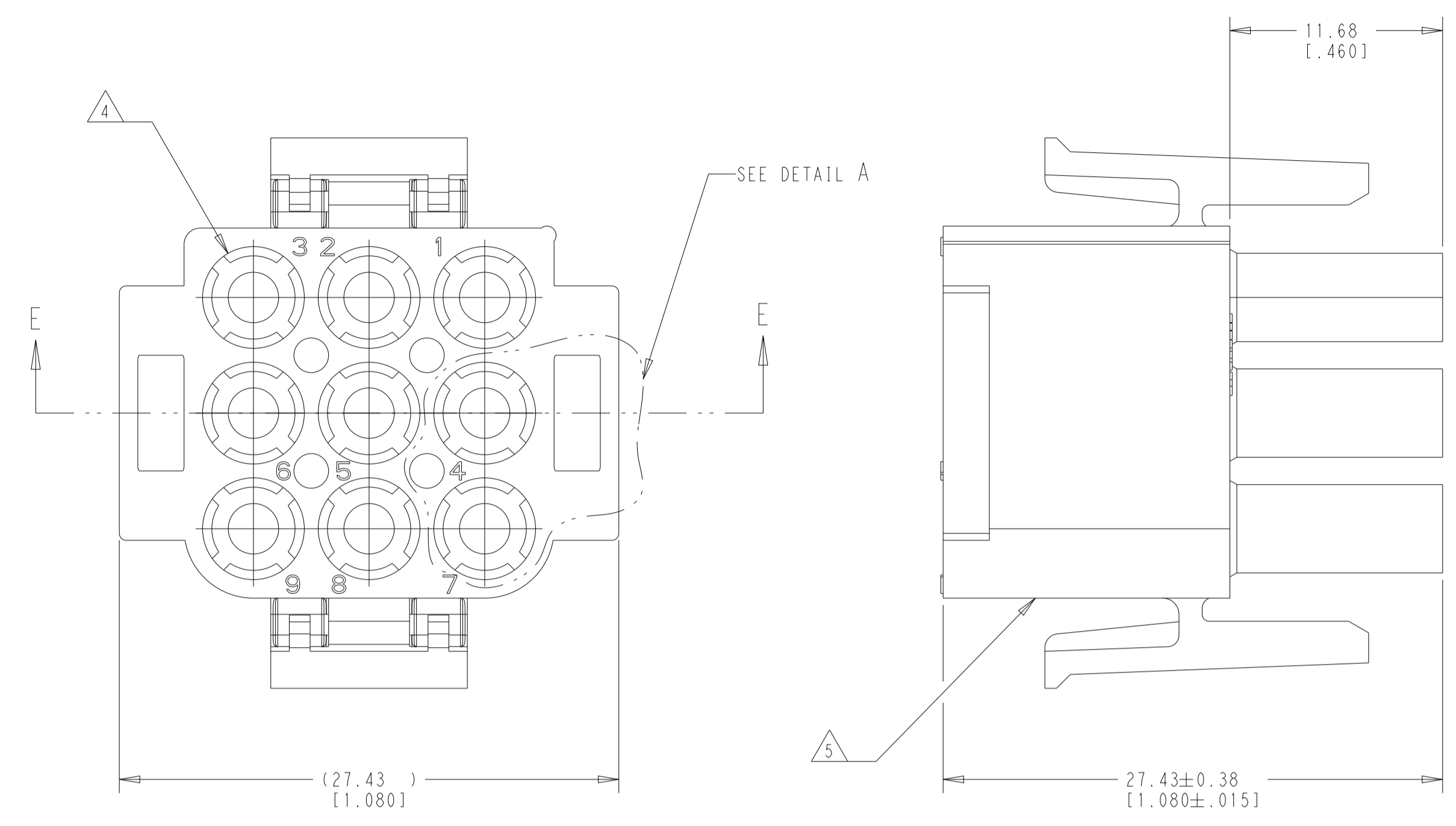
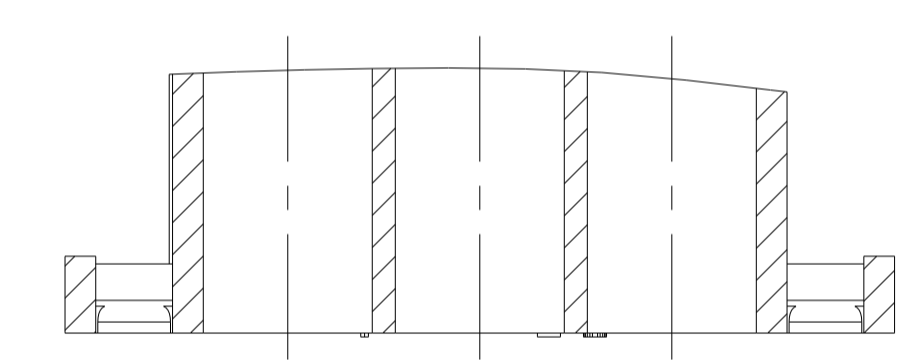


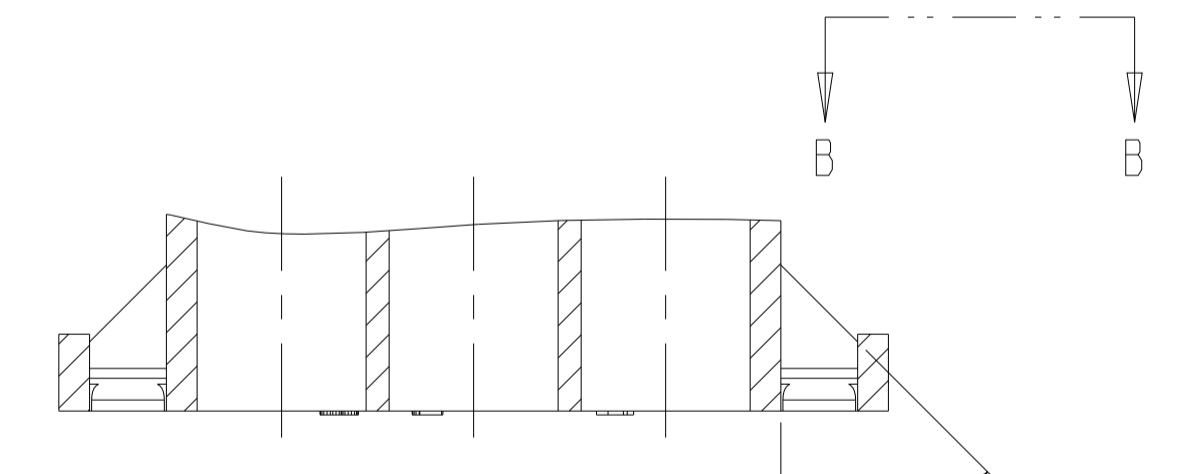
REVISIONS				
P	LTN	DESCRIPTION	DATE	APVD
AL1		REVISED PER ECR-17-008392	26 JUN 2017	BW KR
AM		REVISED PER ECR-24-218682	09 SEP 2024	AK BR



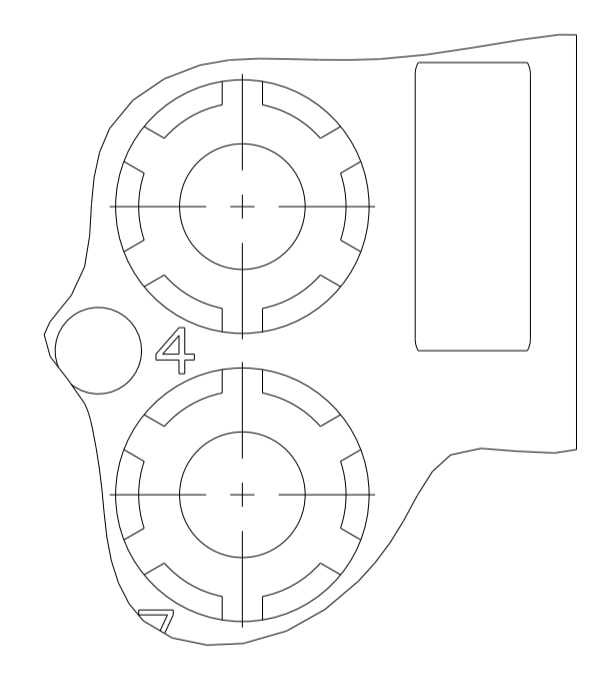
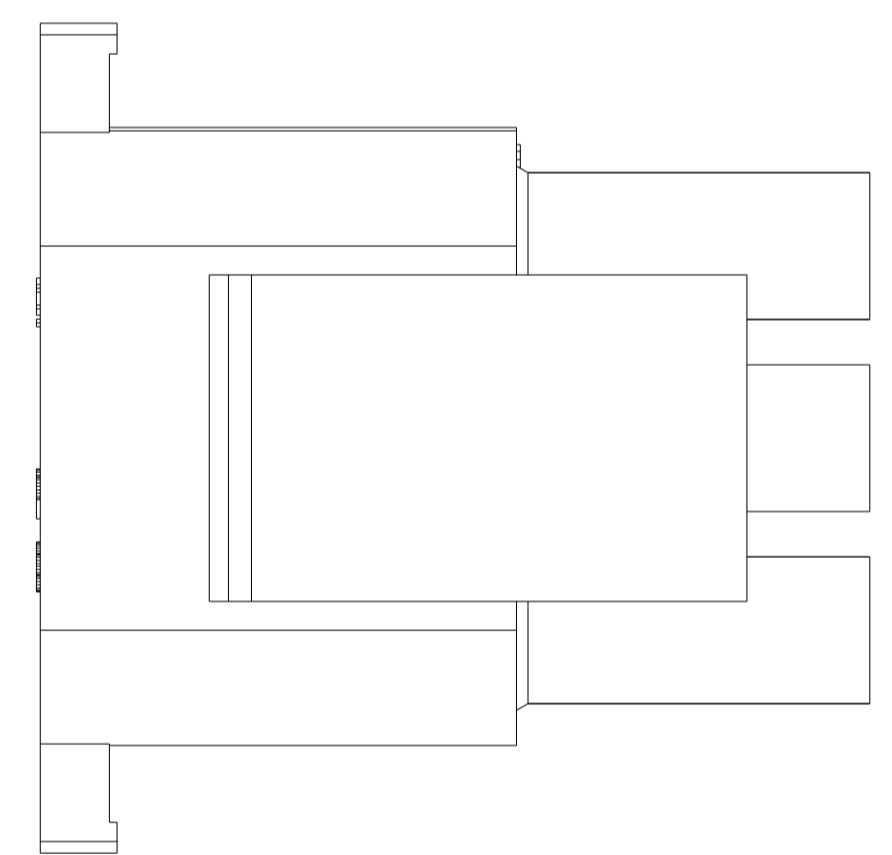
- MATES WITH APPROPRIATE UNIVERSAL MATE-N-LOK™ CAP OR HEADER.
  - SMALL NICKS ARE PERMITTED ON THE CIRCUIT TOWERS WHICH COULD INCREASE THE INITIAL HOUSING MATING FORCE BY UP TO 4.4 NEWTONS [1.0 LBS]. NO INDIVIDUAL NICKED TOWER SHALL INCREASE THIS FORCE BY OVER 2.2 NEWTONS [.5 LBS].
  - DIMENSIONS SHOWN REPRESENT PRODUCT IN DRY, AS MOLDED, CONDITION. ADDITIONAL 2% GROWTH DUE TO SUBSEQUENT MOISTURE ABSORPTION MAY OCCUR AND SHOULD BE ACCOUNTED FOR.
- △4 FOUR RIBS EQUALLY SPACED, NO SPECIFIC ORIENTATION, OR SIX RIBS EQUALLY SPACED, NO SPECIFIC ORIENTATION, OPTIONAL.
  - △5 UNDERWRITERS RECOGNIZED COMPONENT LOGO AND CSA CERTIFICATION LOGO TO BE LOCATED ONCE EACH ON SIDE OF HOUSING.
  - △6 OBSOLETE PARTS: OBSOLETE CIS STREAMLINING PER D.RENAUD/D.SINISI



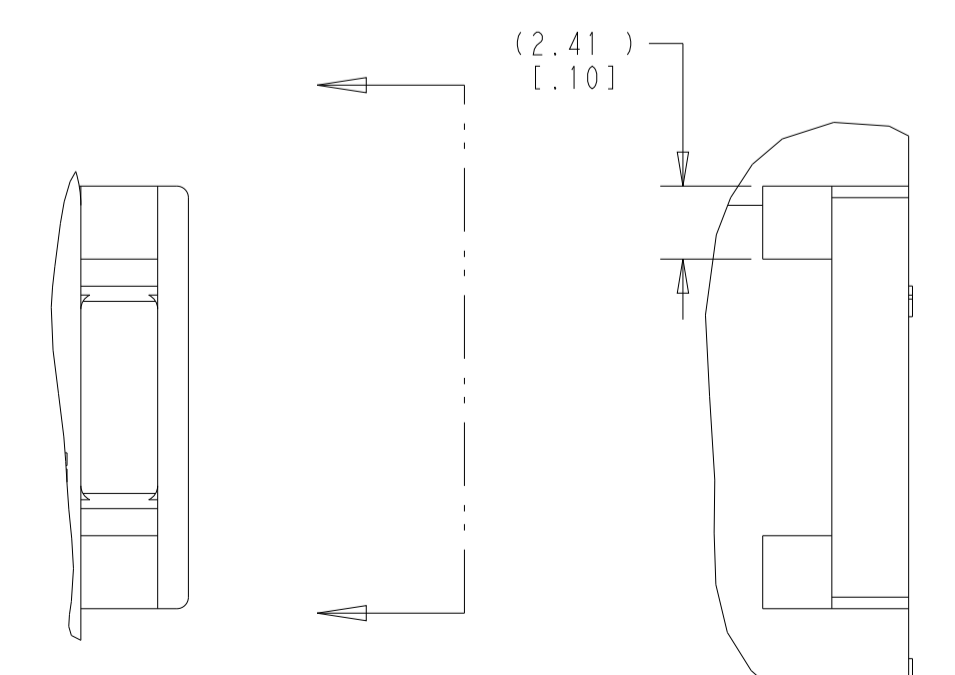
PARTIAL SECTION E-E



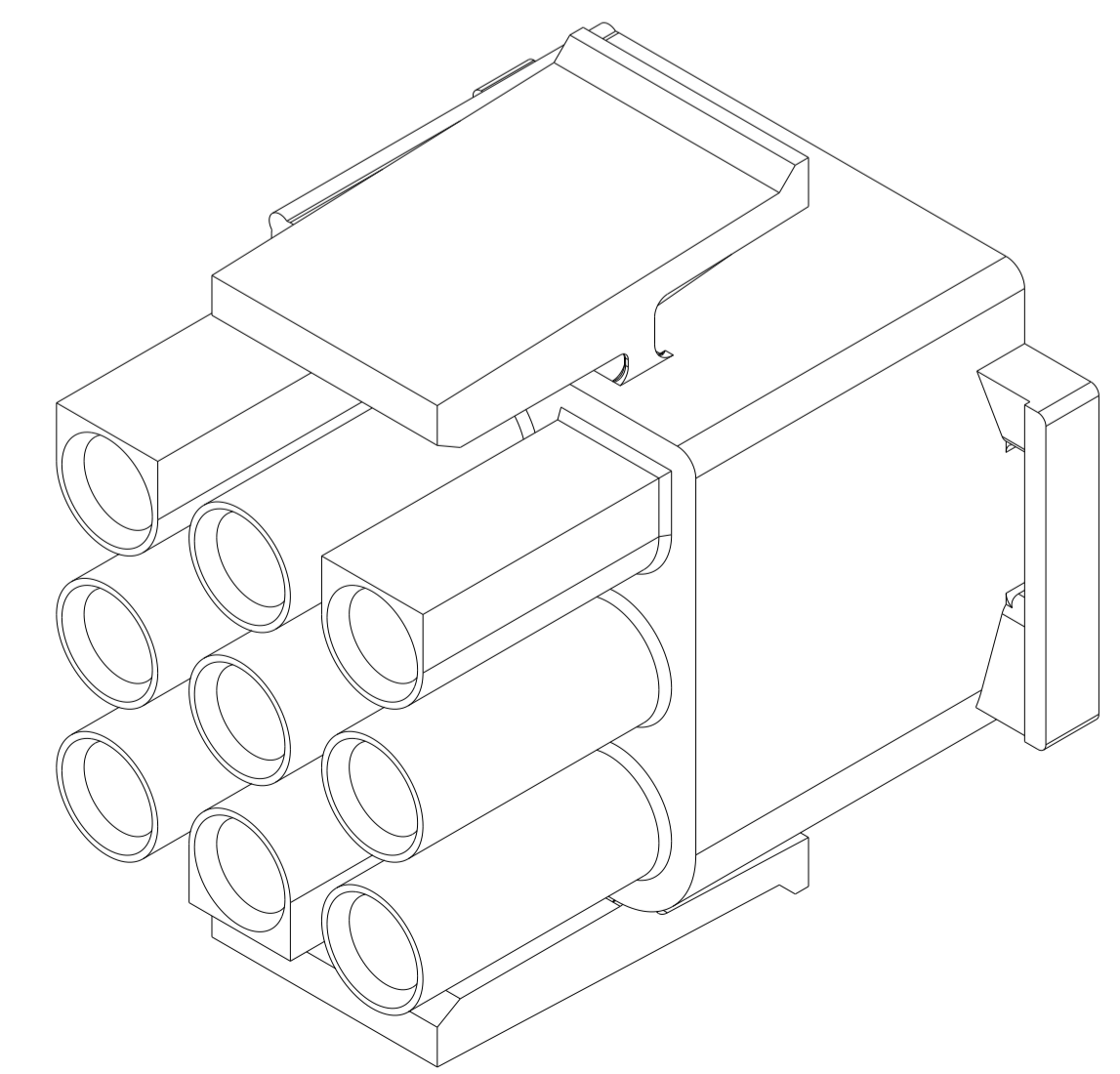
PARTIAL SECTION E-E  
OPTIONAL CONSTRUCTION



PARTIAL DETAIL A △4  
SCALE 6:1  
OPTIONAL CONSTRUCTION



VIEW B  
OPTIONAL CONSTRUCTIONS



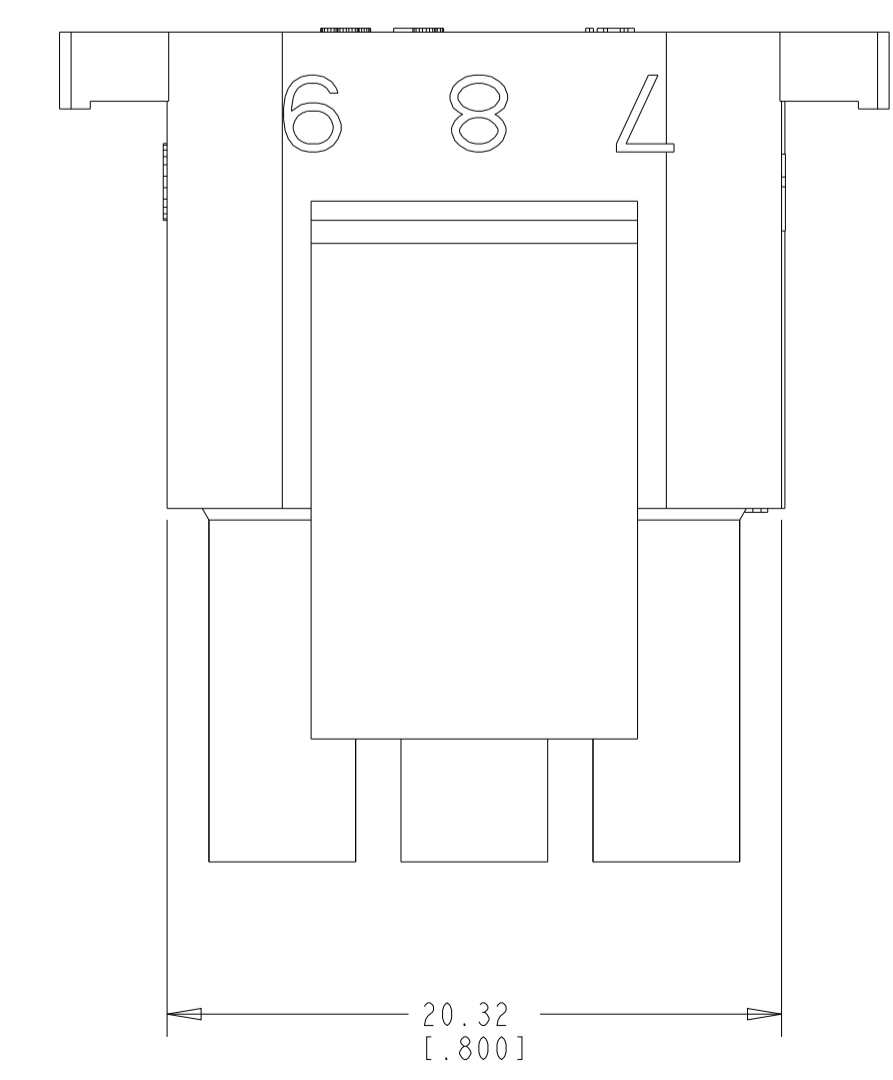
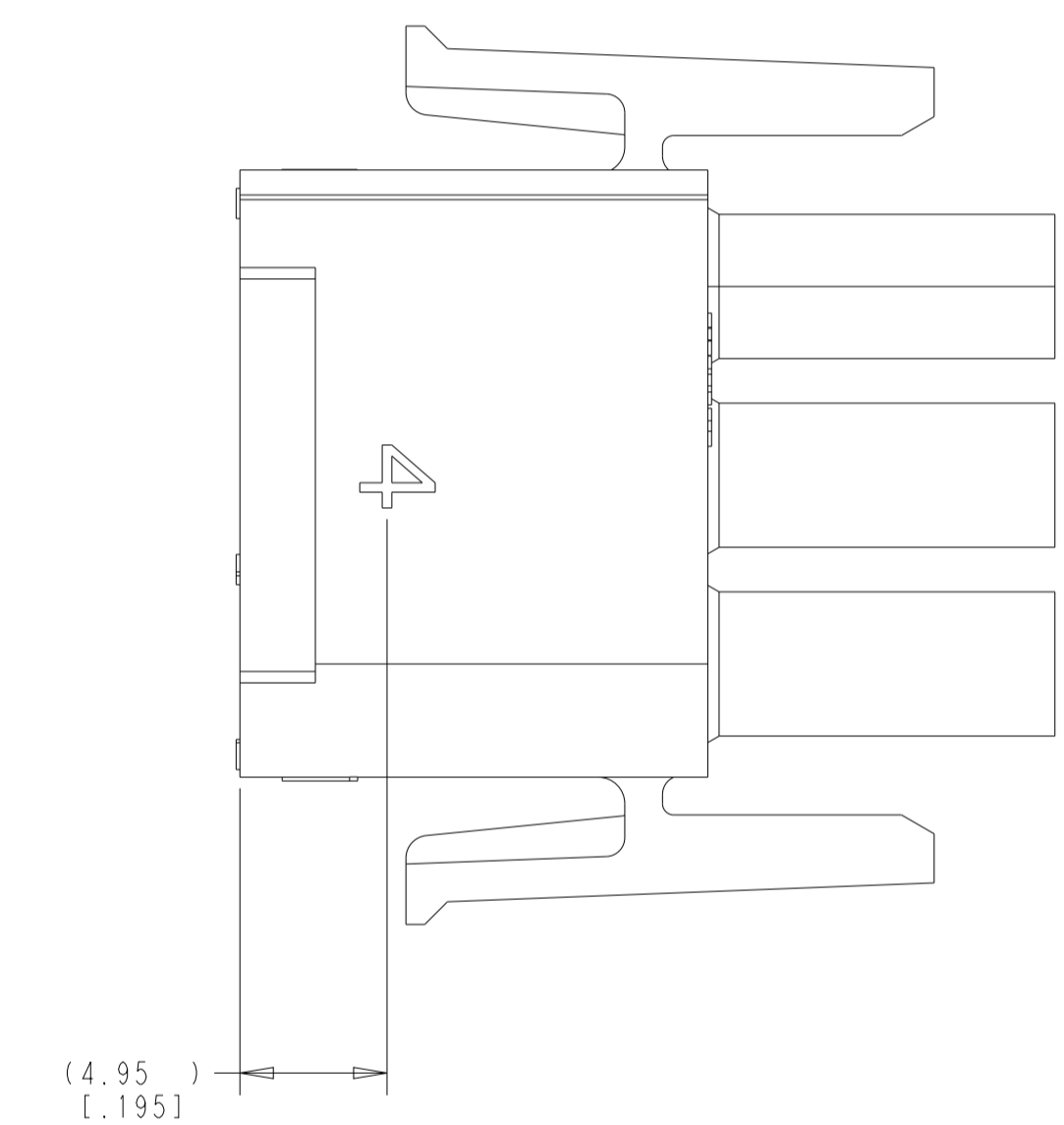
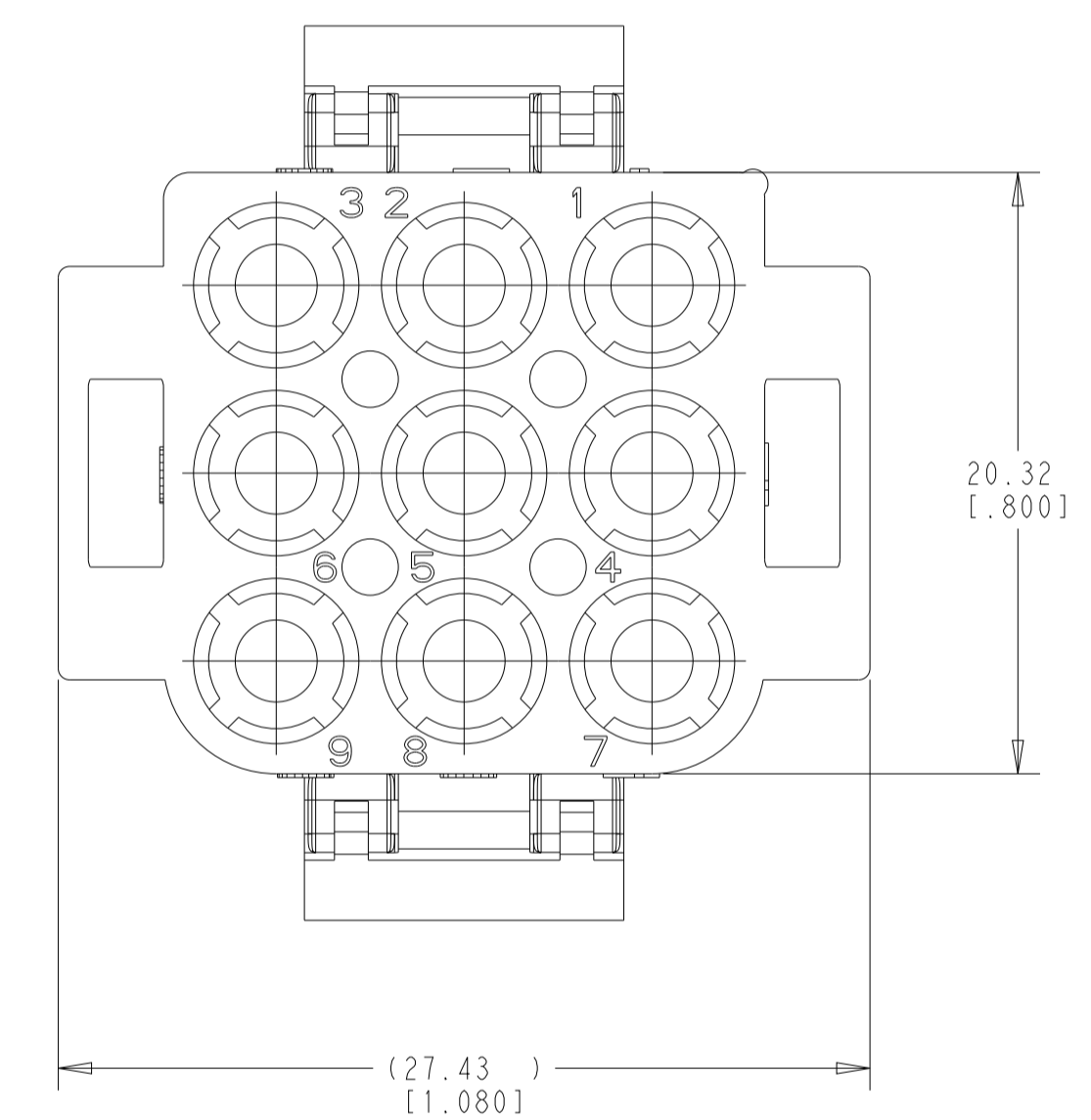
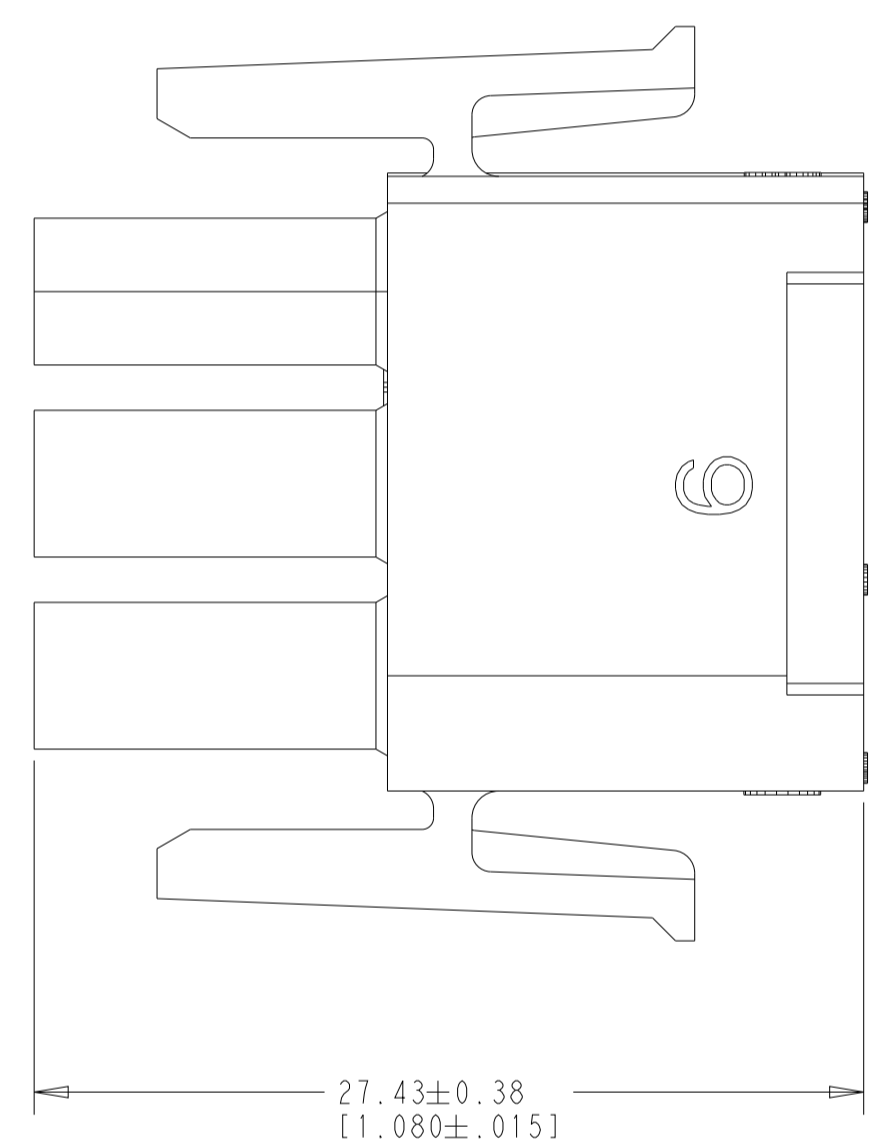
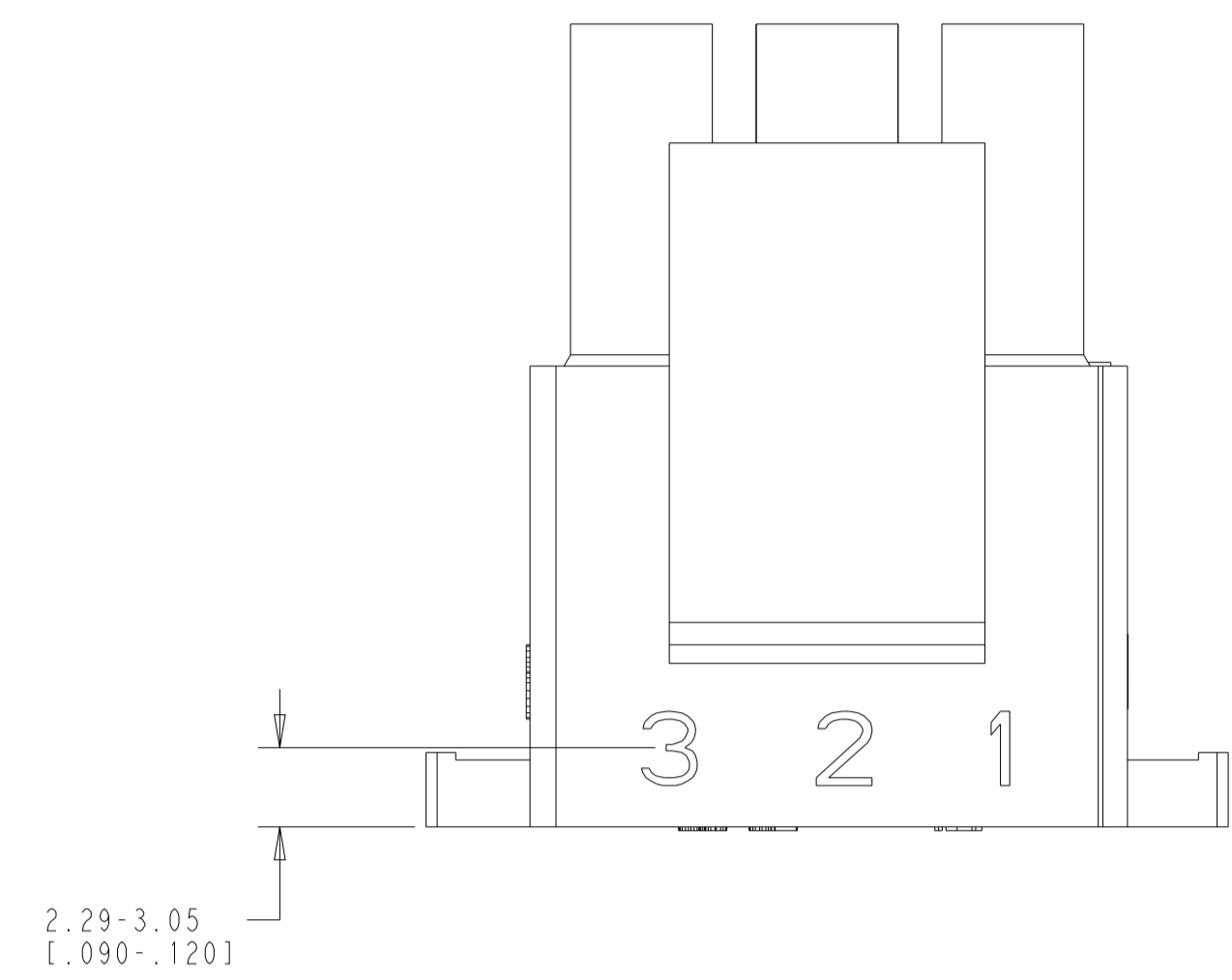
	BLACK	1-480706-9
△6	OBSOLETE	GRAY 1-480706-8
△6	SUPERCEDED BY 1-480706-0	BLUE 1-480706-6
△6	OBSOLETE	GREEN 1-480706-5
△6	OBSOLETE	YELLOW 1-480706-4
△6	OBSOLETE	ORANGE 1-480706-3
	RED	1-480706-2
	BROWN	1-480706-1
	NATURAL	1-480706-0
	COLOR	PART NO.

THIS DRAWING IS A CONTROLLED DOCUMENT.

DIMENSIONS: mm [INCHES]	TOLERANCES UNLESS OTHERWISE SPECIFIED: 0 PLC ± 1 PLC ± 2 PLC ±0.13 [1.005] 3 PLC ± 4 PLC ± ANGLES ±40°30'	DWN K. WHITAKER 01SEP2004 CHK S. RIDGILL 01SEP2004 APVD S. RIDGILL 01SEP2004	NAME PLUG, 9 CIRCUIT, UNIVERSAL MATE-N-LOK
MATERIAL NYLON, UL94V-2	FINISH	APPLICATION SPEC	SIZE CAGE CODE DRAWING NO A   00779 C=480706
		RESTRICTED TO	SCALE 4:1 SHEET 1 OF 2 REV AM

CUSTOMER DRAWING

REVISIONS				
P	LTN	DESCRIPTION	DATE	APVD
-	-	SEE SHEET 1	-	-



1. STAMP NUMBERS 3.18 [ .125] HIGH AT WIRE END OF HOUSING (12 POINT DAVID TYPE).
2. CHARACTERS TO BE POSITIONED ON HOUSING TO BE READ FROM WIRE END ONLY.
3. VIOLET, BLACK, BROWN, AND BLUE COLORED BLOCKS TO BE STAMPED WITH WHITE CHARACTERS. ALL OTHER COLORED BLOCKS TO BE STAMPED WITH BLACK CHARACTERS.

NATURAL	2-480706-0
COLOR	PART NUMBER

THIS DRAWING IS A CONTROLLED DOCUMENT.		DWN: K. WHITAKER 01SEP2004 CHK: S. RIDGILL 01SEP2004 APVD: S. RIDGILL 01SEP2004	NAME: PLUG, 9 CIRCUIT, UNIVERSAL MATE-N-LOK PRODUCT SPEC: - APPLICATION SPEC: -
DIMENSIONS: mm [INCHES]	TOLERANCES UNLESS OTHERWISE SPECIFIED: 0 PLC ± 1 PLC ± 2 PLC ±0.13 [1.005] 3 PLC ± 4 PLC ± ANGLES ±0°30' FINISH -	SIZE: A CAGE CODE: 00779 DRAWING NO: 480706	RESTRICTED TO: - SCALE: 5:1 SHEET: 2 OF 2 REV: AM
MATERIAL: NYLON, UL94V-2		WEIGHT: -	CUSTOMER DRAWING