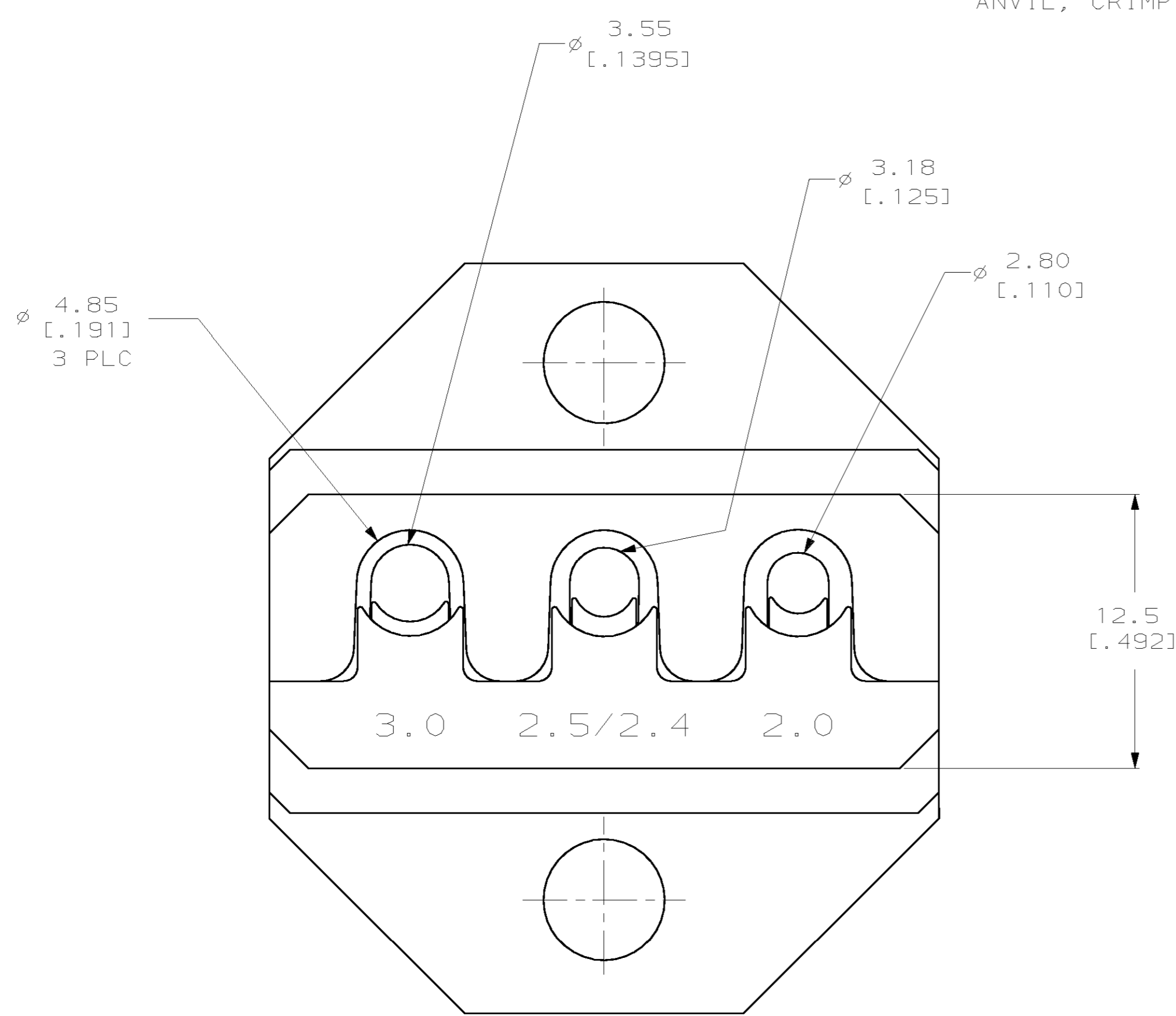
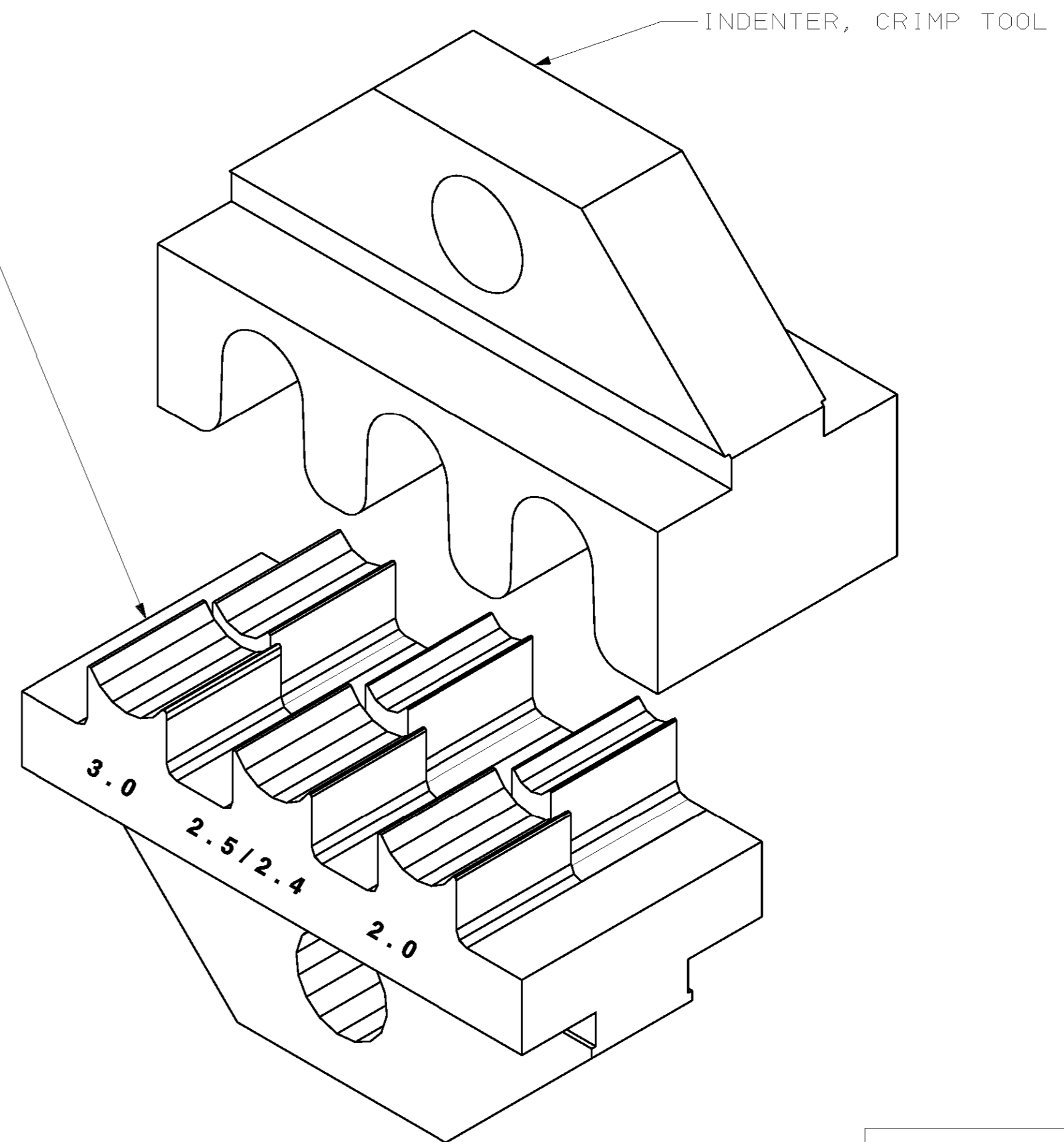


THIS DRAWING IS UNPUBLISHED. RELEASED FOR PUBLICATION .19
 © COPYRIGHT 19 BY AMP INCORPORATED. ALL RIGHTS RESERVED.

LOC		DIST		REVISIONS			
P	LTR	DESCRIPTION		DATE	DWN	APVD	
CE	16	B	REV PER	0A00-0364-00	5-24-00	DDE	SM



ANVIL, CRIMP TOOL



INDENTER, CRIMP TOOL

492025-1
PART NUMBER

<small>THIS DRAWING IS A CONTROLLED DOCUMENT FOR AMP INCORPORATED. IT IS SUBJECT TO CHANGE AND THE CONTROLLING ENGINEERING ORGANIZATION SHOULD BE CONTACTED FOR THE LATEST REVISION.</small>		DWN	B. BRIGGS	5-22-96	AMP Incorporated Harrisburg, PA 17105-3608	
DIMENSIONS: mm (INCHES)		CHK	B. PARKER	5-22-96		
		APVD	D. STAKEM	5-22-96		
TOLERANCES UNLESS OTHERWISE SPECIFIED: 0 PLC ± 1 PLC ± 2 PLC ±0.13 [.005] 3 PLC ± 4 PLC ± ANGLES ± FINISH -		NAME	DIESET, PROCRIMPER, AMP SC/FC, DUAL CRIMP, 3.0mm, 2.5/2.4mm, 2.0mm			
MATERIAL -		PRODUCT SPEC	-		SIZE	A2
		APPLICATION SPEC	-		CAGE CODE	00779
		WEIGHT	-		DRAWING NO	C-492025
		CUSTOMER DRAWING	-		SCALE	10:1
					SHEET	1 OF 1
					REV	B

492025