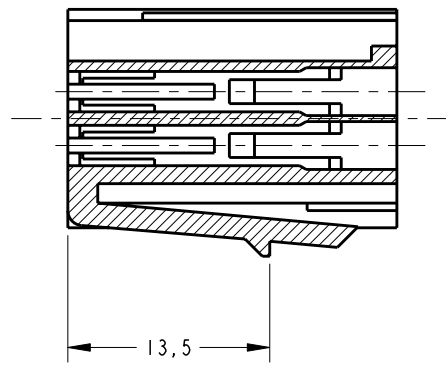
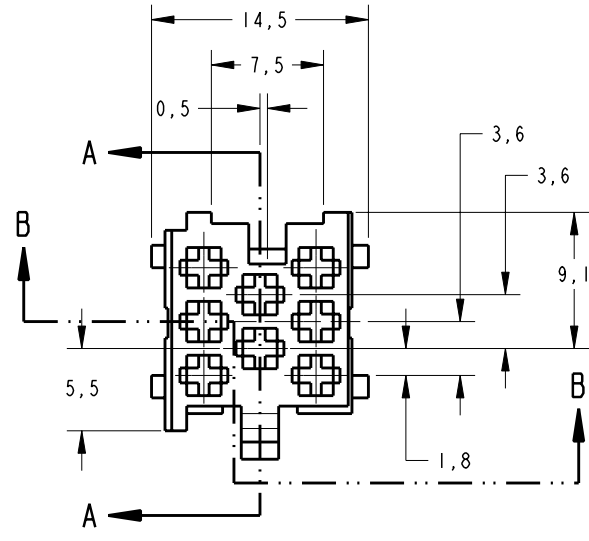
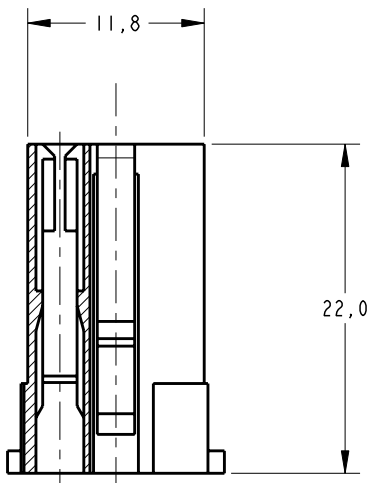
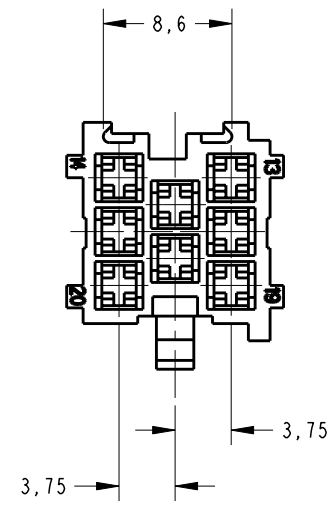


THIS DRAWING IS UNPUBLISHED. RELEASED FOR PUBLICATION
 © COPYRIGHT 20 ALL RIGHTS RESERVED.

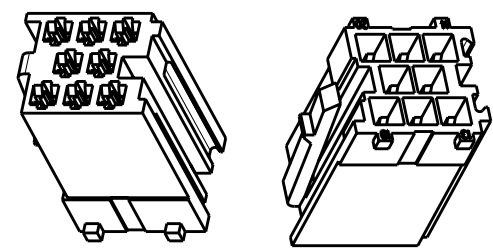
LOC	DIST	REVISIONS			
P	LTR	DESCRIPTION	DATE	DWN	APVD
AP	-	B CHANGE STATUS ECO-11-009151	19MAY2011	NCL	MG



SECTION A-A



SECTION B-B



PERSPECTIVE VIEW
SCALE 2:1

GRAVAÇÃO MARKING
NOMENCLATURA MATERIAL MATERIAL NOMENCLATURE
NÚMERO CAVIDADE CAVITY NUMBER
IDENTIFICAÇÃO CIRCUITO CIRCUIT IDENTIFICATION
REV+ LETRA REV.DA PEÇA REV.+ PART REV.LETTER

RAW MAT'L NO	AZUL / BLUE	PBT	493487-2
FINISH	MATERIAL	PART NUMBER	
THIS DRAWING IS A CONTROLLED DOCUMENT.		TE Connectivity	
DIMENSIONS: mm	TOLERANCES UNLESS OTHERWISE SPECIFIED:	NAME	
0 PLC ±	1 PLC ±0,3	HOUSING, 8 POSN., MICRO TIMER	
2 PLC ±0,2	3 PLC ±	SIZE	CAGE CODE DRAWING NO
4 PLC ±	ANGLES ±1°	A2	00779 ©-493487
MATERIAL	FINISH	WEIGHT	RESTRICTED TO
SEE TABLE	SEE TABLE	-	-
CUSTOMER DRAWING		SCALE	SHEET OF REV
		3:1	B