

THIS DRAWING IS UNPUBLISHED.

RELEASED FOR PUBLICATION

© COPYRIGHT - By -

ALL RIGHTS RESERVED.

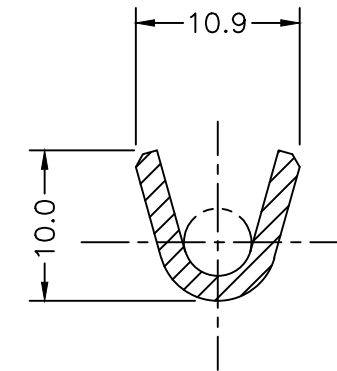
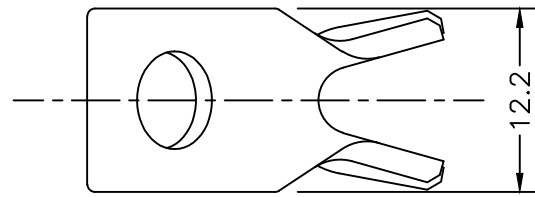
CAD AutoCAD  
DO NOT REVISE EXCEPT BY CAD

LOC AP

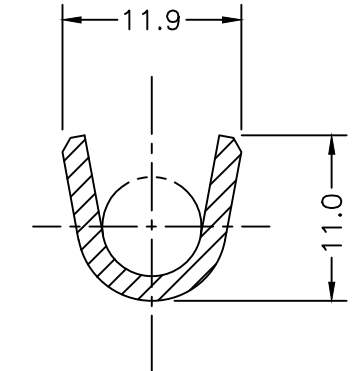
DIST -

REVISIONS

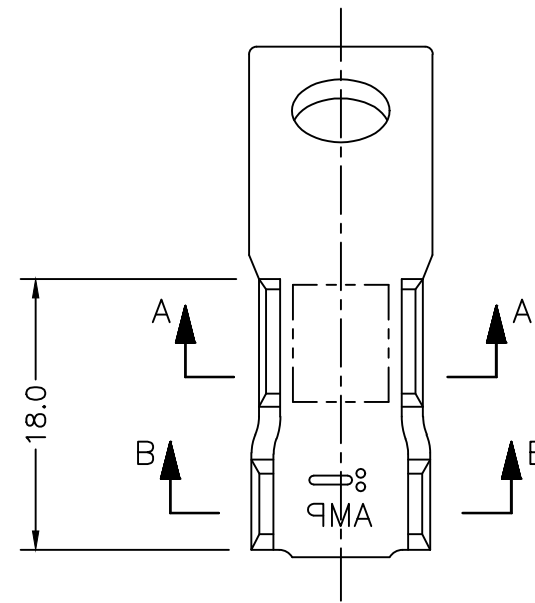
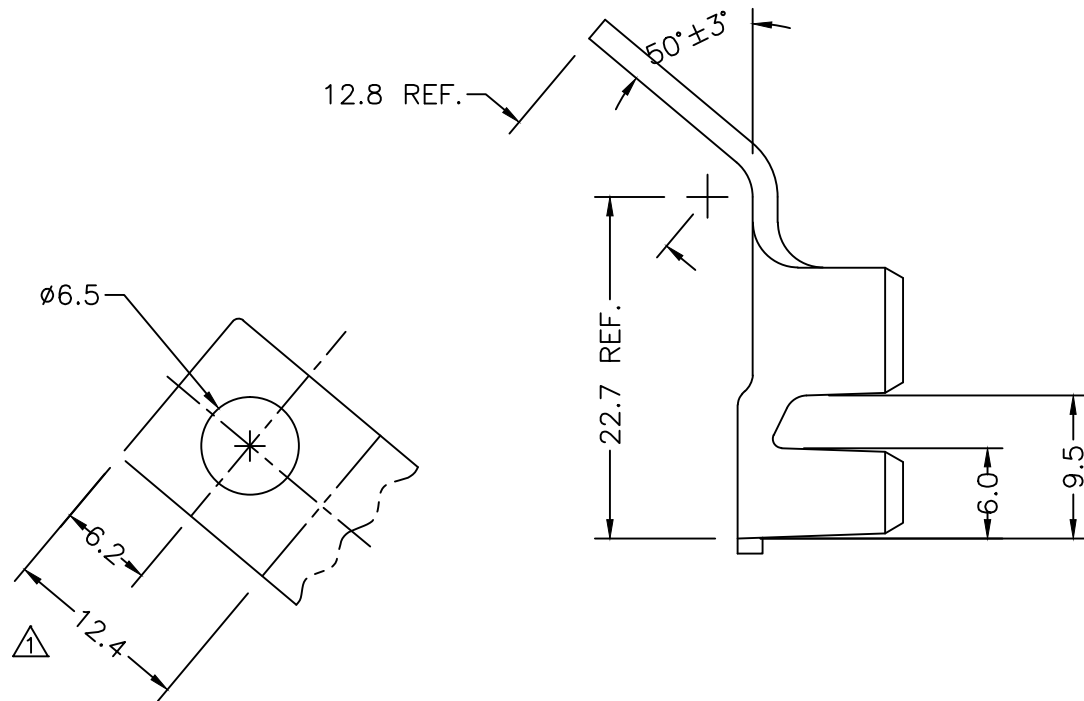
P	LTR	DESCRIPTION	DATE	DWN	APVD
	A	REVISED DRAWING ECO-14-013533	10SEP2014	NCL	CS



SECTION A-A



SECTION B-B



△ - ÁREA LISA MIN.

△ - FLAT AREA MIN.

WIRE RANGE (mm <sup>2</sup> )	10,0	INSUL. RANGE (Ø mm)	6,8-7,2	ESTANHADO/TIN PLATED	LATÃO / BRASS	493620-1
WDW	21,5	IDW	26,0	FINISH	MATERIAL	PART NUMBER

THIS DRAWING IS A CONTROLLED DOCUMENT.		DWN	A.PERUSSI	04FEB00	 TE Connectivity	NAME TERMINAL RING TONGUE
		CHK	P.L.FARIA	04FEB00		
		APVD	L.G.DALTO	04FEB00		
		PRODUCT SPEC	-	-		
DIMENSIONS: mm		TOLERANCES UNLESS OTHERWISE SPECIFIED:			APPLICATION SPEC	-
		0 PLC	± -		SIZE	A3
		1 PLC	± 0,2		CAGE CODE	00779
MATERIAL		2 PLC	± -		DRAWING NO	C=493620
SEE TABLE		3 PLC	± -		RESTRICTED TO	-
FINISH		4 PLC	± -		SCALE	2:1
SEE TABLE		ANGLES	± 1°		SHEET	1 OF 1
					REV	A
CUSTOMER DRAWING						