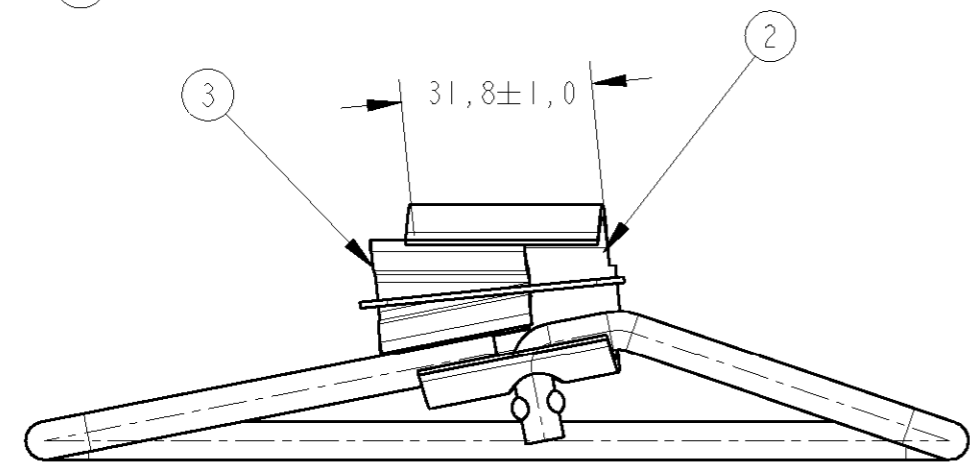
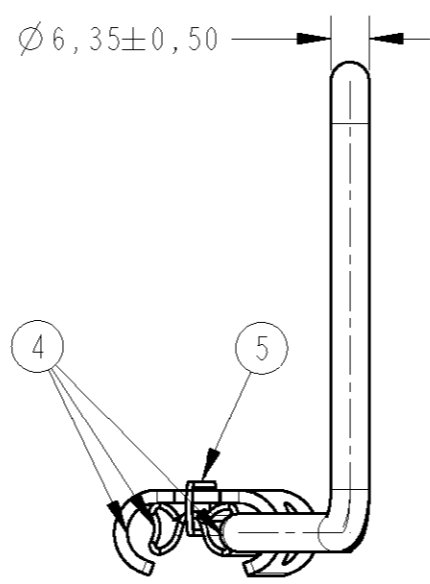
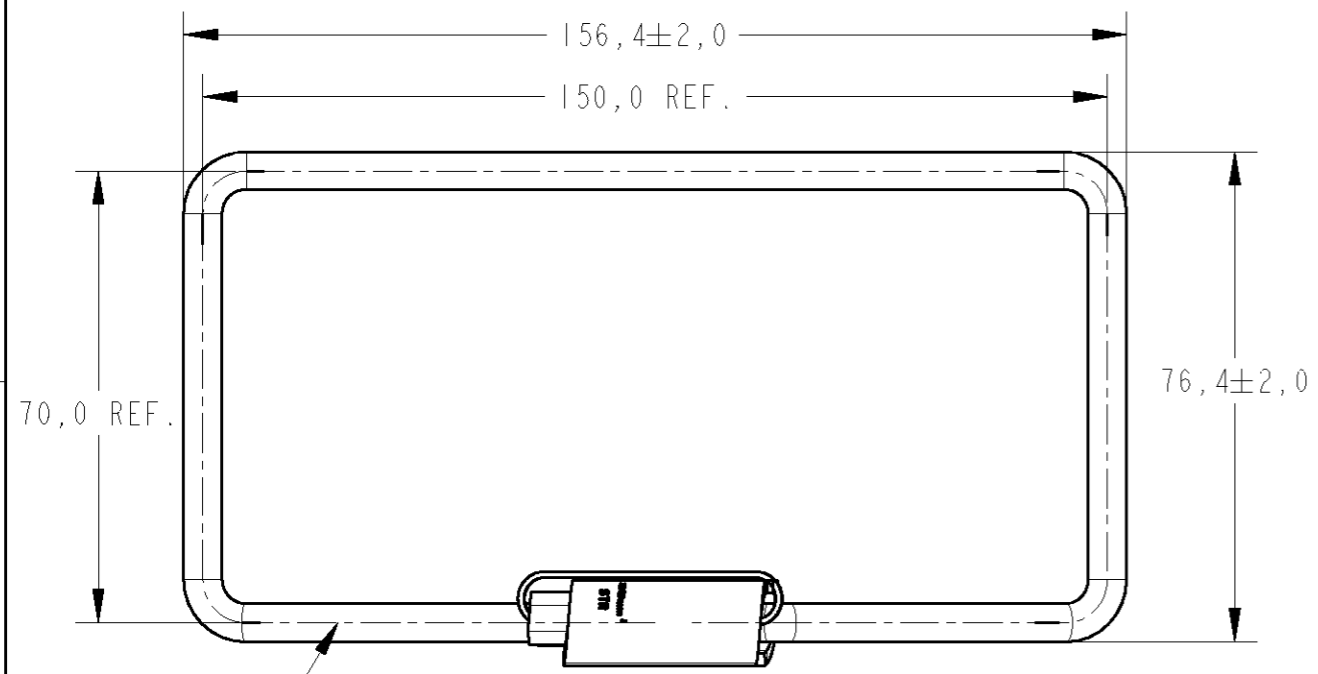


THIS DRAWING IS UNPUBLISHED. RELEASED FOR PUBLICATION .19  
 © COPYRIGHT 19 BY AMP INCORPORATED. ALL RIGHTS RESERVED.

**CAD**  
**Pro-E**  
 DO NOT REVISE  
 EXCEPT BY CAD

LOC AP  
 DIST -

REVISIONS					
P	LTR	DESCRIPTION	DATE	DWN	APVD
	C	REVISED BY EC LB00-0430/01	11OCT2001	VF	JAL



1 - SUPPLIED IN INDIVIDUAL PLASTIC PACKAGING

2 - ENGRAVING PART NUMBER AMP.

3 - WIRE RANGE:

AWG	mm <sup>2</sup>
2STR AAC, 2STR COMP. 2SOL.	35STR AAC AND 35STR COMP.
4STR ACSR, 4STR AAC, 4STR COMP AND 4SOL.	25STR AAC AND 25STR COMP.
6STR ACSR AND 6STR AAC.	16STR AAC AND 16STR COMP.

4 - SUM OF DIAMETER SELECTION:

PART NUMBER	SUM		RUN CABLE		STIRRUP
	MAX.	MIN.	MAX.	MIN.	
493749-1	14,01	10,60	7,66	4,25	Ø 6,35

1 - FORNECIDO EM EMBALAGEM PLÁSTICA INDIVIDUAL

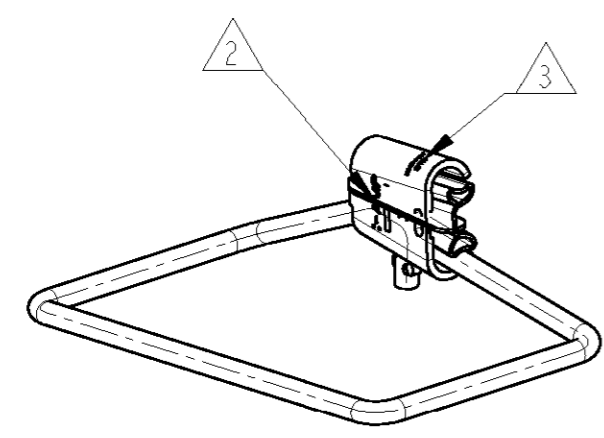
2 - GRAVAÇÃO DO PN. AMP.

3 - WIRE RANGE:

AWG	mm <sup>2</sup>
2STR AAC, 2STR COMP. 2SOL.	35STR AAC AND 35STR COMP.
4STR ACSR, 4STR AAC, 4STR COMP AND 4SOL.	25STR AAC AND 25STR COMP.
6STR ACSR AND 6STR AAC.	16STR AAC AND 16STR COMP.

4 - SOMA DOS DIÂMETROS:

PEÇA NÚMERO	SOMA		CABO PRINCIPAL		ESTRIBO
	MAX.	MIN.	MAX.	MIN.	
493749-1	14,01	10,60	7,66	4,25	Ø 6,35



REQ. PER ASS'Y	ITEM	DESCRIPTION	MATERIAL	FINISH
1	5	ROUND ELASTIC FASTENER	RUBBER	-
-	4	SYNTHETIC INHIBITOR	-	-
1	3	UDC WEDGE MEMBER	COPPER ALLOY	TIN PLATED
1	2	UDC "C" MEMBER	COPPER ALLOY	TIN PLATED
1	1	STIRRUP	COPPER ALLOY	TIN PLATED
-1				

<small>THIS DRAWING IS A CONTROLLED DOCUMENT FOR AMP INCORPORATED. IT IS SUBJECT TO CHANGE AND THE CONTROLLING ENGINEERING ORGANIZATION SHOULD BE CONTACTED FOR THE LATEST REVISION.</small>		DWN 11OCT2001 V. FUZZETTI CHK - APVD - PRODUCT SPEC - APPLICATION SPEC - WEIGHT -	<b>AMP</b> AMP do Brasil LTDA. São Paulo, Brasil NAME UDC COPPER STIRRUP TYPE I
DIMENSIONS: mm 	TOLERANCES UNLESS OTHERWISE SPECIFIED: 0 PLC ± 1 PLC ± 2 PLC ± 3 PLC ± 4 PLC ± ANGLES ± FINISH	MATERIAL SEE TABLE FINISH SEE TABLE	SIZE A3 CAGE CODE 00779 DRAWING NO. C-493749 SCALE - SHEET 1 OF 1 REV C